

HP Pavilion dv6500 and dv6600 Entertainment
PC
Maintenance and Service Guide



© Copyright 2007 Hewlett-Packard
Development Company, L.P.

Bluetooth is a trademark owned by its proprietor and used by Hewlett-Packard Company under license. AMD, the AMD Arrow logo, and combinations thereof, are trademarks of Advanced Micro Devices, Inc. Intel and Core are trademarks or registered trademarks of Intel Corporation or its subsidiaries in the United States and other countries. Microsoft, Windows, and Windows Vista are either trademarks or registered trademarks of Microsoft Corporation in the United States and/or other countries. SD Logo is a trademark of its proprietor.

The information contained herein is subject to change without notice. The only warranties for HP products and services are set forth in the express warranty statements accompanying such products and services. Nothing herein should be construed as constituting an additional warranty. HP shall not be liable for technical or editorial errors or omissions contained herein.

Fourth Edition: August 2007

First Edition: April 2007

Document Part Number: 443406-004

Safety warning notice

- ⚠ **WARNING!** To reduce the possibility of heat-related injuries or of overheating the computer, do not place the computer directly on your lap or obstruct the computer air vents. Use the computer only on a hard, flat surface. Do not allow another hard surface, such as an adjoining optional printer, or a soft surface, such as pillows or rugs or clothing, to block airflow. Also, do not allow the AC adapter to contact the skin or a soft surface, such as pillows or rugs or clothing, during operation. The computer and the AC adapter comply with the user-accessible surface temperature limits defined by the International Standard for Safety of Information Technology Equipment (IEC 60950).
-

Table of contents

1 Product description

2 External component identification

| | |
|---|----|
| Display components | 7 |
| Top components | 8 |
| Lights | 8 |
| Keys | 9 |
| Buttons, speakers, and fingerprint reader | 10 |
| TouchPad | 12 |
| Front components | 13 |
| Left-side components | 14 |
| Right-side components | 15 |
| Rear component | 15 |
| Bottom components | 16 |

3 Illustrated parts catalog

| | |
|--------------------------------------|----|
| Serial number location | 17 |
| Computer major components | 18 |
| Display assembly components | 25 |
| Plastics Kit | 27 |
| Cable Kit | 28 |
| Mass storage devices | 29 |
| Miscellaneous parts | 30 |
| Sequential part number listing | 31 |

4 Removal and replacement procedures

| | |
|---|----|
| Preliminary replacement requirements | 39 |
| Tools required | 39 |
| Service considerations | 39 |
| Plastic parts | 39 |
| Cables and connectors | 40 |
| Drive handling | 40 |
| Grounding guidelines | 41 |
| Electrostatic discharge damage | 41 |
| Packaging and transporting guidelines | 42 |
| Workstation guidelines | 42 |
| Equipment guidelines | 43 |
| Unknown user password | 44 |

| | |
|--|----|
| Component replacement procedures | 45 |
| Serial number | 45 |
| Battery | 46 |
| Camera module | 47 |
| Display inverter | 49 |
| Hard drive | 51 |
| Computer feet | 53 |
| Memory module | 53 |
| RTC battery | 55 |
| WLAN module | 56 |
| Optical drive | 59 |
| Switch cover | 61 |
| Speaker assembly | 63 |
| Power button board | 64 |
| Keyboard | 65 |
| Display assembly | 68 |
| Top cover | 74 |
| Bluetooth module | 78 |
| ExpressCard assembly | 79 |
| USB/power connector board | 81 |
| System board | 82 |
| Audio board | 86 |
| Fan/heat sink assembly | 87 |
| Processor | 89 |

5 Setup Utility

| | |
|---|----|
| Starting the Setup Utility | 92 |
| Changing the language of the Setup Utility | 92 |
| Navigating and selecting in the Setup Utility | 93 |
| Displaying system information | 93 |
| Restoring default settings in the Setup Utility | 93 |
| Using advanced Setup Utility features | 94 |
| Closing the Setup Utility | 94 |
| Setup Utility menus | 94 |

6 Specifications

| | |
|--|-----|
| Computer specifications | 96 |
| 15.4-inch, WXGA, BrightView display specifications | 97 |
| Hard drive specifications | 98 |
| DVD±RW and CD-RW Super Multi Double-Layer Combo Drive specifications | 99 |
| System DMA specifications, Intel | 100 |
| System DMA specifications, AMD discrete and UMA graphics | 101 |
| System interrupt specifications, Intel | 102 |
| System interrupt specifications, AMD discrete graphics | 103 |
| System interrupt specifications, AMD UMA graphics | 104 |
| System I/O address specifications, Intel | 105 |
| System I/O address specifications, AMD discrete and UMA graphics | 107 |
| System memory map specifications, Intel | 109 |
| System memory map specifications, AMD discrete graphics | 110 |

| | |
|--|-----|
| System memory map specifications, AMD UMA graphics | 111 |
|--|-----|

7 Screw listing

| | |
|--|-----|
| Phillips PM2.0×5.0 captive screw | 113 |
| Phillips PM3.0×4.0 screw | 114 |
| Phillips PM2.0×3.0 screw | 115 |
| Phillips PM2.5×7.0 screw | 117 |
| Phillips PM2.5×5.0 screw | 120 |
| Phillips PM2.5×2.0 screw | 122 |
| Phillips PM2.5×4.0 screw | 123 |
| Hex HM5.0×9.0 standoff | 125 |
| Phillips PM2.0×2.0 screw | 126 |
| Phillips PM2.5×5.0 captive screw | 127 |
| Phillips 2.5×4.0 captive screw | 128 |

8 Backup and Recovery

| | |
|---|-----|
| Recovering system information | 129 |
| Backing up your information | 129 |
| When to back up | 129 |
| Back up suggestions | 130 |
| Using system restore points | 130 |
| When to create restore points | 130 |
| Create a system restore point | 130 |
| Restore to a previous date and time | 131 |
| Creating recovery discs | 131 |
| Reinstalling software programs and drivers | 132 |
| Reinstalling preinstalled programs and drivers | 132 |
| Reinstalling programs from discs | 132 |
| Performing a recovery | 133 |
| Recovering from the recovery discs | 133 |
| Recovering from the partition on the hard drive | 133 |
| Deleting the recovery partition on the hard drive | 134 |
| Updating reinstalled software | 134 |

9 Connector pin assignments

| | |
|-----------------------------|-----|
| Audio-in (microphone) | 135 |
| Audio-out (headphone) | 135 |
| External monitor | 136 |
| RJ-11 (modem) | 137 |
| RJ-45 (network) | 137 |
| S-Video-out | 138 |
| Universal Serial Bus | 138 |

10 Power cord set requirements

| | |
|--|-----|
| Requirements for all countries or regions | 139 |
| Requirements for specific countries or regions | 140 |

11 Recycling

| | |
|---------------|-----|
| Battery | 141 |
| Display | 141 |

| | |
|--------------------|------------|
| Index | 147 |
|--------------------|------------|

1 Product description

| Category | Description | Discrete graphics, AMD | UMA graphics, AMD | Full-featured, Intel | Defeated Intel |
|---------------------|---|------------------------|-------------------|----------------------|----------------|
| Product Name | HP Pavilion dv6500 and dv6600 Entertainment PC | ✓ | ✓ | ✓ | ✓ |
| Processors | Intel® Core™ 2 Duo processors | | | | |
| | 2.20-GHz processor, 4-MB L2 cache, 800-MHz front side bus (FSB) | | | ✓ | ✓ |
| | 2.00-GHz processor, 2-MB L2 cache, 800-MHz FSB | | | ✓ | ✓ |
| | 1.86-GHz processor, 1-MB L2 cache, 533-MHz FSB | | | ✓ | ✓ |
| | 1.50-GHz processor, 2-MB L2 cache, 667-MHz FSB | | | ✓ | ✓ |
| | Intel Core Duo processors | | | | |
| | T7300 2.0-GHz processor, 4-MB L2 cache, 800-MHz FSB | | | ✓ | ✓ |
| | T7100 1.8-GHz processor 2-MB L2 cache, 800-MHz FSB | | | ✓ | ✓ |
| | T5250 1.5-GHz processor 2-MB L2 cache, 667-MHz FSB | | | ✓ | ✓ |
| | T2330 1.6-GHz processor 1-MB L2 cache, 533-MHz FSB | | | ✓ | ✓ |
| | T2310 1.46-GHz processor 1-MB L2 cache, 533-MHz FSB | | | ✓ | ✓ |
| | Intel Celeron processor | | | | |
| | M530 1.73-GHz processor 1-MB L2 cache, 533-MHz FSB | | | ✓ | ✓ |
| | AMD processors | | | | |
| | Turion™ MK-38 (2.2-GHz, 512-MB L2 cache) | ✓ | ✓ | | |
| | Turion TL-66 (2.3 -GHz, 1-MB L2 cache) | ✓ | ✓ | | |
| | Turion TL-60 (2.0 -GHz, 1-MB L2 cache) | ✓ | ✓ | | |
| | Turion TL-58 (1.9 -GHz, 1-MB L2 cache) | ✓ | ✓ | | |

| Category | Description | Discrete graphics, AMD | UMA graphics, AMD | Full-featured, Intel | Defeatured Intel |
|-----------------|--|------------------------|-------------------|----------------------|------------------|
| | Turion TL-56 (1.8 -GHz, 1-MB L2 cache) | √ | √ | | |
| | Athlon™ TK-53 (1.7-GHz, 512-MB L2 cache) | √ | √ | | |
| Chipset | Northbridge: Intel PM965 | | | √ | |
| | Northbridge: Intel GM965 | | | | √ |
| | Southbridge: Intel ICH8m | | | √ | √ |
| | Northbridge/Southbridge: nVidia MCP67D | √ | | | |
| | Northbridge/Southbridge: nVidia MCP67M | | √ | | |
| Graphics | nVidia Discrete PCI Express x 16 Graphics nVidia NB8M-SE -GS with 128-MB of dedicated video memory (16M × 16 DDR2 × 4 PCs) with: <ul style="list-style-type: none"> • 192 MB of video memory on computer models with 512-MB system random access memory (RAM) (128-MB + 64-MB Turbo Cache) • 383 MB of video memory on computer models with 1-GB system RAM (128-MB + 255-MB Turbo Cache) • 895 MB of video memory on computer models with 2-GB system RAM (128-MB + 767-MB Turbo Cache) • 1919 MB of video memory on computer models with 4-GB system RAM (128-MB + 1535-MB Turbo Cache) System design supports up to 55 W GPU requirement. | √ | | √ | |
| | Intel Extreme Graphics (Mobile Intel Graphics Media Accelerator X3100) UMA (integrated) with shared video memory, and: <ul style="list-style-type: none"> • Up to 64 MB on computer models with 512 MB of system RAM • or, Up to 256 MB on computer models with 1024 MB or more of system RAM Memory size is a dynamic change. | | | | √ |

| Category | Description | Discrete graphics, AMD | UMA graphics, AMD | Full-featured, Intel | Defeated Intel |
|-----------------------|---|------------------------|-------------------|----------------------|----------------|
| | <p>UMA nVidia MCP67M with shared video memory, and:</p> <ul style="list-style-type: none"> Up to 128 MB on computer models with 512 MB of system RAM Up to 287 MB on computer models with 1024 MB of system RAM Up to 559 MB on computer models with 2048 MB of system RAM Up to 559 MB on computer models with 4096 MB of system RAM <p>Memory size is dynamically allocated.</p> | | ✓ | | |
| Panel | 15.4-inch, WXGA BrightView | ✓ | ✓ | ✓ | ✓ |
| Memory | 2 SODIMM slots | ✓ | ✓ | ✓ | ✓ |
| | Customer-accessible/upgradable | ✓ | ✓ | ✓ | ✓ |
| | Supports up to 4 GB of system RAM | ✓ | ✓ | ✓ | ✓ |
| | PC2-5300, DDRII (667-MHz) | ✓ | ✓ | ✓ | ✓ |
| | Supports the following configurations: | ✓ | ✓ | ✓ | ✓ |
| | <ul style="list-style-type: none"> 4096 (2048 × 2) 2048 (2048 × 1, 1024 × 2) 1536 (1024 + 512) 1024 (1024 × 1, 512 × 2) 512 (512 × 1) | | | | |
| Hard drives | Supports 9.5-mm, 2.5-inch hard drives | ✓ | ✓ | ✓ | ✓ |
| | Serial ATA | ✓ | ✓ | ✓ | ✓ |
| | Supports the following drives: | ✓ | ✓ | ✓ | ✓ |
| | <ul style="list-style-type: none"> 250-GB, 5400-rpm 200-GB, 4200-rpm 160-GB, 5400-rpm 120-GB, 5400-rpm 80-GB, 5400-rpm | | | | |
| Optical drives | Fixed (removal of 1 screw required) | ✓ | ✓ | ✓ | ✓ |
| | Parallel ATA | ✓ | ✓ | ✓ | ✓ |
| | 12.7-mm tray load | ✓ | ✓ | ✓ | ✓ |

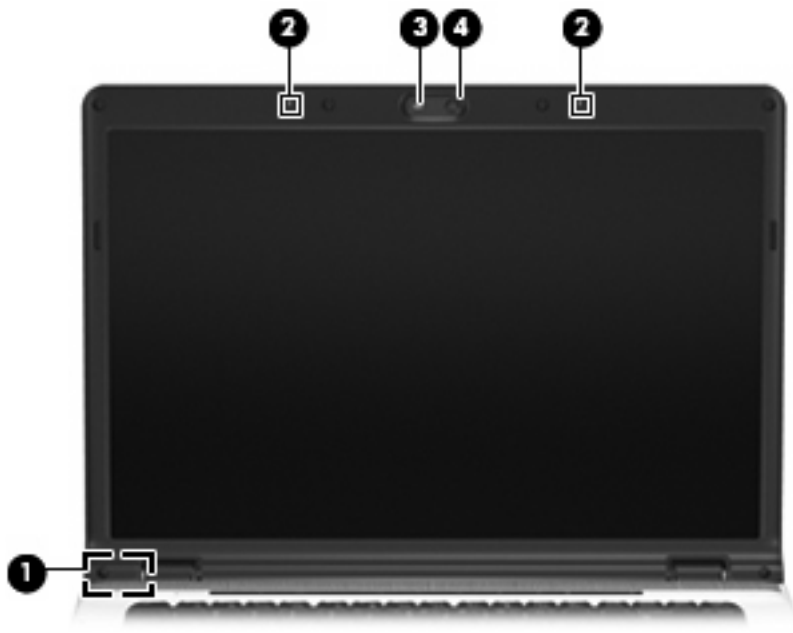
| Category | Description | Discrete graphics, AMD | UMA graphics, AMD | Full-featured, Intel | Defeated Intel |
|-----------------------|--|------------------------|-------------------|----------------------|----------------|
| | <ul style="list-style-type: none"> • HD-ROM Drive | √ | √ | √ | √ |
| | <ul style="list-style-type: none"> • DVD±RW and CD-RW Super Multi Double-Layer Combo Drive with LightScribe | √ | √ | √ | √ |
| | <ul style="list-style-type: none"> • DVD±RW and CD-RW Super Multi Double-Layer Combo Drive | √ | √ | √ | √ |
| | <ul style="list-style-type: none"> • DVD-CD/RW Combo Drive | | | | |
| Diskette drive | Supports external USB drive only | √ | √ | √ | √ |
| Camera | 1.3-megapixel, low-light, VGA camera - fixed (no tilt) | √ | √ | √ | √ |
| Microphone | 2 omnidirectional, dual-array microphones, with beam-forming, echo-cancellation, noise-suppression software | √ | √ | √ | √ |
| Audio | HD audio - Realtek ALC861-VD-GR | | √ | √ | √ |
| | HD Audio - Conexant CX20549-12 | √ | | | |
| | Supports Windows Vista® Premium Logo requirements | √ | √ | √ | √ |
| | Pavilion-branded Altec Lansing speakers | √ | √ | √ | √ |
| Modem | 56K V.92 data/fax modem | √ | √ | √ | √ |
| | Supports all world-wide certification requirements | √ | √ | √ | √ |
| | Modem cable not included | √ | √ | √ | √ |
| Ethernet | Integrated Realtek 10/100 network interface card (NIC) | | √ | √ | √ |
| | 10/100/1000 (Gigabit Ethernet, RTL8211B) | √ | | | |
| | Ethernet cable not included | √ | √ | √ | √ |
| Wireless | Integrated wireless local area network (WLAN) options by way of wireless module: | | | | |
| | Intel PRO Wireless 3945 802.11a/b/g and 802.11b/g with 2 antennae integrated into the display assembly | | | √ | √ |
| | Intel PRO Wireless 4965 802.11a/b/g/n with 3 antennae integrated into the display assembly @ 2.4 and 5.0 GHz | | | √ | √ |
| | Intel WLAN + Bluetooth® | | | √ | √ |
| | Broadcom 4321AGN Wi-Fi Adapter (802.11 a/b/g/ draft-n) + Bluetooth w/2 antennas | √ | √ | | |

| Category | Description | Discrete graphics, AMD | UMA graphics, AMD | Full-featured, Intel | Defeated Intel |
|-----------------------------------|--|------------------------|-------------------|----------------------|----------------|
| | Broadcom 4321AGN Wi-Fi Adapter (802.11 a/b/g/ draft-n) w/2 antennas | ✓ | ✓ | | |
| External media card | One ExpressCard54 slot | ✓ | ✓ | ✓ | ✓ |
| | Digital Media Slot, supports SD, MMC, SDIO, MS, MSpro, xD | ✓ | ✓ | ✓ | ✓ |
| Ports | Audio-in (mono microphone) | ✓ | ✓ | ✓ | ✓ |
| | Audio-out (stereo headphone) | ✓ | ✓ | ✓ | ✓ |
| | Audio-out (stereo headphone with S/PDIF) | ✓ | ✓ | ✓ | |
| | Consumer infrared | ✓ | ✓ | ✓ | ✓ |
| | RJ-11 (modem) | ✓ | ✓ | ✓ | ✓ |
| | RJ-45 (Ethernet, includes link and activity lights) | ✓ | ✓ | ✓ | ✓ |
| | S-Video-out | ✓ | ✓ | ✓ | ✓ |
| | HDMI v1.2 supporting 1080p with HDCP key | ✓ | | | |
| | USB (3) | ✓ | ✓ | ✓ | |
| | USB (1) | | | | ✓ |
| | VGA (Dsub 15-pin) | ✓ | ✓ | ✓ | ✓ |
| | 1394 | ✓ | ✓ | ✓ | |
| | 2-pin AC power | ✓ | ✓ | ✓ | ✓ |
| Docking | Expansion port 3 supports HP xb3000 Notebook Expansion Base and HP Notebook QuickDock | ✓ | ✓ | ✓ | ✓ |
| Keyboard/ pointing devices | 15.4-inch keyboard | ✓ | ✓ | ✓ | ✓ |
| | TouchPad with 2 buttons and two-way scroll (taps enabled as default) | ✓ | ✓ | ✓ | ✓ |
| Power requirements | 12-cell 2.20-Ah Li-ion battery | ✓ | ✓ | ✓ | ✓ |
| | 6-cell 2.55-Ah Li-ion battery | ✓ | ✓ | ✓ | ✓ |
| | 6-cell 2.20-Ah Li-ion battery | ✓ | ✓ | ✓ | ✓ |
| | 65-W AC adapter with localized cable plug support (2-wire plug with ground pin, supports 2-pin DC connector) | ✓ | ✓ | ✓ | ✓ |
| | 90-W (PFC only) | ✓ | | | |
| Security | Security cable slot | ✓ | ✓ | ✓ | ✓ |
| | Fingerprint reader | ✓ | ✓ | ✓ | ✓ |

| Category | Description | Discrete graphics, AMD | UMA graphics, AMD | Full-featured, Intel | Defeated Intel |
|-------------------------|--|------------------------|-------------------|----------------------|----------------|
| Operating system | Preinstalled: | | | | |
| | Windows Vista Business (32-bit) | √ | √ | √ | √ |
| | Windows Vista Ultimate (64-bit) | | √ | √ | √ |
| | Windows Vista Premium (32- and 64-bit) | √ | √ | √ | √ |
| | Windows Vista Home Basic (32-bit) | √ | √ | √ | √ |
| Serviceability | End-user replaceable parts: | | | | |
| | AC adapter | √ | √ | √ | √ |
| | Battery (system) | √ | √ | √ | √ |
| | Hard drive | √ | √ | √ | √ |
| | Memory module | √ | √ | √ | √ |
| | Optical drive | √ | √ | √ | √ |
| | WLAN module | √ | √ | √ | √ |

2 External component identification

Display components



| Item | Component | Description |
|------|---|---|
| (1) | Internal display switch* | Turns off the display if the display is closed while the computer is on. |
| (2) | Internal microphones (2) (select models only) | Record sound. NOTE: If there is a microphone icon next to each microphone opening, the computer has internal microphones. |
| (3) | Integrated camera light (select models only) | On: The integrated camera is in use. |
| (4) | Integrated camera (select models only) | Records video and captures still photographs. |

*The location of the internal display switch varies by computer model.

Top components

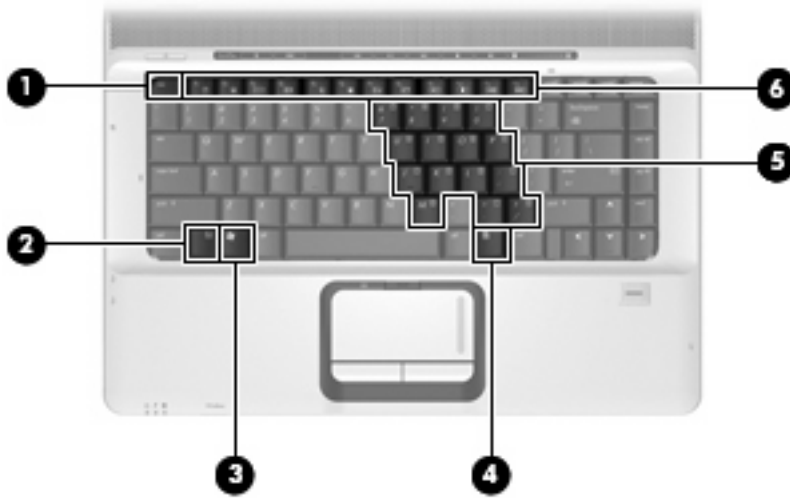
Lights



| Item | Component | Description |
|------|-------------------|---|
| (1) | Power lights (2)* | <ul style="list-style-type: none">On: The computer is on.Blinking: The computer is in the Sleep state.Off: The computer is off or in Hibernation. |
| (2) | Battery light | <ul style="list-style-type: none">On: A battery is charging.Blinking: A battery that is the only available power source has reached a low battery level or a critical battery level.Off: If the computer is plugged into an external power source, the light is turned off when all batteries in the computer are fully charged. If the computer is not plugged into an external power source, the light stays off until the battery reaches a low battery level. |
| (3) | Drive light | Blinking: The hard drive or optical drive is being accessed. |
| (4) | Caps lock light | On: Caps lock is on. |
| (5) | Volume mute light | <ul style="list-style-type: none">Blue: Computer sound is turned on.Amber: Computer sound is turned off. |
| (6) | Volume down light | Blinking: The volume scroll zone is being used to decrease speaker volume. |
| (7) | Volume up light | Blinking: The volume scroll zone is being used to increase speaker volume. |
| (8) | Num lock light | On: Num lock is on or the embedded numeric keypad is enabled. |

*The 2 power lights display the same information. The light on the power button is visible only when the computer is open. The power light on the front of the computer is visible whether the computer is open or closed.

Keys



| Item | Component | Function |
|------|------------------------------|--|
| (1) | esc key | Displays system information when pressed in combination with the fn key. |
| (2) | fn key | Executes frequently used system functions when pressed in combination with a function key or the esc key. |
| (3) | Windows logo key | Displays the Windows® Start menu. |
| (4) | Windows applications key | Displays a shortcut menu for items beneath the pointer. |
| (5) | Embedded numeric keypad keys | Can be used like the keys on an external numeric keypad. |
| (6) | Function keys | Execute frequently used system functions when pressed in combination with the fn key. |

Buttons, speakers, and fingerprint reader



| Item | Component | Description |
|------|------------------------|--|
| (1) | Power button* | <ul style="list-style-type: none"> When the computer is off, press the button to turn on the computer. When the computer is on, press the button to initiate Sleep. When the computer is in the Sleep state, press the button briefly to exit Sleep. When the computer is in Hibernation, press the button briefly to exit Hibernation. <p>If the computer has stopped responding and Windows® shutdown procedures are ineffective, press and hold the power button for at least 5 seconds to turn off the computer.</p> <p>To learn more about power settings, select Start > Control Panel > System and Maintenance > Power Options.</p> |
| (2) | Speakers (2) | Produce sound. |
| (3) | Media button | <p>Opens the QuickPlay program.</p> <p>NOTE: If the computer has been set up to require a logon password, you may be asked to log on to Windows. QuickPlay opens after you log on. Refer to the QuickPlay software Help for more information.</p> |
| (4) | DVD button | <p>Opens the DVD playback feature of the QuickPlay program.</p> <p>NOTE: If the computer has been set up to require a logon password, you may be asked to log on to Windows. QuickPlay opens after you log on. Refer to the QuickPlay software Help for more information.</p> |
| (5) | Previous/rewind button | <ul style="list-style-type: none"> Plays the previous track or chapter when pressed once. Rewinds media when pressed simultaneously with the fn key. |

| Item | Component | Description |
|------|---|--|
| (6) | Play/pause button | Plays or pauses the disc. |
| (7) | Next/fast forward button | <ul style="list-style-type: none"> Plays the next track or chapter when pressed once. Fast forwards media when pressed simultaneously with the fn key. |
| (8) | Stop button | Stops the disc. |
| (9) | Volume mute button | Mutes and restores the speaker sound. |
| (10) | Volume scroll zone | Adjusts speaker volume. Slide your finger to the left to decrease volume and to the right to increase volume. You can also tap the minus sign on the scroll zone to decrease volume, or tap the plus sign on the scroll zone to increase volume. |
| (11) | Fingerprint reader (select models only) | Allows a fingerprint logon to Windows, instead of a password logon. |

*This table describes factory settings. For information about changing factory settings, refer to the user guides located in Help and Support.

TouchPad



| Item | Component | Function |
|------|------------------------|---|
| (1) | TouchPad light | <ul style="list-style-type: none">• Blue: TouchPad is enabled.• Amber: TouchPad is disabled. |
| (2) | TouchPad* | Moves the pointer and selects or activates items on the screen. |
| (3) | Left TouchPad button* | Functions like the left button on an external mouse. |
| (4) | TouchPad on/off button | Enables/disables the TouchPad. |
| (5) | TouchPad scroll zone | Scrolls up or down. |
| (6) | Right TouchPad button* | Functions like the right button on an external mouse. |

*This table describes factory settings. To view or change pointing device preferences, select **Start > Control Panel > Hardware and Sound > Mouse**.

Front components



| Item | Component | Function |
|------|--|---|
| (1) | Power light | <ul style="list-style-type: none"> On: The computer is on. Blinking: The computer is in the Sleep state. Off: The computer is off or in Hibernation. |
| (2) | Battery light | <ul style="list-style-type: none"> On: A battery is charging. Blinking: A battery that is the only available power source has reached a low battery level or a critical battery level. Off: If the computer is plugged into an external power source, the light is turned off when all batteries in the computer are fully charged. If the computer is not plugged into an external power source, the light stays off until the battery reaches a low battery level. |
| (3) | Drive light | Blinking: The hard drive or optical drive is being accessed. |
| (4) | Wireless switch | Turns the wireless feature on or off, but does not create a wireless connection. NOTE: To establish a wireless connection, a wireless network must already be set up. |
| (5) | Wireless light | <ul style="list-style-type: none"> Blue: An integrated wireless device, such as a WLAN device and/or a Bluetooth® device, is turned on. Amber: An integrated wireless device is turned off. |
| (6) | Consumer infrared lens | Receives a signal from a remote control device, such as the HP Remote Control. |
| (7) | Audio-in (microphone) jack | Connects an optional computer headset microphone, stereo array microphone, or monaural microphone. |
| (8) | Audio-out (headphone) jack | Produces sound when connected to optional powered stereo speakers, headphones, ear buds, a headset, or television audio. |
| (9) | Audio-out (headphone) S/PDIF jack (select models only) | Produces sound when connected to optional powered stereo speakers, headphones, ear buds, a headset, or television audio. |

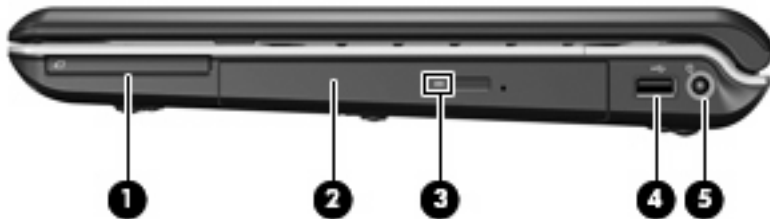
Left-side components



| Item | Component | Function |
|------|---|--|
| (1) | Security cable slot | Attaches an optional security cable to the computer. NOTE: The security cable is designed to act as a deterrent, but it may not prevent the computer from being mishandled or stolen. |
| (2) | S-Video-out jack | Connects an optional S-Video device such as a television, VCR, camcorder, overhead projector, or video capture card. |
| (3) | External monitor port | Connects an external VGA monitor or projector. |
| (4) | Expansion port 3 | Connects the computer to an optional docking device or expansion product. NOTE: The computer has only one expansion port. The term <i>expansion port 3</i> describes the type of expansion port. |
| (5) | RJ-45 (network) jack | Connects a network cable. NOTE: On select computer models, the network jack provides Gigabit Ethernet functionality. |
| (6) | RJ-11 (modem) jack | Connects a modem cable. |
| (7) | HDMI port (select models only) | Connects an optional video or audio device such as a high-definition television, set-top box, DVD player, or any compatible digital or audio device. |
| (8) | USB ports (1 or 2, depending on computer model) | Connect optional USB devices. |
| (9) | 1394 port (select models only) | Connects an optional IEEE 1394 or 1394a device, such as a camcorder. |
| (10) | Digital Media Slot light (select models only) | On: A digital card is being accessed. |
| (11) | Digital Media Slot (select models only) | Supports the following optional digital card formats: <ul style="list-style-type: none"> • Memory Stick (MS) • Memory Stick Pro (MSP) • MultiMediaCard (MMC) • Secure Digital Input/Output (SD I/O) • Secure Digital (SD) Memory Card • xD-Picture Card (XD) |

| Item | Component | Function |
|------|-----------|--|
| | | <ul style="list-style-type: none"> • xD-Picture Card (XD) Type H • xD-Picture Card (XD) Type M |

Right-side components



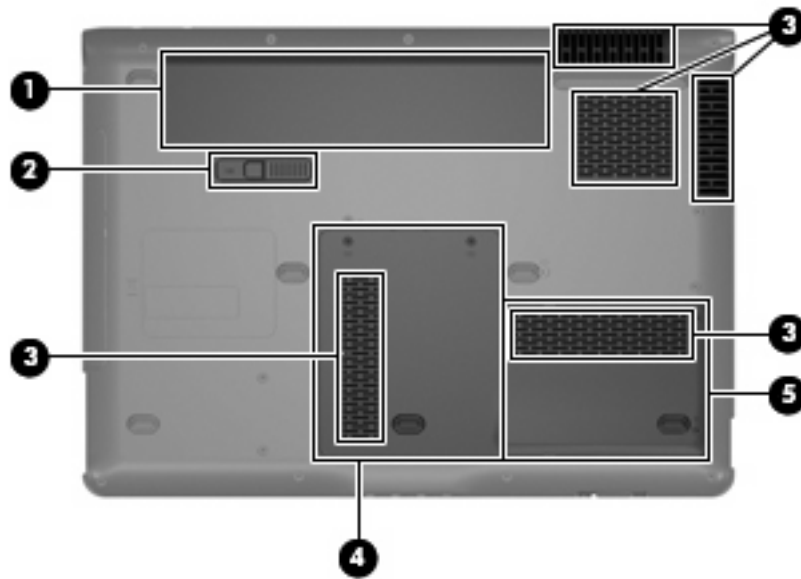
| Item | Component | Function |
|------|-------------------------------|---|
| (1) | ExpressCard slot | Supports optional ExpressCard/54 cards. |
| (2) | Optical drive | Reads optical discs, and, on select models, also writes to optical discs. |
| (3) | Optical drive light | Blinking: The optical drive is being accessed. |
| (4) | USB port (select models only) | Connects an optional USB device. |
| (5) | Power connector | Connects an AC adapter. |

Rear component



| Component | Description |
|-----------|---|
| Vent | <p>Enables airflow to cool internal components.</p> <p>NOTE: The computer fan starts up automatically to cool internal components and prevent overheating. It is normal for the internal fan to cycle on and off during routine operation.</p> |

Bottom components

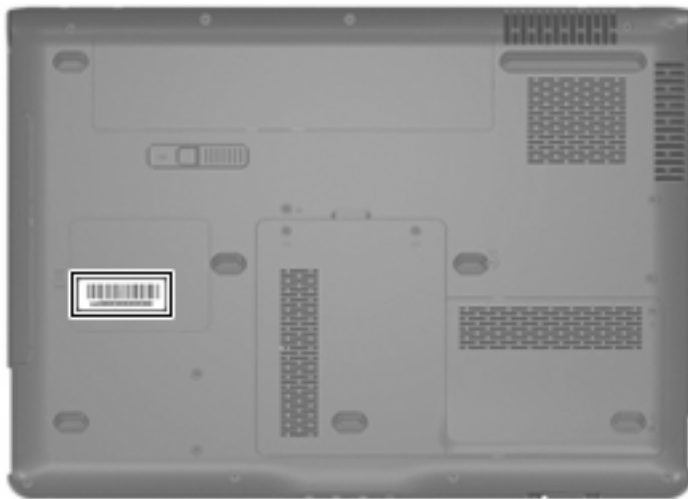


| Item | Component | Function |
|------|--------------------------------|---|
| (1) | Battery bay | Holds the battery. |
| (2) | Battery release latch | Releases the battery from the battery bay. |
| (3) | Vents (5) | Enable airflow to cool internal components. |
| (4) | Memory/WLAN module compartment | Contains the memory module slots, the WLAN module slot, and the RTC battery. NOTE: The computer fan starts up automatically to cool internal components and prevent overheating. It is normal for the internal fan to cycle on and off during routine operation. CAUTION: To prevent an unresponsive system, replace the wireless module only with a wireless module authorized for use in the computer by the governmental agency that regulates wireless devices in your country or region. If you replace the module and then receive a warning message, remove the module to restore computer functionality, and then contact technical support through Help and Support. |
| (5) | Hard drive bay | Holds the hard drive. |

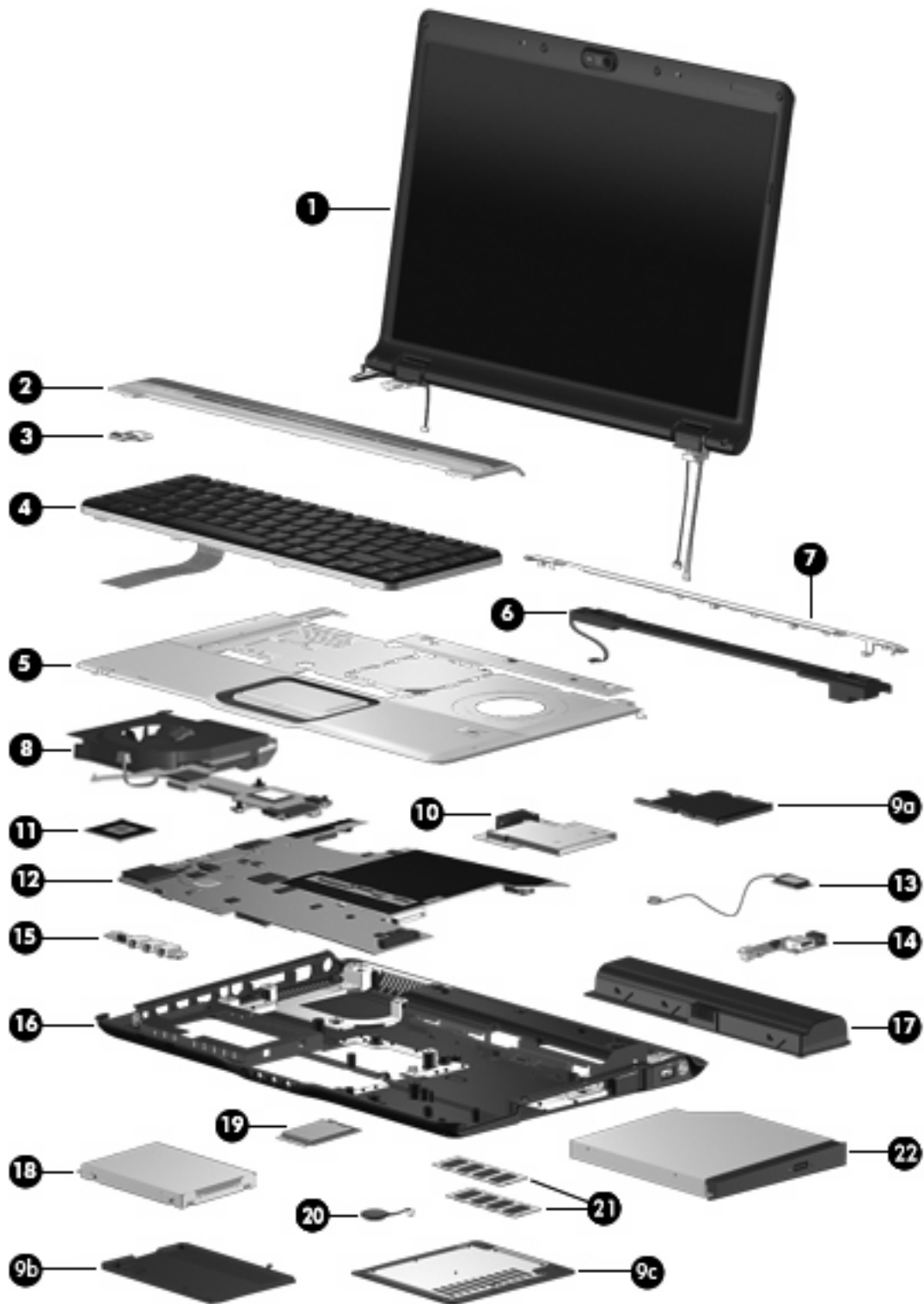
3 Illustrated parts catalog

Serial number location

When ordering parts or requesting information, provide the computer serial number and model number located on the bottom of the computer.



Computer major components



| Item | Description | Spare part number |
|------|--------------------|-------------------|
| (1) | Display assemblies | |

| Item | Description | Spare part number |
|------------|---|-------------------|
| | 15.4-inch, WXGA, BrightView, display assembly for use only with computer models equipped with a camera (includes camera, microphones, and WLAN transceivers and antenna cables) | 446481-001 |
| | 15.4-inch, WXGA, BrightView, display assembly for use only with computer models not equipped with a camera (includes microphones and WLAN transceivers and antenna cables) | 446482-001 |
| | 15.4-inch, WXGA, BrightView, display assembly for use only with Best Buy computer models equipped with a camera, microphones, and a fingerprint reader (includes camera, microphones, and WLAN transceivers and antenna cables) | 455311-001 |
| | 15.4-inch, WXGA, BrightView, display assembly for use only with Best Buy computer models equipped with a camera (includes camera, microphones, and WLAN transceivers and antenna cables) | 455312-001 |
| | NOTE: See Display assembly components on page 25 for more information on display assembly spare part numbers. | |
| (2) | Switch cover (includes LED board and cable) | 446512-001 |
| (3) | Power button board (includes power button board cable) | 431437-001 |
| (4) | Keyboards | |
| | For use with HP Pavilion dv6500 and dv6600 Entertainment PC computer models: | |
| | • Belgium | 441427-A41 |
| | • The Czech Republic | 441427-221 |
| | • Denmark | 441427-081 |
| | • Finland, Norway, and Sweden | 441427-DH1 |
| | • France | 441427-051 |
| | • French Canada | 441427-121 |
| | • Germany | 441427-041 |
| | • Greece | 441427-151 |
| | • Israel | 441427-BB1 |
| | • Italy | 441427-061 |
| | • Japan | 441427-291 |
| | • Latin America | 441426-161 |
| | • South Korea | 441427-AD1 |
| | • The Netherlands and Europe | 441427-B31 |
| | • Portugal | 441427-131 |
| | • Russia | 441427-251 |
| | • Saudi Arabia | 441427-171 |
| | • Spain | 441427-071 |
| | • Switzerland | 441427-111 |
| | • Taiwan | 441427-AB1 |
| | • Thailand | 441427-281 |
| | • Turkey | 441427-141 |

| Item | Description | Spare part number |
|------------|---|---------------------------|
| | • The United Kingdom | 441427-031 |
| | • The United States | 441427-001 |
| | For use only with Best Buy computer models: | |
| | • Finland, Norway, and Sweden | 443689-DH1 and 452636-DH1 |
| | • French Canada | 443689-121 and 452636-121 |
| | • The Netherlands and Europe | 443689-B31 and 452636-B31 |
| | • Italy | 443689-061 and 452636-061 |
| | • Germany | 443698-041 |
| | • Russia | 443689-251 |
| | • Thailand | 443689-281 |
| | • Japan | 443689-291 |
| | • Belgium | 443689-A41 |
| | • Taiwan | 443689-AB1 |
| | • South Korea | 443689-AD1 |
| | • Portugal | 443689-131 and 452636-131 |
| | • Saudi Arabia | 443689-171 and 452636-171 |
| | • Spain | 443689-071 and 452636-071 |
| | • Turkey | 443689-141 and 452636-141 |
| | • The United Kingdom | 443689-031 and 452636-031 |
| | • The United States | 441426-001 and 452636-001 |
| (5) | Top covers (include TouchPad and cable) | |
| | For use only in computer models with Intel processors: | |
| | • Equipped with a fingerprint reader (includes fingerprint reader board and cable) | 446509-001 |
| | • Not equipped with a fingerprint reader | 446508-001 |
| | • Only with Best Buy computer models equipped with a fingerprint reader (includes fingerprint reader board and cable) | 452635-001 |
| | • Only with Best Buy models not equipped with a fingerprint reader | 452634-001 |
| | • Fingerprint reader board (not illustrated; includes fingerprint reader board cable) | 446511-001 |
| | For use only in computer models with AMD processors: | |

| Item | Description | Spare part number |
|-------------|--|---------------------------|
| | <ul style="list-style-type: none"> In full-featured models equipped with a fingerprint reader (includes TouchPad, TouchPad cable, fingerprint reader board, and fingerprint reader board cable) | 449942-001 |
| | <ul style="list-style-type: none"> In defeatured models equipped with a fingerprint reader (includes TouchPad, TouchPad cable, fingerprint reader board, and fingerprint reader board cable) | 451408-001 |
| | <ul style="list-style-type: none"> Only with Best Buy computer models equipped with a fingerprint reader (includes TouchPad and cable and fingerprint reader board and cable) | 458603-001 |
| | <ul style="list-style-type: none"> Fingerprint reader board (not illustrated; includes fingerprint reader board cable) | 449944-001 |
| (6) | Speaker assembly | 431447-001 |
| (7) | Top cover trim | |
| | For use only in full-featured models | 431421-001 |
| | For use only in defeatured models | 431420-001 |
| (8) | Fan/heat sink assemblies (include thermal material) | |
| | For use only in computer models with Intel processors: | |
| | <ul style="list-style-type: none"> Equipped with discrete graphics subsystem memory | 434986-001 and 450933-001 |
| | <ul style="list-style-type: none"> Equipped with UMA graphics subsystem memory | 446521-001 |
| | For use only in computer models with AMD processors: | |
| | <ul style="list-style-type: none"> Equipped with discrete graphics subsystem memory | 449960-001 |
| | <ul style="list-style-type: none"> Equipped with UMA graphics subsystem memory | 451860-001 |
| | Plastics Kit (see Plastics Kit on page 27 for more Plastics Kit component information): | 438368-001 |
| (9a) | ExpressCard slot bezel | |
| (9b) | Hard drive cover (includes 2 captive screws, secured by C-clips) | |
| (9c) | Memory/WLAN module compartment cover (includes 2 captive screws, secured by C-clips) | |
| | HDMI port cover (not illustrated) | |
| (10) | ExpressCard assembly | 431439-001 |
| (11) | Processors | |
| | Intel Core 2 Duo processors: | |
| | <ul style="list-style-type: none"> 2.20-GHz processor (4-MB L2 cache, 800-MHz FSB) | 453771-001 |
| | <ul style="list-style-type: none"> 2.00-GHz processor (2-MB L2 cache, 800-MHz FSB) | 455515-001 |
| | <ul style="list-style-type: none"> 1.86-GHz processor (1-MB L2 cache, 533-MHz FSB) | 453773-001 |
| | <ul style="list-style-type: none"> 1.50-GHz processor (2-MB L2 cache, 667-MHz FSB) | 453772-001 |
| | Intel Core Duo processors: | |
| | <ul style="list-style-type: none"> T7300 2.0-GHz processor (4-MB L2 cache, 800-MHz FSB) | 446478-001 |
| | <ul style="list-style-type: none"> T7100 1.8-GHz processor (2-MB L2 cache, 800-MHz FSB) | 446479-001 |
| | <ul style="list-style-type: none"> T5250 1.5-GHz processor (2-MB L2 cache, 667-MHz FSB) | 453033-001 |
| | <ul style="list-style-type: none"> T2330 1.6-GHz processor (1-MB L2 cache, 533-MHz FSB) | 455944-001 |

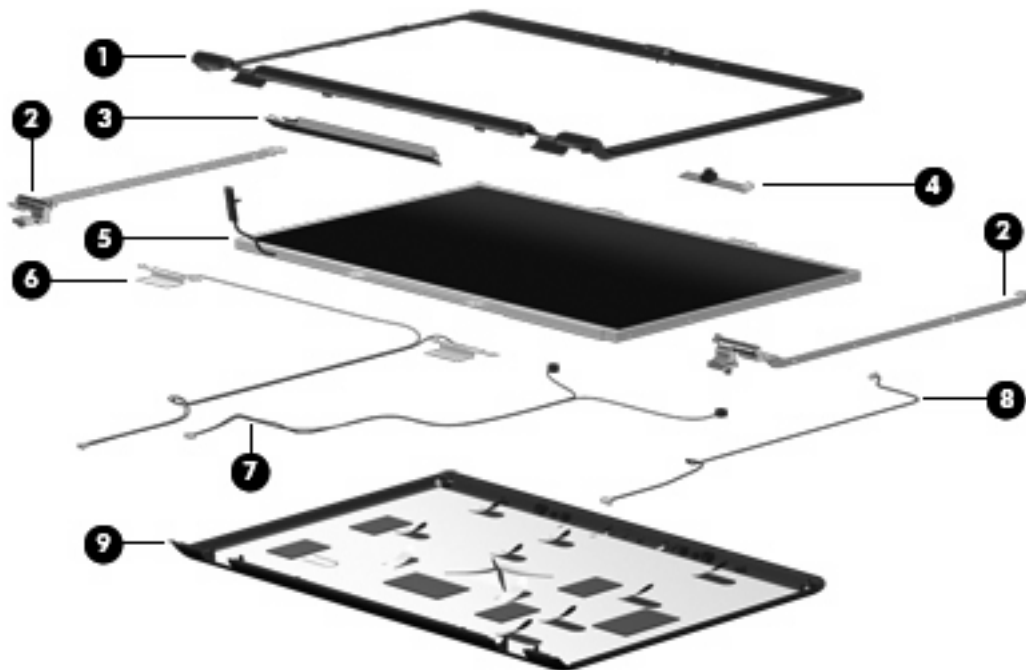
| Item | Description | Spare part number |
|-------------|--|-------------------|
| | <ul style="list-style-type: none"> T2310 1.46-GHz processor (1-MB L2 cache, 533-MHz FSB) | 455943-001 |
| | Intel Celeron processor: | |
| | <ul style="list-style-type: none"> M530 1.73-GHz processor (1-MB L2 cache, 533-MHz FSB) | 457315-001 |
| | AMD processors: | |
| | <ul style="list-style-type: none"> Turion MK-38 (2.2-GHz, 512-MB L2 cache) | 449904-001 |
| | <ul style="list-style-type: none"> Turion TL-66 (2.3 -GHz, 1-MB L2 cache) | 450804-001 |
| | <ul style="list-style-type: none"> Turion TL-60 (2.0 -GHz, 1-MB L2 cache) | 450803-001 |
| | <ul style="list-style-type: none"> Turion TL-58 (1.9 -GHz, 1-MB L2 cache) | 450802-001 |
| | <ul style="list-style-type: none"> Turion TL-56 (1.8 -GHz, 1-MB L2 cache) | 450801-001 |
| | <ul style="list-style-type: none"> Athlon TK-53 (1.7-GHz. 512-MB L2 cache) | 451013-001 |
| | Processor bracket (not illustrated) | |
| | For use with 7.9 processors | 450370-001 |
| | For use with 8.1 processors | 450371-001 |
| (12) | System boards (include modem cable and thermal material) | |
| | For use only with computer models with Intel processors: | |
| | <ul style="list-style-type: none"> Equipped with discrete graphics subsystem memory (includes 128 MB of discrete graphics subsystem memory) | 446476-001 |
| | <ul style="list-style-type: none"> In full-featured models equipped with UMA graphics subsystem memory | 446477-001 |
| | <ul style="list-style-type: none"> In defeatured models equipped with UMA graphics subsystem memory | 453769-001 |
| | For use only with computer models with AMD processors: | |
| | <ul style="list-style-type: none"> In full-featured models equipped with discrete graphics subsystem memory | 449902-001 |
| | <ul style="list-style-type: none"> In full-featured models equipped with UMA graphics subsystem memory | 449903-001 |
| (13) | Bluetooth module (includes Bluetooth module cable) | 412766-002 |
| (14) | USB/power connector boards (include USB/power connector board cable) | |
| | For use only with computer models using 90-W AC adapters | 446524-001 |
| | For use only with computer models using 65-W AC adapters | 449454-001 |
| (15) | Audio board (includes infrared lens and audio board cable) | |
| | For use with full-featured models | 446523-001 |
| | For use with defeatured models | 449967-001 |
| (16) | Base enclosures (include wireless on/off switch) | |
| | For use only with full-featured computer models that use discrete graphics subsystem memory | 446513-001 |
| | For use only with full-featured computer models with Intel processors that use UMA graphics subsystem memory | 448342-001 |
| | For use only with defeatured computer models with AMD processors | 454172-001 |

| Item | Description | Spare part number |
|-------------|--|------------------------------|
| | Rubber Kit (not illustrated; includes base enclosure rubber feet and display bezel screw covers) | 431430-001 |
| (17) | Batteries | |
| | 12-cell, 8.80-Ah | 451864-001 |
| | 6-cell, 2.55-Ah | 446507-001 |
| | 6-cell, 2.20-Ah | 446506-001 |
| (18) | Hard drives (include hard drive bracket and hard drive connector) | |
| | 250-GB, 5400-rpm | 453775-001 |
| | 200-GB, 4200-rpm | 451863-001 |
| | 160-GB, 5400-rpm | 451462-001 |
| | 120-GB, 5400-rpm | 446498-001 |
| | 80-GB, 5400-rpm | 446497-001 |
| | 60-GB, 5400-rpm | 446496-001 |
| (19) | WLAN modules | |
| | Intel 802.11a/b/g/n WLAN modules: | |
| | <ul style="list-style-type: none"> For use in Antigua & Barbuda, Argentina, Aruba, the Bahamas, Barbados, Bermuda, Brunei, Canada, the Cayman Islands, Chile, Colombia, Costa Rica, the Dominican Republic, Ecuador, El Salvador, Guam, Guatemala, Haiti, Honduras, Hong Kong, India, Indonesia, Malaysia, Mexico, Panama, Paraguay, Peru, Saudi Arabia, Taiwan, Uruguay, the United States, Venezuela, and Vietnam | 441086-001 |
| | <ul style="list-style-type: none"> For use in Austria, Azerbaijan, Bahrain, Belgium, Brazil, Bulgaria, Croatia, Cyprus, the Czech Republic, Denmark, Egypt, Estonia, Finland, France, Georgia, Germany, Greece, Hungary, Iceland, Ireland, Israel, Italy, Latvia, Lebanon, Liechtenstein, Lithuania, Luxembourg, Malta, Monaco, the Netherlands, Norway, Oman, the Philippines, Poland, Portugal, Qatar, Romania, Russia, Serbia and Montenegro, Singapore, Slovakia, Slovenia, South Africa, Spain, Sri Lanka, Sweden, Switzerland, Turkey, Ukraine, the United Kingdom, and Uzbekistan | 441086-002 and 441087-002 |
| | <ul style="list-style-type: none"> For use in Australia, New Zealand, Pakistan, the People's Republic of China, and South Korea | 441086-003 and 441088-003 |
| | <ul style="list-style-type: none"> For use in Japan | 441086-291 and 441089-291 |
| | <ul style="list-style-type: none"> For use in South Korea | 441086-AD1 |
| | Intel 802.11a/b/g WLAN modules: | |
| | <ul style="list-style-type: none"> For use in Antigua & Barbuda, Argentina, Australia, the Bahamas, Barbados, Brunei, Canada, Chile, the Dominican Republic, Guam, Guatemala, Hong Kong, India, Indonesia, Malaysia, Mexico, New Zealand, Panama, Paraguay, Saudi Arabia, Taiwan, the United States, and Vietnam | 451861-001 |
| | <ul style="list-style-type: none"> For use in Aruba, Austria, Azerbaijan, Bahrain, Belgium, Bermuda, Brazil, Bulgaria, the Cayman Islands, Colombia, Croatia, Cyprus, the Czech Republic, Denmark, Egypt, El Salvador, Estonia, Finland, France, Georgia, Germany, Greece, Hungary, Iceland, Ireland, Italy, Jordan, Latvia, Lebanon, Liechtenstein, Lithuania, Luxembourg, Malta, Monaco, the Netherlands, Norway, Oman, the Philippines, Poland, Portugal, Romania, Russia, Serbia and Montenegro, Singapore, Slovakia, Slovenia, South Africa, Spain, Sri Lanka, Sweden, Switzerland, Turkey, the United Kingdom, and Uzbekistan | 451861-002 |

| Item | Description | Spare part number |
|-------------|---|------------------------------|
| | <ul style="list-style-type: none"> For use in Ecuador, Haiti, Honduras, Pakistan, the People's Republic of China, Peru, Qatar, South Korea, Uruguay, and Venezuela | 451861-003 |
| | <ul style="list-style-type: none"> For use in Japan | 451861-291 |
| | Broadcom 802.11b/g WLAN modules: | |
| | <ul style="list-style-type: none"> For use in Canada, the Cayman Islands, Guam, Puerto Rico, the U.S. Virgin Islands, and the United States | 441090-001 |
| | <ul style="list-style-type: none"> For use in Afghanistan, Albania, Algeria, Andorra, Angola, Antigua & Barbuda, Argentina, Armenia, Aruba, Australia, Austria, Azerbaijan, the Bahamas, Bahrain, Bangladesh, Barbados, Belarus, Belgium, Belize, Benin, Bermuda, Bhutan, Bolivia, Bosnia & Herzegovina Botswana, Brazil, the British Virgin Islands, Brunei, Bulgaria, Burkina Faso, Burundi, Cambodia, Cameroon, Cape Verde, the Central African Republic, Chad, Chile, Colombia, Comoros, the Congo, Costa Rica, Croatia, Cyprus, the Czech Republic, Denmark, Djibouti, Dominica, the Dominican Republic, East Timor, Ecuador, Egypt, El Salvador, Equatorial Guinea, Eritrea, Estonia, Ethiopia, Fiji, Finland, France, French Guiana, Gabon, Gambia, Georgia, Germany, Ghana, Gibraltar, Greece, Grenada, Guadeloupe, Guatemala, Guinea, Guinea-Bissa, Guyana, Haiti, Honduras, Hong Kong, Hungary, Iceland, India, Indonesia, Ireland, Israel, Italy, the Ivory Coast, Jamaica, Jordan, Kazakhstan, Kenya, Kiribati, Kuwait, Kyrgyzstan, Laos, Latvia, Lebanon, Lesotho, Liberia, Liechtenstein, Lithuania, Luxembourg, Macedonia, Madagascar, Malawi, Malaysia, the Maldives, Mali, Malta, the Marshall Islands, Martinique, Mauritania, Mauritius, Mexico, Micronesia, Monaco, Mongolia, Montenegro, Morocco, Mozambique, Namibia, Nauru, Nepal, the Nether Antilles, the Netherlands, New Zealand, Nicaragua, Niger, Nigeria, Norway, Oman, Palau, Panama, Papua New Guinea, Paraguay, the People's Republic of China, Peru, the Philippines, Poland, Portugal, Qatar, the Republic of Moldova, Romania, Russia, Rwanda, Samoa, San Marino, Sao Tome & Principe, Saudi Arabia, Senegal, Serbia and Montenegro, the Seychelles, Sierra Leone, Singapore, Slovakia, Slovenia, the Solomon Islands, Somalia, South Africa, South Korea, Spain, Sri Lanka, St. Kitts & Nevis, St. Lucia, St. Vincent & Grenada, Suriname, Swaziland, Sweden, Switzerland, Taiwan, Tajikistan, Tanzania, Thailand, Togo, Tonga, Trinidad & Tobago, Tunisia, Turkey, Turkmenistan, Tuvalu, Uganda, Ukraine, the United Arab Emirates, the United Kingdom, Uruguay, Uzbekistan, Vanuatu, Venezuela, Vietnam, Yemen, Zaire, Zambia, and Zimbabwe | 441090-002 |
| | <ul style="list-style-type: none"> For use in Japan | 441090-291 |
| | Intel 802.11b/g WLAN module for use in Thailand | 451861-004 |
| | Broadcom 4311AG 802.11a/b/g modules: | |
| | <ul style="list-style-type: none"> For use in the United States and Canada | 441075-001 |
| | <ul style="list-style-type: none"> For use in France, Germany, Italy, the Netherlands, Spain, the United Kingdom, Nordic region, and India | 441075-002 |
| | Broadcom 4321AGN 802.11a/b/g/n modules: | |
| | <ul style="list-style-type: none"> For use in the United States and Canada | 434661-001 |
| | <ul style="list-style-type: none"> For use in France, Germany, Italy, the Netherlands, Spain, the United Kingdom, Nordic region, and India | 434661-002 |
| (20) | RTC battery (includes 2-sided tape) | 446518-001 and 449729-001 |
| (21) | Memory modules (667-MHz, PC2-5300, 1-DIMM) | |
| | 2048-MB | 453774-001 and 457437-001 |
| | 1024-MB | 446495-001 |

| Item | Description | Spare part number |
|-------------|--|-------------------|
| | 512-MB | 446494-001 |
| (22) | Optical drives (include bezel) | |
| | For use in computers with Intel processors: | |
| | <ul style="list-style-type: none"> • HD-ROM Drive | 446502-001 |
| | <ul style="list-style-type: none"> • DVD±RW and CD-RW Super Multi Double-Layer Combo Drive with LightScribe | 446501-001 |
| | <ul style="list-style-type: none"> • DVD±RW and CD-RW Super Multi Double-Layer Combo Drive | 446500-001 |
| | <ul style="list-style-type: none"> • DVD/CD-RW Combo Drive | 446499-001 |
| | For use in computers with AMD processors: | |
| | <ul style="list-style-type: none"> • DVD±RW and CD-RW Super Multi Double-Layer Combo Drive | 448004-001 |
| | <ul style="list-style-type: none"> • DVD±RW and DVD-ROM Super Multi Drive with LightScribe | 449935-001 |
| | <ul style="list-style-type: none"> • HD-ROM Super Multi Double-Layer Combo Drive with LightScribe | 448006-001 |
| | <ul style="list-style-type: none"> • CD-RW and DVD-ROM Combo Drive | 449937-001 |
| | Cable Kit (not illustrated; see Cable Kit on page 28 for more Cable Kit component information) | 446519-001 |

Display assembly components



| Item | Description | Spare part number |
|------------|---|-------------------|
| (1) | Display bezels | |
| | For use only with computer models equipped with a camera (includes openings for camera and microphones) | 446483-001 |

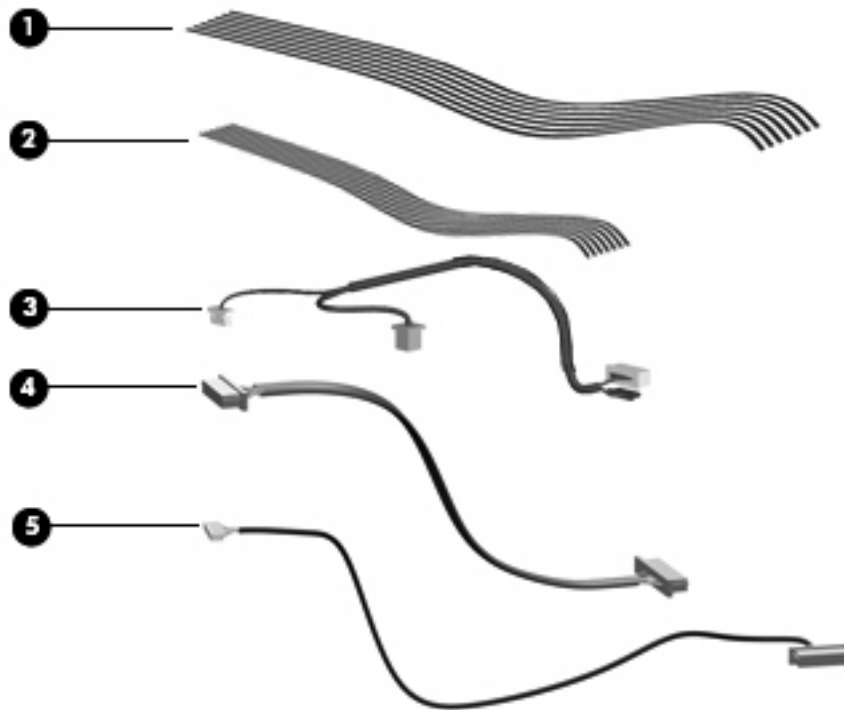
| Item | Description | Spare part number |
|-------------|--|--------------------------|
| | For use only with computer models not equipped with a camera (includes openings for microphones) | 436260-001 |
| | For use only with Best Buy computer models equipped with a camera (includes openings for camera and microphones) | 436260-001 |
| | For use only with Best Buy computer models not equipped with a camera (includes openings for microphones) | 455313-001 |
| (2) | Display Hinge Kit (includes left and right display hinges) | 431395-001 |
| (3) | Display inverter (includes Mylar shield) | 431391-001 |
| (4) | Camera module (includes 2-sided tape) | 446486-001 |
| (5) | Display panel (15.4-inch, WXGA, BrightView; includes display panel cable and camera cable) | 446480-001 |
| (6) | Wireless Antenna Kits | |
| | For use only with computer models equipped with an 802.11a/b/g/n WLAN module (includes 3 transceivers and cables) | 449727-001 |
| | For use only with computer models equipped with an 802.11a/b/g or 802.11b/g WLAN module (includes 2 transceivers and cables) | 431398-001 |
| (7) | Microphone | 431393-001 |
| (8) | Display Cable Kit (includes camera module cable) | 431394-001 |
| (9) | Display enclosures (include logo and WLAN wireless antenna transceivers and cables) | |
| | For use only with HP Pavilion dv6500 and dv6600 Entertainment PC computer models | 446487-001 |
| | For use only with Best Buy computer models | 436261-001 |
| | Display hinge covers (not illustrated) | |
| | For use only with full-featured computer models | 431396-001 |
| | For use only with defeatured computer models | 433289-001 |
| | Display Label Kit (not illustrated) | |
| | For use with computer models with Intel processors | 446525-001 |
| | For use with computer models with AMD processors | 449972-001 |
| | Display Screw Kit (not illustrated) | 431399-001 |

Plastics Kit



| Item | Description | Spare part number |
|------|--|-------------------|
| | Plastics Kit: | 438368-001 |
| (1) | ExpressCard slot bezel | |
| (2) | Hard drive cover (includes 2 captive screws, secured by C-clips) | |
| (3) | Memory/WLAN module compartment cover (includes 2 captive screws, secured by C-clips) | |

Cable Kit



| Item | Description | Spare part number |
|------|---------------------------------|-------------------|
| | Cable Kit: | 446519-001 |
| (1) | LED board cable | |
| (2) | Power button board cable | |
| (3) | USB/power connector board cable | |
| (4) | Audio board cable | |
| (5) | Bluetooth module cable | |

Mass storage devices



| Item | Description | Spare part number |
|------------|--|-------------------|
| (1) | Hard drives (include hard drive bracket) | |
| | 250-GB, 5400-rpm | 453775-001 |
| | 200-GB, 4200-rpm | 451863-001 |
| | 160-GB, 5400-rpm | 451862-001 |
| | 120-GB, 5400-rpm | 446498-001 |
| | 80-GB, 5400-rpm | 446497-001 |
| | 60-GB, 5400-rpm | 446496-001 |
| (2) | Optical drives (include bezel and bracket) | |
| | For use in computer models with Intel processors: | |
| | <ul style="list-style-type: none"> • HD-ROM Drive | 446502-001 |
| | <ul style="list-style-type: none"> • DVD±RW and CD-RW Super Multi Double-Layer Combo Drive with LightScribe | 446501-001 |
| | <ul style="list-style-type: none"> • DVD±RW and CD-RW Super Multi Double-Layer Combo Drive | 446500-001 |
| | <ul style="list-style-type: none"> • DVD/CD-RW Combo Drive | 446499-001 |
| | For use in computer models with AMD processors: | |
| | <ul style="list-style-type: none"> • DVD±RW and CD-RW Super Multi Double-Layer Combo Drive | 448004-001 |
| | <ul style="list-style-type: none"> • CD-RW and DVD-ROM Combo Drive | 449937-001 |
| | <ul style="list-style-type: none"> • DVD±RW and DVD-ROM Super Multi Drive with LightScribe | 449935-001 |
| | <ul style="list-style-type: none"> • HD-ROM Super Multi Double-Layer Combo Drive with LightScribe | 448006-001 |

Miscellaneous parts

| Description | Spare part number |
|---|-------------------|
| AC adapters: | |
| 90-W non-PFC AC adapter | 432309-001 |
| 90-W PFC AC adapter | 453198-001 |
| 65-W non-PFC AC adapter | 402018-001 |
| 65-W PFC AC adapter | 453199-001 |
| ATSC/NTSC TV tuner antenna | 439131-001 |
| ATSC/NTSC/PAL TV tuner | 439130-001 |
| Composite video cable | 407939-001 |
| DVB-T tuner | 412175-001 |
| DVB-T antenna adapter | 412176-001 |
| ExpressCard Kit (includes software CD) | 445170-001 |
| HP backpack | 405527-001 |
| HP carrying case | 418162-001 |
| HP Remote Control | 435743-001 |
| Infrared emitter with cable | 439129-001 |
| Optical wired mouse | 436238-001 |
| RF input adapter cable (without ferrite) | 407940-001 |
| USB digital drive | 364727-002 |
| Windows Vista remote control (fits into ExpressCard slot) | 439128-001 |
| Windows Vista remote control (does not fit into ExpressCard slot) | 439254-001 |
| Wired headset | 371693-001 |
| Wireless laser mouse with cable adapter | 430958-001 |
| Power cords: | |
| Australia and New Zealand | 394279-011 |
| Belgium, Europe, Finland, France, Germany, Greece, the Netherlands, Norway, Portugal, Spain, and Sweden | 394279-021 |
| Canada, French Canada, Latin America, Thailand, and the United States | 394279-001 |
| Denmark | 394279-081 |
| India | 394279-D61 |
| Israel | 394279-BB1 |
| Italy | 394279-061 |
| Japan | 394279-291 |
| South Africa | 394279-AR1 |

| Description | Spare part number |
|--|-------------------|
| South Korea | 394279-AD1 |
| The People's Republic of China | 394279-AA1 |
| Switzerland | 394279-BG1 |
| Taiwan | 394279-AB1 |
| The United Kingdom and Hong Kong | 394279-031 |
| Screw Kit | 434747-001 |
| <ul style="list-style-type: none"> • Hex HM5.0×9.0 standoff • Phillips PM3.0×4.0 screw • Phillips PM2.5×7.0 screw • Phillips PM2.5×5.0 screw • Phillips PM2.5×5.0 captive screw • Phillips PM2.5×4.0 screw • Phillips PM2.5×4.0 captive screw • Phillips PM2.5×2.0 screw • Phillips PM2.0×5.0 captive screw • Phillips PM2.0×3.0 screw • Phillips PM2.0×2.0 screw | |

Sequential part number listing

| Spare part number | Description |
|-------------------|--|
| 364727-002 | USB digital drive |
| 371693-001 | Wired headset with volume control |
| 394279-001 | Power cord for use in the United States |
| 394279-011 | Power cord for use in Australia |
| 394279-021 | Power cord for use in Europe |
| 394279-031 | Power cord for use in the United Kingdom |
| 394279-061 | Power cord for use in Italy |
| 394279-081 | Power cord for use in Denmark |
| 394279-BG1 | Power cord for use in Switzerland |
| 394279-291 | Power cord for use in Japan |
| 394279-AA1 | Power cord for use in the People's Republic of China |
| 394279-AB1 | Power cord for use in Taiwan |

| Spare part number | Description |
|--------------------------|---|
| 394279-AD1 | Power cord for use in South Korea |
| 394279-AR1 | Power cord for use in South Africa |
| 394279-BB1 | Power cord for use in Israel |
| 394279-D61 | Power cord for use in India |
| 402018-001 | 65-watt non-PFC AC adapter |
| 405527-001 | HP backpack |
| 407939-001 | Composite video cable |
| 407940-001 | RF input adapter cable (without ferrite) |
| 412175-001 | DVB-T tuner |
| 412176-001 | DVB-T antenna adapter |
| 412766-002 | Bluetooth module (includes Bluetooth module cable) |
| 418162-001 | HP carrying case |
| 430958-001 | Wireless laser mouse (includes cable adapter) |
| 431391-001 | Display inverter |
| 431393-001 | Microphone (includes receiver and cable) |
| 431394-001 | Display Cable Kit |
| 431395-001 | Display Hinge Kit (includes left and right display hinges) |
| 431396-001 | Display Hinge Cover Kit for use with full-featured computer models |
| 431398-001 | Wireless Antenna Kit for use only with computer models equipped with an 802.11a/b/g or 802.11b/g WLAN module (includes 2 transceivers and cables) |
| 431399-001 | Display Screw Kit |
| 431420-001 | Top cover trim for use with defeatured models |
| 431421-001 | Top cover trim for use with full-featured models |
| 431430-001 | Rubber Kit |
| 431437-001 | Power button board (includes power button board cable) |
| 431439-001 | ExpressCard assembly |
| 431447-001 | Speaker assembly |
| 432309-001 | 90-watt non-PFC AC adapter |
| 433281-001 | Display bezel for use with computer models equipped with microphones |
| 433289-001 | Display hinge covers for use with defeatured computer models |
| 434661-001 | Broadcom 4321AGN 802.11a/b/g/n module for use in the MOW |
| 434661-002 | Broadcom 4321AGN 802.11a/b/g/n module for use in France, Germany, Italy, the Netherlands, Spain, the United Kingdom, Nordic region, and India |
| 434747-001 | Screw Kit |

| Spare part number | Description |
|--------------------------|---|
| 434896-001 | Fan/heat sink assembly for use only with computer models equipped with discrete graphics subsystem memory (includes thermal material) |
| 435743-001 | HP Remote Control |
| 436238-001 | Optical wired mouse |
| 436260-001 | Display bezel for use with Best Buy computer models equipped with camera and microphones |
| 436261-001 | Display enclosure for use with Best Buy computer models |
| 438368-001 | Plastics Kit (see Plastics Kit on page 27 for more Plastics Kit component information) |
| 439128-001 | Windows Vista remote control (fits into ExpressCard slot) |
| 439129-001 | Infrared emitter with cable |
| 439130-001 | ATSC/NTSC/PAL TV tuner |
| 439131-001 | ATSC/NTSC TV tuner antenna |
| 439254-001 | Windows Vista remote control (does not fit into ExpressCard slot) |
| 441075-001 | Broadcom 4311AG 802.11a/b/g module for use in the United States and Canada |
| 441075-002 | Broadcom 4311AG 802.11a/b/g module for use in for use in France, Germany, Italy, the Netherlands, Spain, the United Kingdom, Nordic region, India |
| 441086-001 | Intel 802.11a/b/g/n WLAN module for use in Antigua & Barbuda, Argentina, Aruba, the Bahamas, Barbados, Bermuda, Brunei, Canada, the Cayman Islands, Chile, Colombia, Costa Rica, the Dominican Republic, Ecuador, El Salvador, Guam, Guatemala, Haiti, Honduras, Hong Kong, India, Indonesia, Malaysia, Mexico, Panama, Paraguay, Peru, Saudi Arabia, Taiwan, Uruguay, the United States, Venezuela, and Vietnam |
| 441086-002 | Intel 802.11a/b/g/n WLAN module for use in Austria, Azerbaijan, Bahrain, Belgium, Brazil, Bulgaria, Croatia, Cyprus, the Czech Republic, Denmark, Egypt, Estonia, Finland, France, Georgia, Germany, Greece, Hungary, Iceland, Ireland, Israel, Italy, Latvia, Lebanon, Liechtenstein, Lithuania, Luxembourg, Malta, Monaco, the Netherlands, Norway, Oman, the Philippines, Poland, Portugal, Qatar, Romania, Russia, Serbia and Montenegro, Singapore, Slovakia, Slovenia, South Africa, Spain, Sri Lanka, Sweden, Switzerland, Turkey, Ukraine, the United Kingdom, and Uzbekistan |
| 441086-003 | Intel 802.11a/b/g/n WLAN module for use in Australia, New Zealand, Pakistan, the People's Republic of China, and South Korea |
| 441086-291 | Intel 802.11a/b/g/n WLAN module for use in Japan |
| 441086-AD1 | Intel 802.11a/b/g/n WLAN module for use in South Korea |
| 441087-002 | Intel 802.11a/b/g/n WLAN module for use in Austria, Azerbaijan, Bahrain, Belgium, Brazil, Bulgaria, Croatia, Cyprus, the Czech Republic, Denmark, Egypt, Estonia, Finland, France, Georgia, Germany, Greece, Hungary, Iceland, Ireland, Israel, Italy, Latvia, Lebanon, Liechtenstein, Lithuania, Luxembourg, Malta, Monaco, the Netherlands, Norway, Oman, the Philippines, Poland, Portugal, Qatar, Romania, Russia, Serbia and Montenegro, Singapore, Slovakia, Slovenia, South Africa, Spain, Sri Lanka, Sweden, Switzerland, Turkey, Ukraine, the United Kingdom, and Uzbekistan |
| 441088-003 | Intel 802.11a/b/g/n WLAN module for use in Australia, New Zealand, Pakistan, the People's Republic of China, and South Korea |
| 441089-291 | Intel 802.11a/b/g/n WLAN module for use in Japan |
| 441090-001 | Broadcom 802.11b/g WLAN module for use in MOW |
| 441090-002 | Broadcom 802.11b/g WLAN module for use in ROW |
| 441090-291 | Broadcom 802.11b/g WLAN module for use in Japan |

| Spare part number | Description |
|--------------------------|--|
| 441426-001 | Keyboard for use in the United States with Best Buy computer models |
| 441426-161 | Keyboard for use in Latin America |
| 441427-001 | Keyboard for use in the United States |
| 441427-031 | Keyboard for use in the United Kingdom |
| 441427-041 | Keyboard for use in Germany |
| 441427-051 | Keyboard for use in France |
| 441427-061 | Keyboard for use in Italy |
| 441427-071 | Keyboard for use in Spain |
| 441427-081 | Keyboard for use in Denmark |
| 441427-111 | Keyboard for use in Switzerland |
| 441427-121 | Keyboard for use in French Canada |
| 441427-131 | Keyboard for use in Portugal |
| 441427-141 | Keyboard for use in Turkey |
| 441427-151 | Keyboard for use in Greece |
| 441427-171 | Keyboard for use in Saudi Arabia |
| 441427-201 | Keyboard for use in Brazil |
| 441427-221 | Keyboard for use in the Czech Republic |
| 441427-251 | Keyboard for use in Russia |
| 441427-281 | Keyboard for use in Thailand |
| 441427-291 | Keyboard for use in Japan |
| 441427-A41 | Keyboard for use in Belgium |
| 441427-AB1 | Keyboard for use in Taiwan |
| 441427-AD1 | Keyboard for use in South Korea |
| 441427-B31 | Keyboard for use in the Netherlands and Europe |
| 441427-BB1 | Keyboard for use in Israel |
| 441427-DH1 | Keyboard for use in Finland, Norway, and Sweden |
| 443689-031 | Keyboard for use in the United Kingdom with Best Buy computer models |
| 443689-041 | Keyboard for use in Germany with Best Buy computer models |
| 443689-051 | Keyboard for use in France with Best Buy computer models |
| 443689-061 | Keyboard for use in Italy with Best Buy computer models |
| 443689-071 | Keyboard for use in Spain with Best Buy computer models |
| 443689-131 | Keyboard for use in Portugal with Best Buy computer models |
| 443689-141 | Keyboard for use in Turkey with Best Buy computer models |
| 443689-171 | Keyboard for use in Saudi Arabia with Best Buy computer models |

| Spare part number | Description |
|--------------------------|---|
| 443689-251 | Keyboard for use in Russia with Best Buy computer models |
| 443689-281 | Keyboard for use in Thailand with Best Buy computer models |
| 443689-291 | Keyboard for use in Japan with Best Buy computer models |
| 443689-A41 | Keyboard for use in Belgium with Best Buy computer models |
| 443689-AB1 | Keyboard for use in Taiwan with Best Buy computer models |
| 443689-AD1 | Keyboard for use in South Korea with Best Buy computer models |
| 443689-B31 | Keyboard for use in the Netherlands and Europe with Best Buy computer models |
| 443689-DH1 | Keyboard for use in Finland, Norway, and Sweden with Best Buy computer models |
| 445170-001 | ExpressCard Kit (includes software CD) |
| 446476-001 | System board for use only with computer models with Intel processors equipped with discrete graphics subsystem memory (includes 128 MB of graphics subsystem memory and thermal material) |
| 446477-001 | System board for use only with computer models with Intel processors equipped with UMA graphics subsystem memory |
| 446478-001 | Intel Core Duo T7300 2.0-GHz processor (4-MB L2 cache; includes thermal material) |
| 446479-001 | Intel Core Duo T7100 1.8-GHz, processor (2-MB L2 cache; includes thermal material) |
| 446480-001 | 15.4-inch, WXGA, BrightView display panel for use only with Best Buy computer models |
| 446481-001 | 15.4-inch, WXGA, BrightView display assembly for use only with computer models equipped with a camera and microphones |
| 446482-001 | 15.4-inch, WXGA, BrightView display assembly for use only with computer models not equipped with a camera |
| 446483-001 | Display bezel for use only with computer models equipped with a camera |
| 446486-001 | Camera module (includes 2-sided tape) |
| 446487-001 | Display enclosure |
| 446494-001 | 512-MB memory module (667-MHz, PC2-5300, 1-DIMM) |
| 446495-001 | 1024-MB memory module (667-MHz, PC2-5300, 1-DIMM) |
| 446496-001 | 60-GB, 5400-rpm hard drive (includes hard drive bracket) |
| 446497-001 | 80-GB, 5400-rpm hard drive (includes hard drive bracket) |
| 446498-001 | 120-GB, 5400-rpm hard drive (includes hard drive bracket) |
| 446499-001 | DVD/CD-RW Combo Drive for use in computer models with Intel processors |
| 446500-001 | DVD±RW and CD-RW Super Multi Double-Layer Combo Drive for use in computer models with Intel processors |
| 446501-001 | DVD±RW and CD-RW Super Multi Double-Layer Combo Drive with LightScribe for use in computer models with Intel processors |
| 446502-001 | HD-ROM Drive for use in computer models with Intel processors |
| 446506-001 | 6-cell, 2.20-Ah battery |
| 446507-001 | 6-cell, 2.55-Ah battery |

| Spare part number | Description |
|--------------------------|--|
| 446508-001 | Top cover for use only with computer models not equipped with a fingerprint reader (includes TouchPad and cable) |
| 446509-001 | Top cover for use only with computer models equipped with a fingerprint reader (includes TouchPad and cable and fingerprint reader board and cable) |
| 446511-001 | Fingerprint reader board for use in computer models with Intel processors (includes fingerprint reader board cable) |
| 446512-001 | Switch cover (includes LED board and cable) |
| 446513-001 | Base enclosure for use only with full-featured models that use discrete graphics subsystem memory (includes wireless switch actuator and infrared lens) |
| 446518-001 | RTC battery (includes 2-sided tape) |
| 446519-001 | Cable Kit (see Cable Kit on page 28 for more Cable Kit component information) |
| 446521-001 | Fan/heat sink assembly for use only with computer models with Intel processor and equipped with UMA graphics subsystem memory (includes thermal material) |
| 446523-001 | Audio board for use with full-featured models (includes audio connectors, audio board cable, and infrared lens) |
| 446524-001 | USB/power connector board for use only with computer models that use a 90-watt AC adapter (includes USB/power connector board cable) |
| 446525-001 | Display Label Kit for use with computer models with Intel processors |
| 448004-001 | DVD±RW and CD-RW Super Multi Double-Layer Combo Drive for use in computer models with AMD processors |
| 448006-001 | HD-ROM Super Multi Double-Layer Combo Drive with LightScribe for use in computer models with AMD processors |
| 448342-001 | Base enclosure for use only with full-featured computer models with Intel processors that use UMA graphics subsystem memory (includes wireless switch actuator and infrared lens) |
| 449454-001 | USB/power connector board for use only with computer models that use a 65-watt AC adapter (includes USB/power connector board cable) |
| 449727-001 | Wireless Antenna Kit for use only with computer models equipped with an 802.11a/b/g/n WLAN module (includes 3 transceivers and cables) |
| 449729-001 | RTC battery (includes 2-sided tape) |
| 449902-001 | System board (includes modem cable and thermal material) for use only in full-featured computer models with AMD processors equipped with discrete graphics subsystem memory |
| 449903-001 | System board (includes modem cable and thermal material) for use only in full-featured computer models with AMD processors equipped with UMA graphics subsystem memory |
| 449904-001 | AMD Turion MK-38 processor (2.2-GHz, 512-MB L2 cache) |
| 449935-001 | DVD±RW and DVD-ROM Super Multi Drive with LightScribe for use in computer models with AMD processors |
| 449937-001 | CD-RW and DVD-ROM Combo Drive for use in computer models with AMD processors |
| 449942-001 | Top cover for use only in full-featured computer models with AMD processors equipped with a fingerprint reader (includes TouchPad, TouchPad cable, fingerprint reader board, and fingerprint reader board cable) |
| 449944-001 | Fingerprint reader board for use in computer models with AMD processors (includes fingerprint reader board cable) |

| Spare part number | Description |
|--------------------------|--|
| 449955-001 | Cable Kit (see Cable Kit on page 28 for more Cable Kit component information) |
| 449960-001 | Fan/heat sink assembly for use only with computer models with AMD processors and equipped with discrete graphics subsystem memory (includes thermal material) |
| 449967-001 | Audio board for use with defeatured models (includes audio connectors, audio board cable, and infrared lens) |
| 449972-001 | Display Label Kit for use with computer models with AMD processors |
| 450370-001 | Processor bracket for use with 7.9 processors |
| 450371-001 | Processor bracket for use with 8.1 processors |
| 450801-001 | AMD Turion TL-56 processor (1.8-GHz, 1-MB L2 cache) |
| 450802-001 | AMD Turion TL-58 processor (1.9-GHz, 1-MB L2 cache) |
| 450803-001 | AMD Turion TL-60 processor (2.0-GHz, 1-MB L2 cache) |
| 450804-001 | AMD Turion TL-66 processor (2.3-GHz, 1-MB L2 cache) |
| 450933-001 | Fan/heat sink assembly for use only with computer models with Intel processors and equipped with discrete graphics subsystem memory (includes thermal material) |
| 451013-001 | AMD Athlon TK-53 processor (1.7-GHz, 512-MB L2 cache) |
| 451408-001 | Top cover for use only in defeatured computer models with AMD processors equipped with a fingerprint reader (includes TouchPad, TouchPad cable, fingerprint reader board, and fingerprint reader board cable) |
| 451860-001 | Fan/heat sink assembly for use only with computer models with AMD processors and equipped with UMA graphics subsystem memory (includes thermal material) |
| 451861-001 | Intel 802.11a/b/g WLAN module for use in Antigua & Barbuda, Argentina, Australia, the Bahamas, Barbados, Brunei, Canada, Chile, the Dominican Republic, Guam, Guatemala, Hong Kong, India, Indonesia, Malaysia, Mexico, New Zealand, Panama, Paraguay, Saudi Arabia, Taiwan, the United States, and Vietnam |
| 451861-002 | Intel 802.11a/b/g WLAN module for use in Aruba, Austria, Azerbaijan, Bahrain, Belgium, Bermuda, Brazil, Bulgaria, the Cayman Islands, Colombia, Croatia, Cyprus, the Czech Republic, Denmark, Egypt, El Salvador, Estonia, Finland, France, Georgia, Germany, Greece, Hungary, Iceland, Ireland, Italy, Jordan, Latvia, Lebanon, Liechtenstein, Lithuania, Luxembourg, Malta, Monaco, the Netherlands, Norway, Oman, the Philippines, Poland, Portugal, Romania, Russia, Serbia and Montenegro, Singapore, Slovakia, Slovenia, South Africa, Spain, Sri Lanka, Sweden, Switzerland, Turkey, the United Kingdom, and Uzbekistan |
| 451861-003 | Intel 802.11a/b/g WLAN module for use in Ecuador, Haiti, Honduras, Pakistan, the People's Republic of China, Peru, Qatar, South Korea, Uruguay, and Venezuela |
| 451861-004 | Intel 802.11b/g WLAN module for use in Thailand |
| 451861-291 | Intel 802.11a/b/g WLAN module for use in Japan |
| 451862-001 | 160-GB, 5400-rpm hard drive (includes hard drive bracket) |
| 451863-001 | 200-GB, 4200-rpm hard drive (includes hard drive bracket) |
| 451864-001 | 12-cell, 8.80-Ah battery |
| 452634-001 | Top cover for use only with Best Buy computer models not equipped with a fingerprint reader (includes TouchPad and cable) |
| 452635-001 | Top cover for use only with Best Buy computer models equipped with a fingerprint reader (includes TouchPad and cable and fingerprint reader board and cable) |

| Spare part number | Description |
|--------------------------|--|
| 452636-001 | Keyboard for use in the United States with Best Buy computer models |
| 452636-031 | Keyboard for use in the United Kingdom with Best Buy computer models |
| 452636-051 | Keyboard for use in France with Best Buy computer models |
| 452636-061 | Keyboard for use in Italy with Best Buy computer models |
| 452636-071 | Keyboard for use in Spain with Best Buy computer models |
| 452636-131 | Keyboard for use in Portugal with Best Buy computer models |
| 452636-141 | Keyboard for use in Turkey with Best Buy computer models |
| 452636-171 | Keyboard for use in the United Kingdom with Best Buy computer models |
| 452636-B31 | Keyboard for use in the Netherlands and Europe with Best Buy computer models |
| 452636-DH1 | Keyboard for use in Finland, Norway, and Sweden with Best Buy computer models |
| 453033-001 | Intel Core Duo T5250 1.5-GHz processor (2-MB L2 cache; includes thermal material) |
| 453198-001 | 90-watt PFC AC adapter |
| 453199-001 | 65-watt PFC AC adapter |
| 453769-001 | System board for use only with computer models with Intel processors equipped with UMA graphics subsystem memory (includes thermal material) |
| 453771-001 | Intel Core 2 Duo 2.2-GHz processor (4-MB L2 cache, 800-MHz FSB; includes thermal material) |
| 453772-001 | Intel Core 2 Duo 1.5-GHz processor (2-MB L2 cache, 667-MHz FSB; includes thermal material) |
| 453772-001 | Intel Core 2 Duo 1.86-GHz processor (1-MB L2 cache, 553-MHz FSB; includes thermal material) |
| 453774-001 | 2048-MB memory module (PC2-5300, DDR2, 667-MHz) |
| 453775-001 | 250-GB, 5400-rpm hard drive (includes hard drive bracket) |
| 454172-001 | Base enclosure for use only in defeatured models with AMD processors (includes wireless switch actuator and infrared lens) |
| 455311-001 | 15.4-inch, WXGA, BrightView display panel for use only with Best Buy computer models equipped with a camera, microphones, and a fingerprint reader |
| 455312-001 | 15.4-inch, WXGA, BrightView display panel for use only with Best Buy computer models equipped with a camera and microphones |
| 455313-001 | Display bezel for use only with Best Buy computer models not equipped with a camera (includes openings for microphones) |
| 455515-001 | Intel Core 2 Duo 2.0-GHz processor (2-MB L2 cache, 800-MHz FSB; includes thermal material) |
| 455943-001 | Intel Core Duo T2310 1.46-GHz processor (1-MB L2 cache, 533-MHz FSB) |
| 455944-001 | Intel Core Duo T2330 1.6-GHz processor (1-MB L2 cache, 533-MHz FSB) |
| 457315-001 | Intel Celeron M530 1.73-GHz processor (1-MB L2 cache, 533-MHz FSB) |
| 457437-001 | 2048-MB memory module (PC2-5300, 667-MHz) |
| 458603-001 | Top cover for use only with Best Buy computer models equipped with a fingerprint reader (includes TouchPad and cable and fingerprint reader board and cable) |

4 Removal and replacement procedures

Preliminary replacement requirements


Tools required

You will need the following tools to complete the removal and replacement procedures:

- Flat-bladed screwdriver
- Hex 5.0-mm nut driver
- Magnetic screwdriver
- Phillips P0 and P1 screwdrivers

Service considerations

The following sections include some of the considerations that you must keep in mind during disassembly and assembly procedures.

 **NOTE:** As you remove each subassembly from the computer, place the subassembly (and all accompanying screws) away from the work area to prevent damage.

Plastic parts

Using excessive force during disassembly and reassembly can damage plastic parts. Use care when handling the plastic parts. Apply pressure only at the points designated in the maintenance instructions.

Cables and connectors

-
- △ **CAUTION:** When servicing the computer, be sure that cables are placed in their proper locations during the reassembly process. Improper cable placement can damage the computer.
-

Cables must be handled with extreme care to avoid damage. Apply only the tension required to unseat or seat the cables during removal and insertion. Handle cables by the connector whenever possible. In all cases, avoid bending, twisting, or tearing cables. Be sure that cables are routed in such a way that they cannot be caught or snagged by parts being removed or replaced. Handle flex cables with extreme care; these cables tear easily.

Drive handling

-
- △ **CAUTION:** Drives are fragile components that must be handled with care. To prevent damage to the computer, damage to a drive, or loss of information, observe these precautions:
-

Before removing or inserting a hard drive, shut down the computer. If you are unsure whether the computer is off or in Hibernation, turn the computer on, and then shut it down through the operating system.

Before handling a drive, be sure that you are discharged of static electricity. While handling a drive, avoid touching the connector.

Before removing a diskette drive or optical drive, be sure that a diskette or disc is not in the drive and be sure that the optical drive tray is closed.

Handle drives on surfaces covered with at least one inch of shock-proof foam.

Avoid dropping drives from any height onto any surface.

After removing a hard drive, an optical drive, or a diskette drive, place it in a static-proof bag.

Avoid exposing a hard drive to products that have magnetic fields, such as monitors or speakers.

Avoid exposing a drive to temperature extremes or liquids.

If a drive must be mailed, place the drive in a bubble pack mailer or other suitable form of protective packaging and label the package "FRAGILE."

Grounding guidelines

Electrostatic discharge damage

Electronic components are sensitive to electrostatic discharge (ESD). Circuitry design and structure determine the degree of sensitivity. Networks built into many integrated circuits provide some protection, but in many cases, ESD contains enough power to alter device parameters or melt silicon junctions.

A discharge of static electricity from a finger or other conductor can destroy static-sensitive devices or microcircuitry. Even if the spark is neither felt nor heard, damage may have occurred.

An electronic device exposed to ESD may not be affected at all and can work perfectly throughout a normal cycle. Or the device may function normally for a while, then degrade in the internal layers, reducing its life expectancy.

△ **CAUTION:** To prevent damage to the computer when you are removing or installing internal components, observe these precautions:

Keep components in their electrostatic-safe containers until you are ready to install them.

Use nonmagnetic tools.

Before touching an electronic component, discharge static electricity by using the guidelines described in this section.

Avoid touching pins, leads, and circuitry. Handle electronic components as little as possible.

If you remove a component, place it in an electrostatic-safe container.

The following table shows how humidity affects the electrostatic voltage levels generated by different activities.

△ **CAUTION:** A product can be degraded by as little as 700 V.

| Typical electrostatic voltage levels | | | |
|--------------------------------------|-------------------|----------|---------|
| Event | Relative humidity | | |
| | 10% | 40% | 55% |
| Walking across carpet | 35,000 V | 15,000 V | 7,500 V |
| Walking across vinyl floor | 12,000 V | 5,000 V | 3,000 V |
| Motions of bench worker | 6,000 V | 800 V | 400 V |
| Removing DIPS from plastic tube | 2,000 V | 700 V | 400 V |
| Removing DIPS from vinyl tray | 11,500 V | 4,000 V | 2,000 V |
| Removing DIPS from Styrofoam | 14,500 V | 5,000 V | 3,500 V |
| Removing bubble pack from PCB | 26,500 V | 20,000 V | 7,000 V |
| Packing PCBs in foam-lined box | 21,000 V | 11,000 V | 5,000 V |

Packaging and transporting guidelines

Follow these grounding guidelines when packaging and transporting equipment:

- To avoid hand contact, transport products in static-safe tubes, bags, or boxes.
- Protect ESD-sensitive parts and assemblies with conductive or approved containers or packaging.
- Keep ESD-sensitive parts in their containers until the parts arrive at static-free workstations.
- Place items on a grounded surface before removing items from their containers.
- Always be properly grounded when touching a component or assembly.
- Store reusable ESD-sensitive parts from assemblies in protective packaging or nonconductive foam.
- Use transporters and conveyors made of antistatic belts and roller bushings. Be sure that mechanized equipment used for moving materials is wired to ground and that proper materials are selected to avoid static charging. When grounding is not possible, use an ionizer to dissipate electric charges.

Workstation guidelines

Follow these grounding workstation guidelines:

- Cover the workstation with approved static-shielding material.
- Use a wrist strap connected to a properly grounded work surface and use properly grounded tools and equipment.
- Use conductive field service tools, such as cutters, screwdrivers, and vacuums.
- When fixtures must directly contact dissipative surfaces, use fixtures made only of static-safe materials.
- Keep the work area free of nonconductive materials, such as ordinary plastic assembly aids and Styrofoam.
- Handle ESD-sensitive components, parts, and assemblies by the case or PCM laminate. Handle these items only at static-free workstations.
- Avoid contact with pins, leads, or circuitry.
- Turn off power and input signals before inserting or removing connectors or test equipment.

Equipment guidelines

Grounding equipment must include either a wrist strap or a foot strap at a grounded workstation.

- When seated, wear a wrist strap connected to a grounded system. Wrist straps are flexible straps with a minimum of one megohm $\pm 10\%$ resistance in the ground cords. To provide proper ground, wear a strap snugly against the skin at all times. On grounded mats with banana-plug connectors, use alligator clips to connect a wrist strap.
- When standing, use foot straps and a grounded floor mat. Foot straps (heel, toe, or boot straps) can be used at standing workstations and are compatible with most types of shoes or boots. On conductive floors or dissipative floor mats, use foot straps on both feet with a minimum of one megohm resistance between the operator and ground. To be effective, the conductive strips must be worn in contact with the skin.

The following grounding equipment is recommended to prevent electrostatic damage:

- Antistatic tape
- Antistatic smocks, aprons, and sleeve protectors
- Conductive bins and other assembly or soldering aids
- Nonconductive foam
- Conductive tabletop workstations with ground cords of one megohm resistance
- Static-dissipative tables or floor mats with hard ties to the ground
- Field service kits
- Static awareness labels
- Material-handling packages
- Nonconductive plastic bags, tubes, or boxes
- Metal tote boxes
- Electrostatic voltage levels and protective materials

The following table lists the shielding protection provided by antistatic bags and floor mats.

| Material | Use | Voltage protection level |
|-----------------------|------------|--------------------------|
| Antistatic plastic | Bags | 1,500 V |
| Carbon-loaded plastic | Floor mats | 7,500 V |
| Metallized laminate | Floor mats | 5,000 V |

Unknown user password

If the computer you are servicing has an unknown user password, follow these steps to clear the password.

 **NOTE:** These steps also clear CMOS.

Before disassembling the computer, follow these steps:

1. Shut down the computer. If you are unsure whether the computer is off or in Hibernation, turn the computer on, and then shut it down through the operating system.
2. Disconnect all external devices connected to the computer.
3. Disconnect the power from the computer by first unplugging the power cord from the AC outlet and then unplugging the AC adapter from the computer.
4. Remove the battery (see [Battery on page 46](#)).
5. Remove the RTC battery (see [RTC battery on page 55](#)).
6. Wait approximately 5 minutes.
7. Replace the RTC battery and reassemble the computer.
8. Connect AC power to the computer. Do not reinsert any batteries at this time.
9. Turn on the computer.

All passwords and all CMOS settings have been cleared.

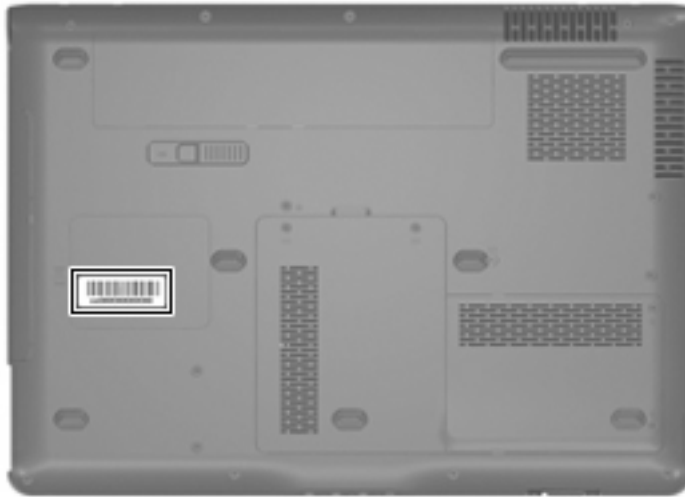
Component replacement procedures

This chapter provides removal and replacement procedures.

There are as many as 83 screws and standoffs, in 12 different sizes, that must be removed, replaced, or loosened when servicing the computer. Make special note of each screw and standoff size and location during removal and replacement.

Serial number

Report the computer serial number to HP when requesting information or ordering spare parts. The serial number is located on the bottom of the computer.



Battery

| Description | Spare part number |
|---------------------------------|-------------------|
| 12-cell, 8.80-Ah Li-ion battery | 451864-001 |
| 6-cell, 2.55-Ah Li-ion battery | 446507-001 |
| 6-cell, 2.20-Ah Li-ion battery | 446506-001 |

Before disassembling the computer, follow these steps:

1. Shut down the computer. If you are unsure whether the computer is off or in Hibernation, turn the computer on, and then shut it down through the operating system.
2. Disconnect all external devices connected to the computer.
3. Disconnect the power from the computer by first unplugging the power cord from the AC outlet and then unplugging the AC adapter from the computer.


Remove the battery:

1. Turn the computer upside down on a flat surface.
2. Slide the battery release latch **(1)** to release the battery.
3. Pivot the battery **(2)** upward and remove it from the computer.



To insert the battery, insert the rear edge of the battery into the battery bay and pivot the battery downward until it is seated. The battery release latch automatically locks the battery into place.

Camera module

 **NOTE:** If it has been determined that the camera module is the component that must be replaced to complete the computer repair, the display assembly does not have to be removed. Follow the procedures in this section to replace the camera module. For information on replacing the display assembly and other display assembly internal components, see [Display assembly on page 68](#).


| Description | Spare part number |
|---------------------------------------|-------------------|
| Camera module (includes 2-sided tape) | 446486-001 |

Before removing the camera module, follow these steps:

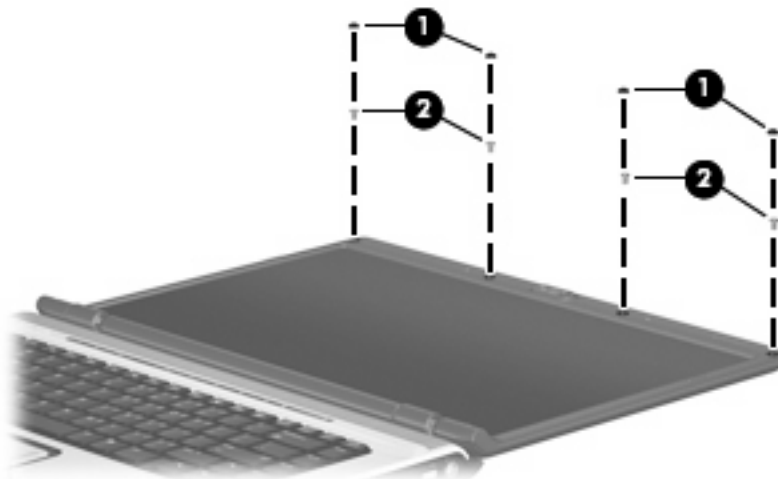
1. Shut down the computer. If you are unsure whether the computer is off or in Hibernation, turn the computer on, and then shut it down through the operating system.
2. Disconnect all external devices connected to the computer.
3. Disconnect the power from the computer by first unplugging the power cord from the AC outlet and then unplugging the AC adapter from the computer.
4. Remove the battery (see [Battery on page 46](#)).

Remove the camera module:

1. Turn the computer display-side up, with the front toward you.
2. Open the computer as far as possible.
3. Remove the four rubber screw covers **(1)** on the display bezel top edge.

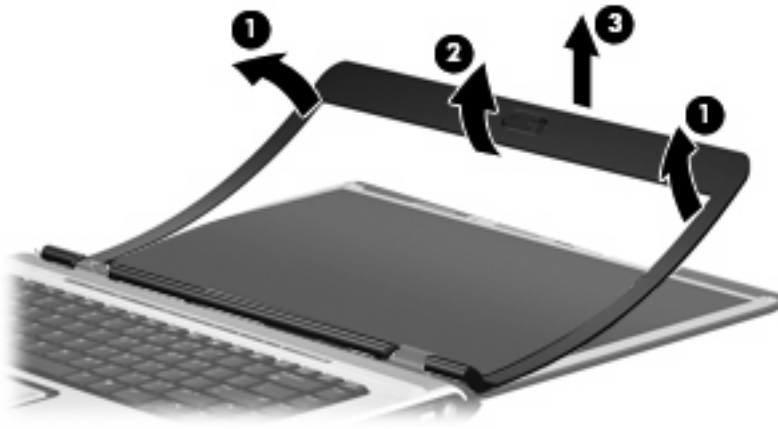
 **NOTE:** The display rubber screw covers are included in the Display Screw Kit, spare part number 431399-001.

4. Remove the four Phillips PM2.5×5.0 screws **(2)** on the display bezel top edge.

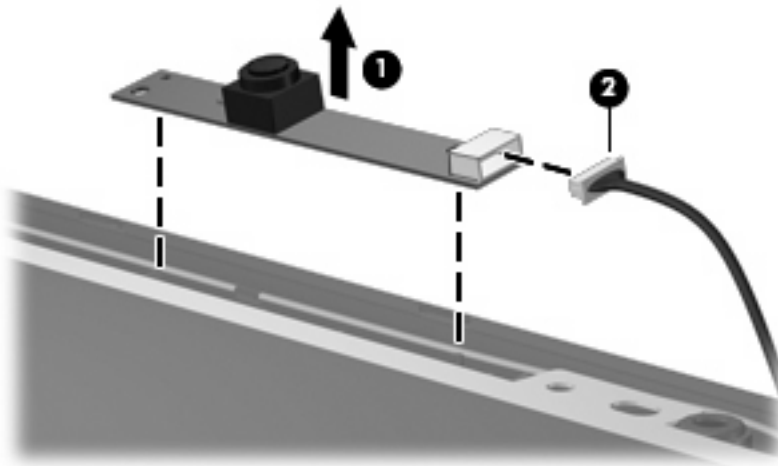


5. Flex the inside edges of the left and right sides **(1)** and the top edge **(2)** of the display bezel until the bezel disengages from the display enclosure.

6. Release the display bezel top edge **(3)**.




7. Release the camera module **(1)** from the display enclosure as far as the camera module cable allows.
8. Disconnect the camera module cable **(2)** from the camera module.



9. Remove the camera module.

Reverse this procedure to install the camera module.

Display inverter

 **NOTE:** If it has been determined that the display inverter is the component that must be replaced to complete the computer repair, the display assembly does not have to be removed. Follow the procedures in this section to replace the display inverter. For information on replacing the display assembly and other display assembly internal components, see [Display assembly on page 68](#).

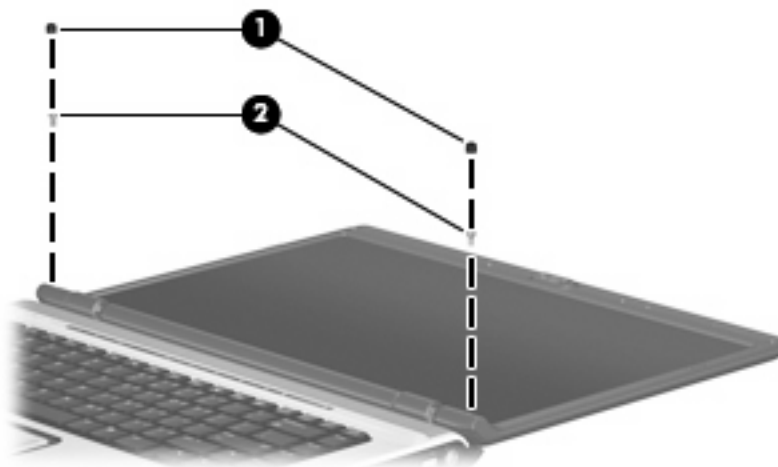
| Description | Spare part number |
|--|-------------------|
| Display inverter (includes 2-sided tape) | 431391-001 |

Before removing the display inverter, follow these steps:

1. Shut down the computer. If you are unsure whether the computer is off or in Hibernation, turn the computer on, and then shut it down through the operating system.
2. Disconnect all external devices connected to the computer.
3. Disconnect the power from the computer by first unplugging the power cord from the AC outlet and then unplugging the AC adapter from the computer.
4. Remove the battery (see [Battery on page 46](#)).

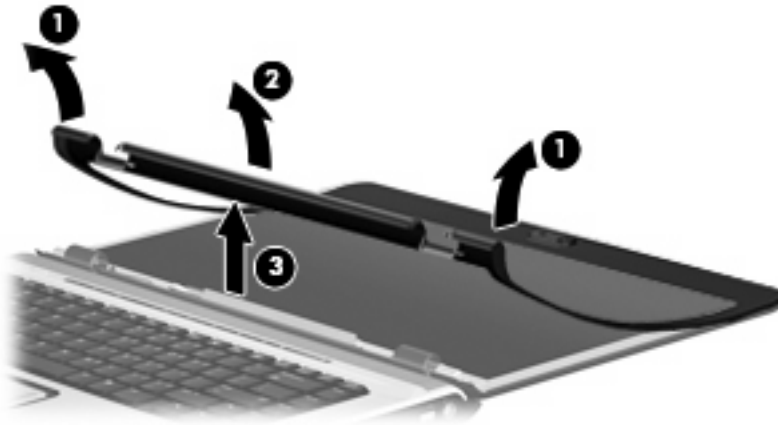
Remove the display inverter:

1. Turn the computer display-side up, with the front toward you.
2. Open the computer as far as possible.
3. Remove the two rubber screw covers **(1)** on the display bezel bottom edge. The display rubber screw covers are included in the Display Screw Kit, spare part number 431399-001.
4. Remove the two Phillips PM2.5×5.0 screws **(2)** that secure the display bezel bottom edge to the display assembly.

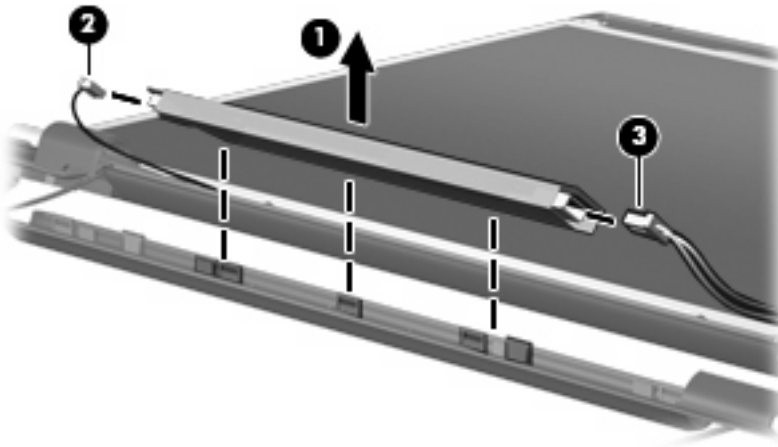


5. Flex the inside edges of the left and right sides **(1)** and the bottom edge **(2)** of the display bezel until the bezel disengages from the display enclosure.

6. Release the display bezel bottom edge **(3)**.




7. Release the display inverter **(1)** as far as the display panel cable and the backlight cable allow.
8. Disconnect the display panel cable **(2)** and the backlight cable **(3)** from the display inverter.



9. Remove the display inverter.

Reverse this procedure to install the display inverter.

Hard drive

 **NOTE:** All hard drive spare part kits include a hard drive bracket.

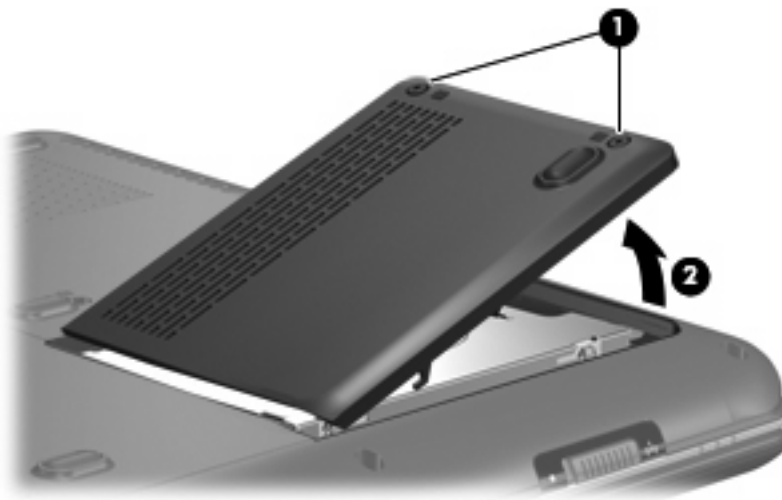
| Description | Spare part number |
|------------------|-------------------|
| 250-GB, 5400-rpm | 453775-001 |
| 200-GB, 4200-rpm | 451863-001 |
| 160-GB, 5400-rpm | 451862-001 |
| 120-GB, 5400-rpm | 446498-001 |
| 80-GB, 5400-rpm | 446497-001 |
| 60-GB, 5400-rpm | 446496-001 |

Before removing the hard drive, follow these steps:

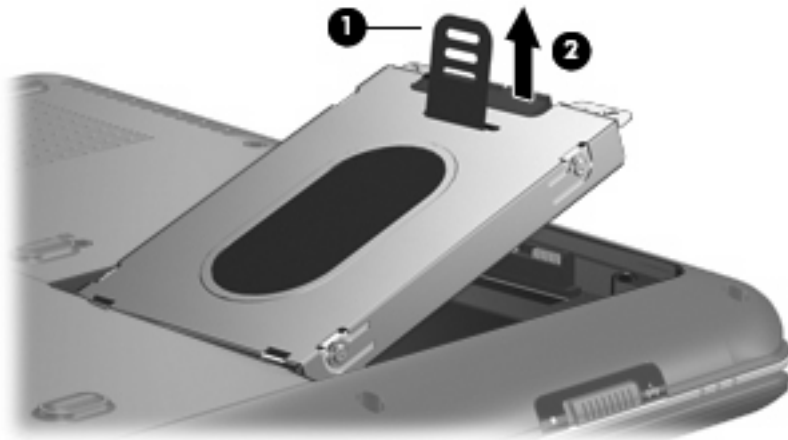
1. Shut down the computer. If you are unsure whether the computer is off or in Hibernation, turn the computer on, and then shut it down through the operating system.
2. Disconnect all external devices connected to the computer.
3. Disconnect the power from the computer by first unplugging the power cord from the AC outlet and then unplugging the AC adapter from the computer.
4. Remove the battery (see [Battery on page 46](#)).

Remove the hard drive:

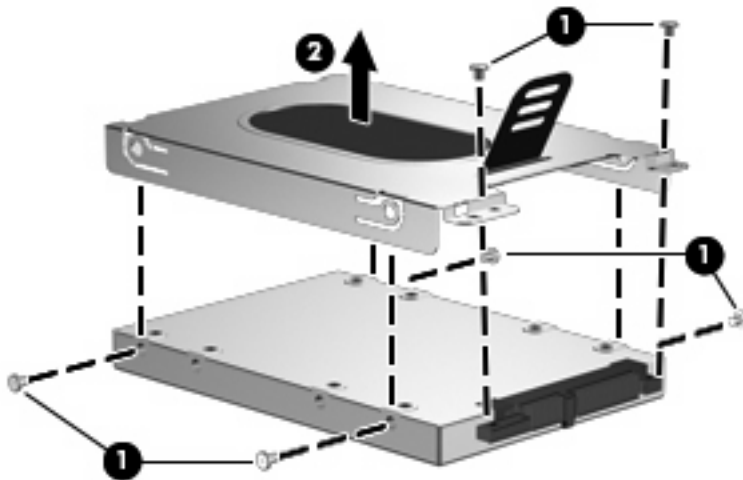
1. Position the computer with the front toward you.
2. Loosen the two Phillips PM2.0×5.0 screws **(1)** that secure the hard drive cover to the computer.
3. Lift the right side of the hard drive cover **(2)**, swing it to left, and remove the cover. The hard drive cover is included in the Plastics Kit, spare part number 438368-001.



4. Use the Mylar tab **(1)** to lift the hard drive **(2)** until it disconnects from the computer.



5. Remove the hard drive from the hard drive bay.
6. If it is necessary to remove the hard drive bracket, remove the four Phillips PM3.0x3.0 hard drive bracket screws **(1)** that secure the hard drive bracket to the hard drive.
7. Lift the bracket **(2)** straight up to remove it from the hard drive.

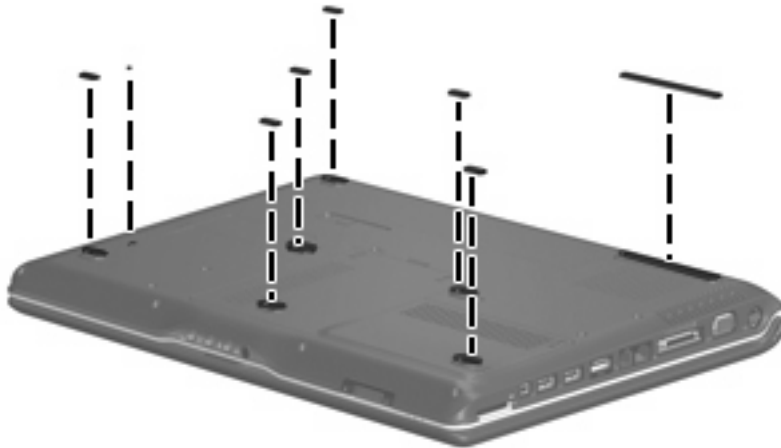


Reverse this procedure to reassemble and install the hard drive.

Computer feet

| Description | Spare part number |
|---|-------------------|
| Rubber Kit (includes base enclosure rubber feet and display bezel screw covers) | 431430-001 |

The computer feet are adhesive-backed rubber pads. The feet attach to the base enclosure in the locations illustrated below.



Memory module

| Description | Spare part number |
|-----------------------------------|---------------------------|
| 2048-MB (PC2-5300, 667-MHz, DDR2) | 453774-001 and 457437-001 |
| 1024-MB (PC2-5300, 667-MHz, DDR2) | 446495-001 |
| 512-MB (PC2-5300, 667-MHz, DDR2) | 446494-001 |

Before removing the memory module, follow these steps:

1. Shut down the computer. If you are unsure whether the computer is off or in Hibernation, turn the computer on, and then shut it down through the operating system.
2. Disconnect all external devices connected to the computer.
3. Disconnect the power from the computer by first unplugging the power cord from the AC outlet and then unplugging the AC adapter from the computer.
4. Remove the battery (see [Battery on page 46](#)).


Remove the memory module:

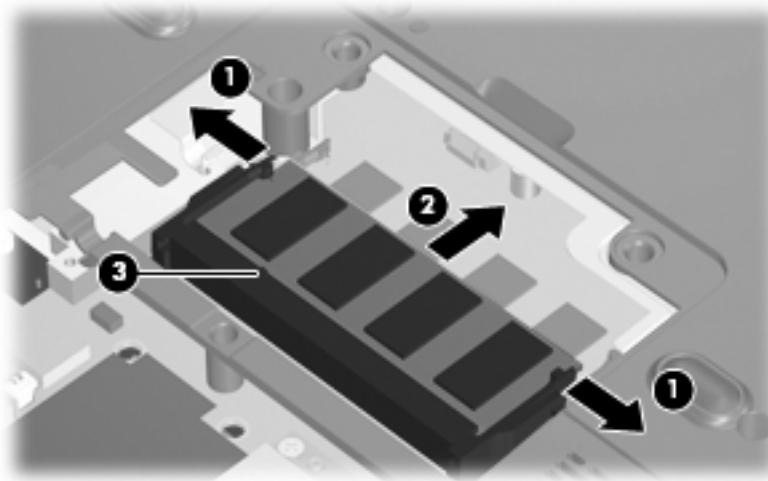
1. Position the computer with the front toward you.
2. Loosen the two Phillips PM2.0×5.0 screws **(1)** that secure the memory/WLAN module compartment cover to the computer.

3. Lift the left side of the cover **(2)**, swing it to the right, and remove the cover. The memory/WLAN module compartment cover is included in the Plastics Kit, spare part number 438368-001.




4. Spread the retaining tabs **(1)** on each side of the memory module slot to release the memory module. (The edge of the module opposite the slot rises away from the computer.)
5. Remove the module **(2)** by pulling it away from the slot at an angle.

 **NOTE:** Memory modules are designed with a notch **(3)** to prevent incorrect installation into the memory module slot.



Reverse this procedure to install a memory module.

RTC battery

 **NOTE:** Removing the RTC battery and leaving it uninstalled for 5 or more minutes causes all passwords and CMOS settings to be cleared.

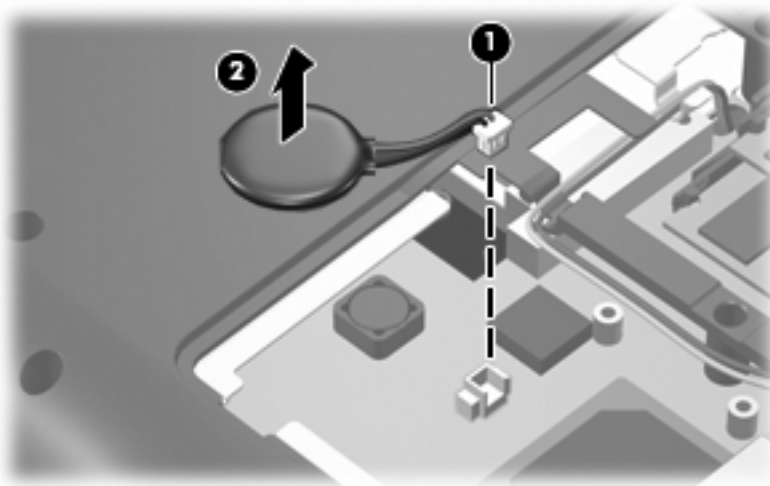
| Description | Spare part number |
|-------------------------------------|------------------------------|
| RTC battery (includes 2-sided tape) | 446518-001 and 449729-001 |

Before removing the RTC battery, follow these steps:

1. Shut down the computer. If you are unsure whether the computer is off or in Hibernation, turn the computer on, and then shut it down through the operating system.
2. Disconnect all external devices connected to the computer.
3. Disconnect the power from the computer by first unplugging the power cord from the AC outlet and then unplugging the AC adapter from the computer.
4. Remove the battery (see [Battery on page 46](#)).
5. Remove the memory/WLAN module compartment cover (see [Memory module on page 53](#)).

Remove the RTC battery:

1. Disconnect the RTC battery cable **(1)** from the system board.
2. Remove the RTC battery **(2)**.



Reverse this procedure to install the RTC battery.

WLAN module

| Description | Spare part number |
|---|---------------------------|
| Intel 802.11a/b/g/n WLAN modules: | |
| <ul style="list-style-type: none"> For use in Antigua & Barbuda, Argentina, Aruba, the Bahamas, Barbados, Bermuda, Brunei, Canada, the Cayman Islands, Chile, Colombia, Costa Rica, the Dominican Republic, Ecuador, El Salvador, Guam, Guatemala, Haiti, Honduras, Hong Kong, India, Indonesia, Malaysia, Mexico, Panama, Paraguay, Peru, Saudi Arabia, Taiwan, Uruguay, the United States, Venezuela, and Vietnam | 441086-001 |
| <ul style="list-style-type: none"> For use in Austria, Azerbaijan, Bahrain, Belgium, Brazil, Bulgaria, Croatia, Cyprus, the Czech Republic, Denmark, Egypt, Estonia, Finland, France, Georgia, Germany, Greece, Hungary, Iceland, Ireland, Israel, Italy, Latvia, Lebanon, Liechtenstein, Lithuania, Luxembourg, Malta, Monaco, the Netherlands, Norway, Oman, the Philippines, Poland, Portugal, Qatar, Romania, Russia, Serbia and Montenegro, Singapore, Slovakia, Slovenia, South Africa, Spain, Sri Lanka, Sweden, Switzerland, Turkey, Ukraine, the United Kingdom, and Uzbekistan | 441086-002 and 441087-002 |
| <ul style="list-style-type: none"> For use in Australia, New Zealand, Pakistan, and the People's Republic of China | 441086-003 and 441088-003 |
| <ul style="list-style-type: none"> For use in Japan | 441086-291 and 441089-291 |
| <ul style="list-style-type: none"> For use in South Korea | 441086-AD1 |
| Intel 802.11a/b/g WLAN modules: | |
| <ul style="list-style-type: none"> For use in Antigua & Barbuda, Argentina, Australia, the Bahamas, Barbados, Brunei, Canada, Chile, the Dominican Republic, Guam, Guatemala, Hong Kong, India, Indonesia, Malaysia, Mexico, New Zealand, Panama, Paraguay, Saudi Arabia, Taiwan, the United States, and Vietnam | 451861-001 |
| <ul style="list-style-type: none"> For use in Aruba, Austria, Azerbaijan, Bahrain, Belgium, Bermuda, Brazil, Bulgaria, the Cayman Islands, Colombia, Croatia, Cyprus, the Czech Republic, Denmark, Egypt, El Salvador, Estonia, Finland, France, Georgia, Germany, Greece, Hungary, Iceland, Ireland, Italy, Jordan, Latvia, Lebanon, Liechtenstein, Lithuania, Luxembourg, Malta, Monaco, the Netherlands, Norway, Oman, the Philippines, Poland, Portugal, Romania, Russia, Serbia and Montenegro, Singapore, Slovakia, Slovenia, South Africa, Spain, Sri Lanka, Sweden, Switzerland, Turkey, the United Kingdom, and Uzbekistan | 451861-002 |
| <ul style="list-style-type: none"> For use in Ecuador, Haiti, Honduras, Pakistan, the People's Republic of China, Peru, Qatar, South Korea, Uruguay, and Venezuela | 451861-003 |
| <ul style="list-style-type: none"> For use in Japan | 451861-291 |
| Broadcom 802.11b/g WLAN modules: | |
| <ul style="list-style-type: none"> For use in Canada, the Cayman Islands, Guam, Puerto Rico, the U.S. Virgin Islands, and the United States | 441090-001 |
| <ul style="list-style-type: none"> For use in Afghanistan, Albania, Algeria, Andorra, Angola, Antigua & Barbuda, Argentina, Armenia, Aruba, Australia, Austria, Azerbaijan, the Bahamas, Bahrain, Bangladesh, Barbados, Belarus, Belgium, Belize, Benin, Bermuda, Bhutan, Bolivia, Bosnia & Herzegovina Botswana, Brazil, the British Virgin Islands, Brunei, Bulgaria, Burkina Faso, Burundi, Cambodia, Cameroon, Cape Verde, the Central African Republic, Chad, Chile, Colombia, Comoros, the Congo, Costa Rica, Croatia, Cyprus, the Czech Republic, Denmark, Djibouti, Dominica, the Dominican Republic, East Timor, Ecuador, Egypt, El Salvador, Equatorial Guinea, Eritrea, Estonia, Ethiopia, Fiji, Finland, France, French Guiana, Gabon, Gambia, Georgia, Germany, Ghana, Gibraltar, Greece, Grenada, Guadeloupe, Guatemala, Guinea, Guinea-Bissa, Guyana, Haiti, Honduras, Hong Kong, Hungary, Iceland, India, Indonesia, Ireland, Israel, Italy, the Ivory Coast, Jamaica, Jordan, Kazakhstan, Kenya, Kiribati, Kuwait, Kyrgyzstan, Laos, Latvia, Lebanon, Lesotho, Liberia, Liechtenstein, Lithuania, Luxembourg, Macedonia, Madagascar, Malawi, Malaysia, the Maldives, Mali, Malta, the Marshall Islands, Martinique, Mauritania, Mauritius, Mexico, Micronesia, Monaco, Mongolia, Montenegro, Morocco, Mozambique, Namibia, Nauru, | 441090-002 |


| Description | Spare part number |
|---|-------------------|
| Nepal, the Nether Antilles, the Netherlands, New Zealand, Nicaragua, Niger, Nigeria, Norway, Oman, Palau, Panama, Papua New Guinea, Paraguay, the People's Republic of China, Peru, the Philippines, Poland, Portugal, Qatar, the Republic of Moldova, Romania, Russia, Rwanda, Samoa, San Marino, Sao Tome & Principe, Saudi Arabia, Senegal, Serbia and Montenegro, the Seychelles, Sierra Leone, Singapore, Slovakia, Slovenia, the Solomon Islands, Somalia, South Africa, South Korea, Spain, Sri Lanka, St. Kitts & Nevis, St. Lucia, St. Vincent & Grenada, Suriname, Swaziland, Sweden, Switzerland, Taiwan, Tajikistan, Tanzania, Thailand, Togo, Tonga, Trinidad & Tobago, Tunisia, Turkey, Turkmenistan, Tuvalu, Uganda, Ukraine, the United Arab Emirates, the United Kingdom, Uruguay, Uzbekistan, Vanuatu, Venezuela, Vietnam, Yemen, Zaire, Zambia, and Zimbabwe | |
| <ul style="list-style-type: none"> For use in Japan | 441090-291 |
| Intel 802.11b/g WLAN module for use in Thailand | 451861-004 |
| Broadcom 4311AG 802.11a/b/g modules: | |
| <ul style="list-style-type: none"> For use in the United States and Canada | 441075-001 |
| <ul style="list-style-type: none"> For use in France, Germany, Italy, the Netherlands, Spain, the United Kingdom, Nordic region, and India | 441075-002 |
| Broadcom 4321AGN 802.11a/b/g/n modules: | |
| <ul style="list-style-type: none"> For use in the United States and Canada | 434661-001 |
| <ul style="list-style-type: none"> For use in France, Germany, Italy, the Netherlands, Spain, the United Kingdom, Nordic region, and India | 434661-002 |

Before removing the WLAN module, follow these steps:

1. Shut down the computer. If you are unsure whether the computer is off or in Hibernation, turn the computer on, and then shut it down through the operating system.
2. Disconnect all external devices connected to the computer.
3. Disconnect the power from the computer by first unplugging the power cord from the AC outlet and then unplugging the AC adapter from the computer.
4. Remove the battery (see [Battery on page 46](#)).
5. Remove the memory/WLAN module compartment cover (see [Memory module on page 53](#)).

Remove the WLAN module:


1. Disconnect the two WLAN antenna cables **(1)** from the WLAN module.

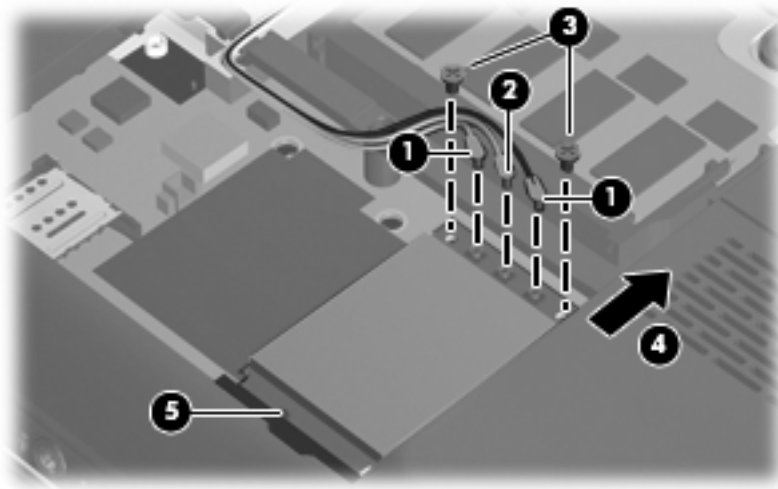
 **NOTE:** The black WLAN antenna cable is connected to the WLAN module “Main” terminal. The white WLAN antenna cable is connected to the WLAN module “Aux” terminal.

NOTE: Computer models equipped with an 802.11a/b/g/n WLAN module will have an additional wireless antenna cable **(2)**, yellow in color.

2. Remove the two Phillips PM2.0×3.0 screws **(3)** that secure the WLAN module to the computer. (The edge of the module opposite the slot rises away from the computer.)


3. Remove the WLAN module **(4)** by pulling it away from the slot at an angle.

 **NOTE:** WLAN modules are designed with a notch **(5)** to prevent incorrect installation into the WLAN module slot.



Reverse this procedure to install a WLAN module.

Optical drive

 **NOTE:** All optical drive spare part kits include an optical drive bezel.

| Description | Spare part number |
|--|-------------------|
| For use in computer models with Intel processors: | |
| HD-ROM Drive | 446502-001 |
| DVD±RW and CD-RW Super Multi Double-Layer Combo Drive with LightScribe | 446501-001 |
| DVD±RW and CD-RW Super Multi Double-Layer Combo Drive | 446500-001 |
| DVD/CD-RW Combo Drive | 446499-001 |
| For use in computer models with AMD processors: | |
| CD-RW and DVD-ROM Combo Drive | 449937-001 |
| DVD±RW and DVD-ROM Super Multi Drive with LightScribe | 449935-001 |
| HD-ROM Super Multi Double-Layer Combo Drive with LightScribe | 448006-001 |
| DVD±RW and CD-RW Super Multi Double-Layer Combo Drive | 448004-001 |

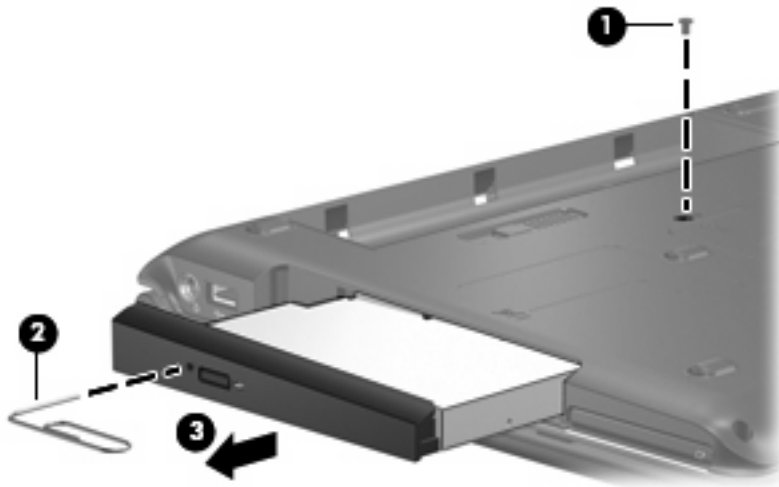
Before removing the optical drive, follow these steps:

1. Shut down the computer. If you are unsure whether the computer is off or in Hibernation, turn the computer on, and then shut it down through the operating system.
2. Disconnect all external devices connected to the computer.
3. Disconnect the power from the computer by first unplugging the power cord from the AC outlet and then unplugging the AC adapter from the computer.
4. Remove the battery (see [Battery on page 46](#)).

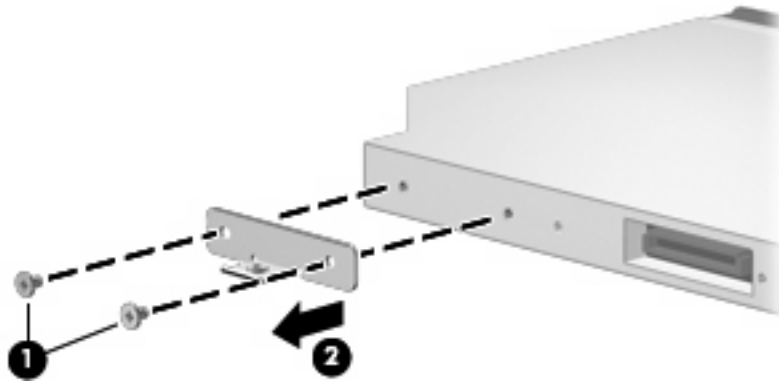
Remove the optical drive:

1. Position the computer with right side toward you.
2. Remove the Phillips PM2.5×7.0 screw **(1)** that secures the optical drive to the computer.
3. Insert a thin tool, such as a paper clip **(2)**, into the release access. (The optical drive disc tray is partially ejected from the optical drive.)

4. Use the disc tray frame to slide the optical drive **(3)** out of the computer.



5. If it is necessary to replace the optical drive bracket, position the optical drive with the optical drive bracket toward you.
6. Remove the two Phillips PM2.0×3.0 screws **(1)** that secure the optical drive bracket to the optical drive.
7. Remove the optical drive bracket **(2)**.



Reverse the above procedure to reassemble and install the optical drive.

Switch cover

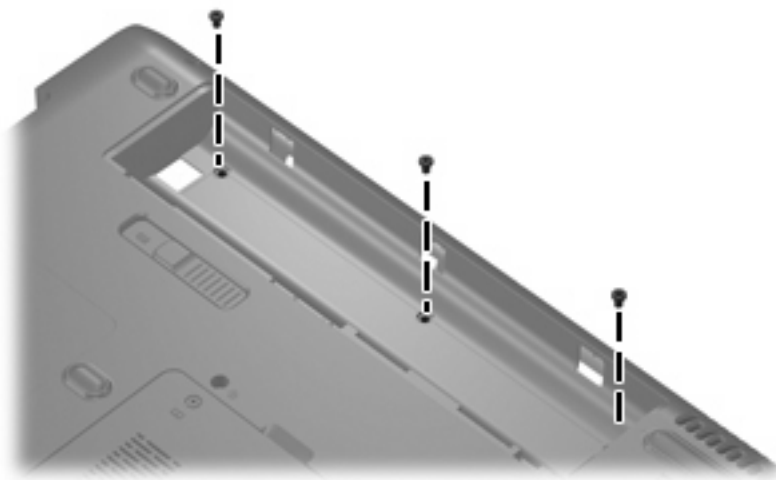
| Description | Spare part number |
|---|-------------------|
| Switch cover (includes LED board and cable) | 446512-001 |

Before removing the switch cover, follow these steps:

1. Shut down the computer. If you are unsure whether the computer is off or in Hibernation, turn the computer on, and then shut it down through the operating system.
2. Disconnect all external devices connected to the computer.
3. Disconnect the power from the computer by first unplugging the power cord from the AC outlet and then unplugging the AC adapter from the computer.
4. Remove the battery (see [Battery on page 46](#)).

Remove the switch cover:

1. Remove the three Phillips PM2.5×5.0 screws that secure the switch cover to the computer.

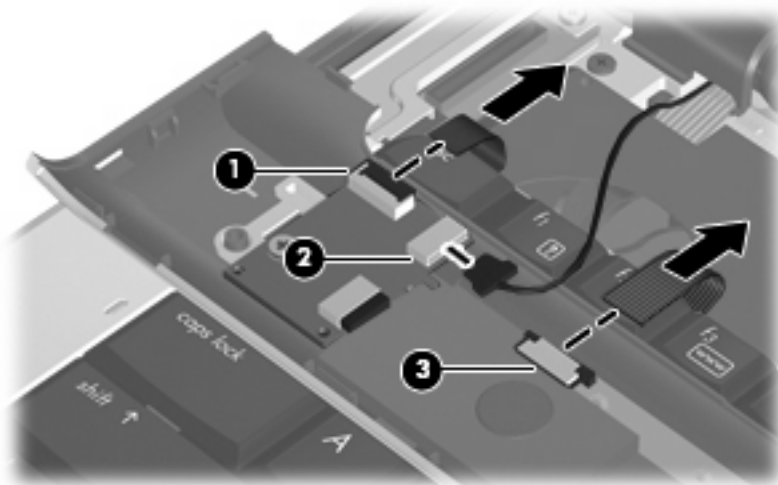


2. Turn the computer display-side up, with the front toward you.
3. Open the computer as far as possible.

4. Lift the rear edge of the switch cover and swing it forward until it rests on the keyboard.



5. Release the zero insertion force (ZIF) connector **(1)** to which the power button board is connected, and disconnect the cable from the power button board.
6. Disconnect the microphone cable **(2)** from the power button board.
7. Release the ZIF connector **(3)** to which the LED board is connected and disconnect the cable from the power button board.



8. Remove the switch cover.

Reverse this procedure to install the switch cover.

Speaker assembly

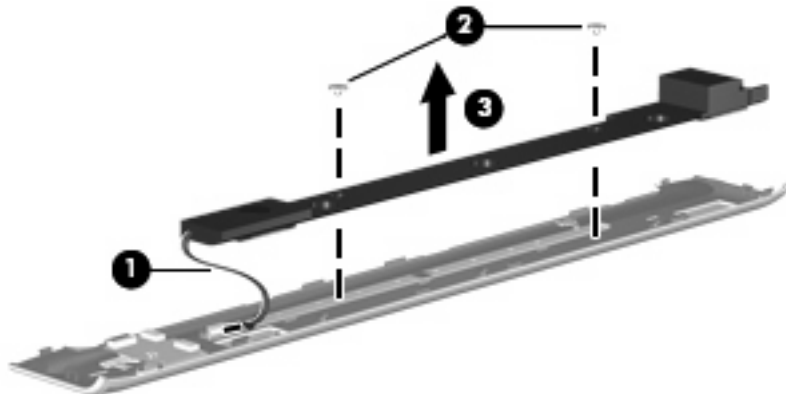
| Description | Spare part number |
|------------------|-------------------|
| Speaker assembly | 431447-001 |

Before removing the speaker assembly, follow these steps:

1. Shut down the computer. If you are unsure whether the computer is off or in Hibernation, turn the computer on, and then shut it down through the operating system.
2. Disconnect all external devices connected to the computer.
3. Disconnect the power from the computer by first unplugging the power cord from the AC outlet and then unplugging the AC adapter from the computer.
4. Remove the battery (see [Battery on page 46](#)).
5. Remove the switch cover (see [Switch cover on page 61](#)).
6. Remove the keyboard (see [Keyboard on page 65](#)).

Remove the speaker assembly:

1. Disconnect the speaker assembly cable **(1)** from the power button board.
2. Remove the two Phillips PM2.5x2.0 screws **(2)** that secure the speaker assembly to the computer.
3. Remove the speaker assembly **(3)**.



Reverse this procedure to install the speaker assembly.

Power button board

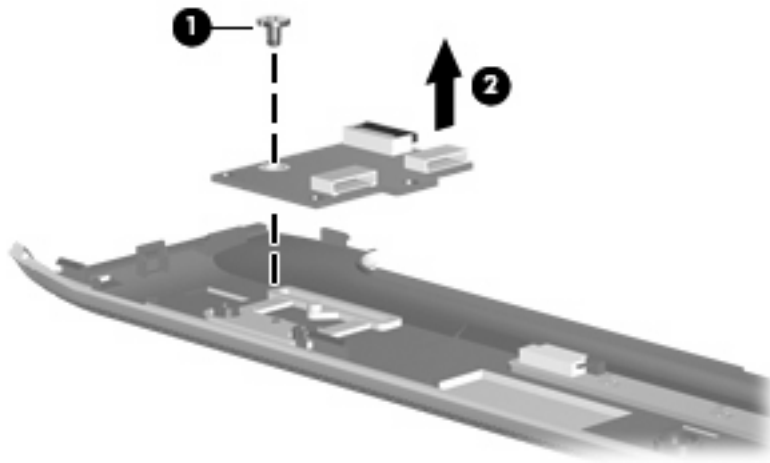
| Description | Spare part number |
|--|-------------------|
| Power button board (includes power button board cable) | 431437-001 |

Before removing the power button board, follow these steps:

1. Shut down the computer. If you are unsure whether the computer is off or in Hibernation, turn the computer on, and then shut it down through the operating system.
2. Disconnect all external devices connected to the computer.
3. Disconnect the power from the computer by first unplugging the power cord from the AC outlet and then unplugging the AC adapter from the computer.
4. Remove the battery (see [Battery on page 46](#)).
5. Remove the switch cover (see [Switch cover on page 61](#)).
6. Remove the keyboard (see [Keyboard on page 65](#)).

Remove the power button board:

1. Remove the Phillips PM2.0×3.0 screw **(1)** that secures the power button board to the fan/heat sink assembly.
2. Remove the power button board **(2)** from the switch cover.



3. Remove the power button board.

Reverse this procedure to install the power button board.

Keyboard

| For use only with computer models not sold at Best Buy: | | | |
|--|---------------------------|----------------------------|---------------------------|
| Belgium | 441427-A41 | The Netherlands and Europe | 441427-B3 |
| The Czech Republic | 441427-211 | Portugal | 441427-131 |
| Denmark | 441427-081 | Russia | 441427-251 |
| Finland, Norway, and Sweden | 441427-DH1 | Saudi Arabia | 441427-171 |
| France | 441427-051 | South Korea | 441427-AD1 |
| French Canada | 441427-121 | Spain | 441427-071 |
| Germany | 441427-041 | Switzerland | 441427-111 |
| Greece | 441427-151 | Taiwan | 441427-AB1 |
| Israel | 441427-BB1 | Thailand | 441427-281 |
| Italy | 441427-061 | Turkey | 441427-141 |
| Japan | 441427-291 | The United Kingdom | 441427-031 |
| Latin America | 441426-161 | The United States | 441427-001 |
| For use only with computer models sold at Best Buy: | | | |
| Finland, Norway, and Sweden | 443689-DH1 and 452636-DH1 | Saudi Arabia | 443689-171 and 452636-171 |
| France | 443689-051 and 452636-051 | Spain | 443689-071 and 452636-071 |
| Italy | 443689-061 and 452636-061 | Turkey | 443689-141 and 452636-141 |
| The Netherlands and Europe | 443689-B31 and 452636-B31 | The United Kingdom | 443689-031 and 452636-031 |
| Portugal | 443689-131 and 452636-131 | The United States | 441426-001 and 452636-001 |
| Germany | 443689-041 | Belgium | 443689-A41 |
| Russia | 443689-251 | Taiwan | 443689-AB1 |
| Thailand | 443689-281 | South Korea | 443689-AD1 |
| Japan | 443689-291 | | |

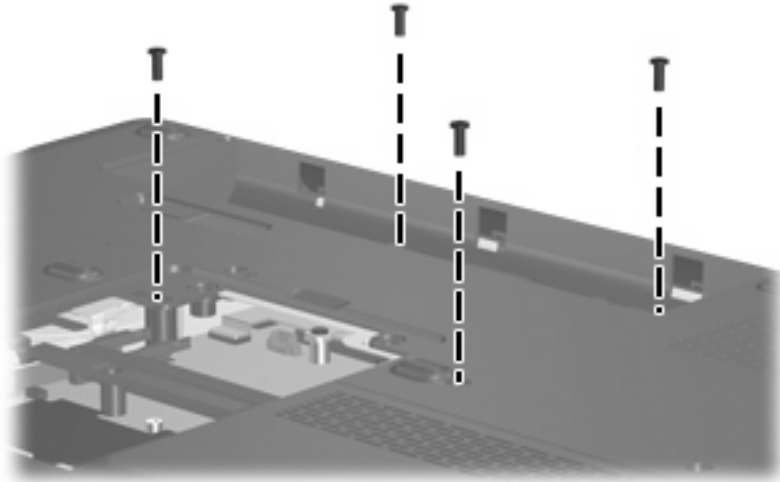
Before removing the keyboard, follow these steps:

1. Shut down the computer. If you are unsure whether the computer is off or in Hibernation, turn the computer on, and then shut it down through the operating system.
2. Disconnect all external devices connected to the computer.

3. Disconnect the power from the computer by first unplugging the power cord from the AC outlet and then unplugging the AC adapter from the computer.
4. Remove the battery (see [Battery on page 46](#)).
5. Remove the switch cover (see [Switch cover on page 61](#)).

Remove the keyboard:

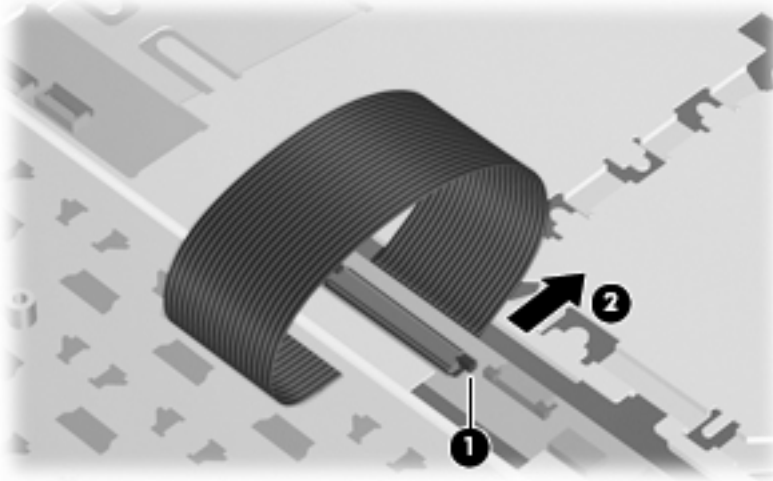
1. Turn the computer upside down, with the front toward you.
2. Remove the four Phillips PM2.5×7.0 screws that secure the keyboard to the computer.



3. Turn the computer display-side up, with the front toward you.
4. Open the computer as far as possible.
5. Lift the rear edge of the keyboard **(1)** until it rests at an angle.
6. Release the keyboard **(2)** by sliding it back to disengage the tabs on the front edge of the keyboard from the top cover.
7. Swing the keyboard **(3)** up and forward until it rests on the palm rest.



8. Release the ZIF connector **(1)** to which the keyboard cable is attached and disconnect the keyboard cable **(2)** from the system board.



9. Remove the keyboard.

Reverse this procedure to install the keyboard.

 **NOTE:** The power button board cable and LED board cable are included in the Cable Kit, spare part number 446519-001.

Display assembly

| Description | Spare part number |
|---|-------------------|
| 15.4-inch, WXGA, BrightView, display assembly for use only with computer models equipped with a camera (includes camera, microphones, and WLAN transceivers and antenna cables) | 446481-001 |
| 15.4-inch, WXGA, BrightView, display assembly for use only with computer models not equipped with a camera (includes microphones and WLAN transceivers and antenna cables) | 446482-001 |
| 15.4-inch, WXGA, BrightView, display assembly for use only with Best Buy computer models equipped with a camera, microphones, and a fingerprint reader (includes camera, microphones, and WLAN transceivers and antenna cables) | 455311-001 |
| 15.4-inch, WXGA, BrightView, display assembly for use only with Best Buy computer models equipped with a camera (includes camera, microphones, and WLAN transceivers and antenna cables) | 455312-001 |

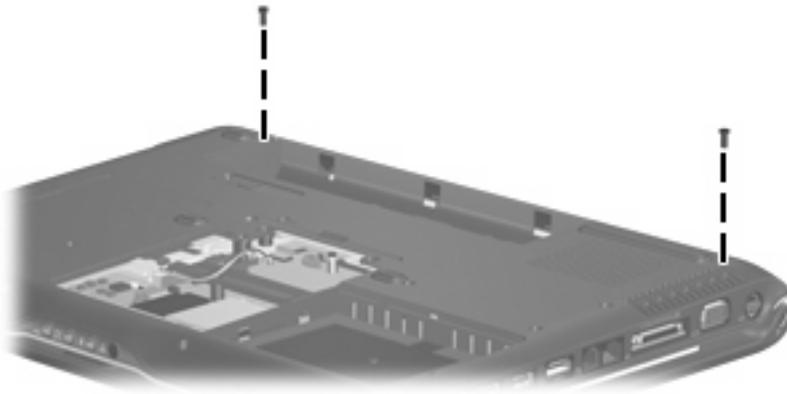
Before removing the display assembly, follow these steps:

1. Shut down the computer. If you are unsure whether the computer is off or in Hibernation, turn the computer on, and then shut it down through the operating system.
2. Disconnect all external devices connected to the computer.
3. Disconnect the power from the computer by first unplugging the power cord from the AC outlet and then unplugging the AC adapter from the computer.
4. Remove the battery (see [Battery on page 46](#)).
5. Remove the memory/WLAN module compartment cover (see [Memory module on page 53](#)).
6. Disconnect the wireless antenna cables from the WLAN module (see [WLAN module on page 56](#)).
7. Remove the following components:
 - a. Keyboard (see [Keyboard on page 65](#))
 - b. Switch cover (see [Switch cover on page 61](#))
 - c. Speaker assembly (see [Speaker assembly on page 63](#))

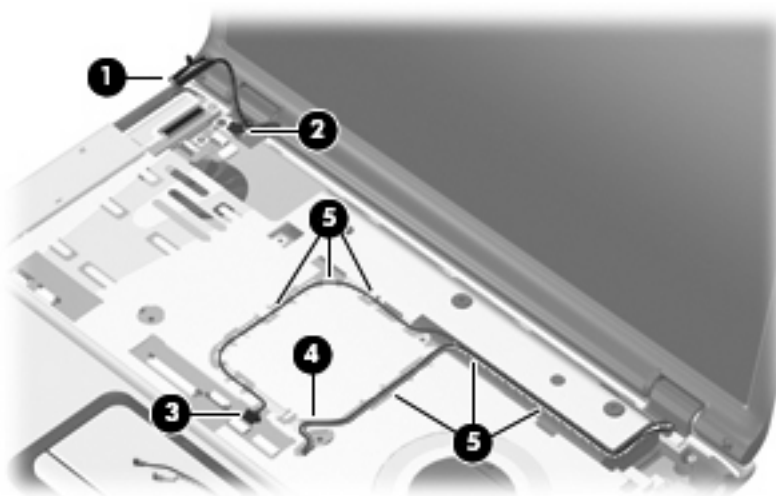
Remove the display assembly:

1. Close the computer and turn it upside down, with the rear panel toward you.

2. Remove the Phillips PM2.5×7.0 screws that secure the display assembly to the computer.



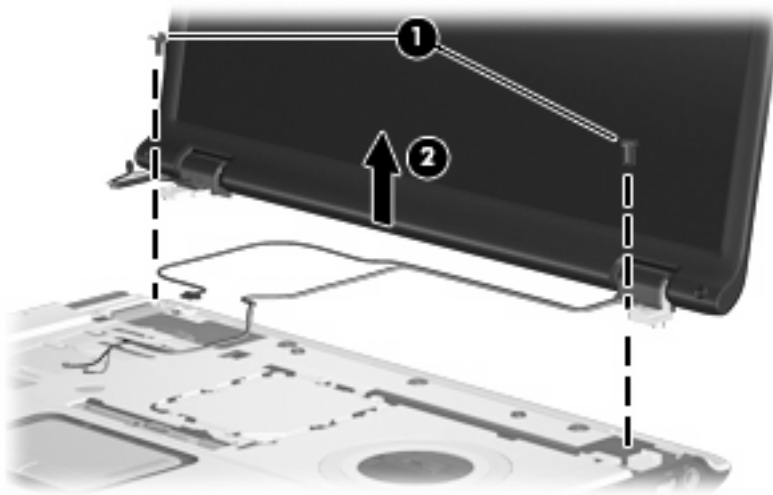
3. Turn the computer display-side up, with the front toward you.
4. Open the computer to an upright position.
5. Disconnect the following cables:
 - (1) Display panel cable
 - (2) Microphone cable
 - (3) Camera cable
6. Remove the wireless antenna cables (4) from the routing channels (5) built into the top cover.



△ **CAUTION:** Support the display assembly when removing the following screws. Failure to support the display assembly can result in damage to the display assembly and other computer components.


7. Remove the two Phillips PM2.5×7.0 screws (1) that secure the display assembly to the computer.

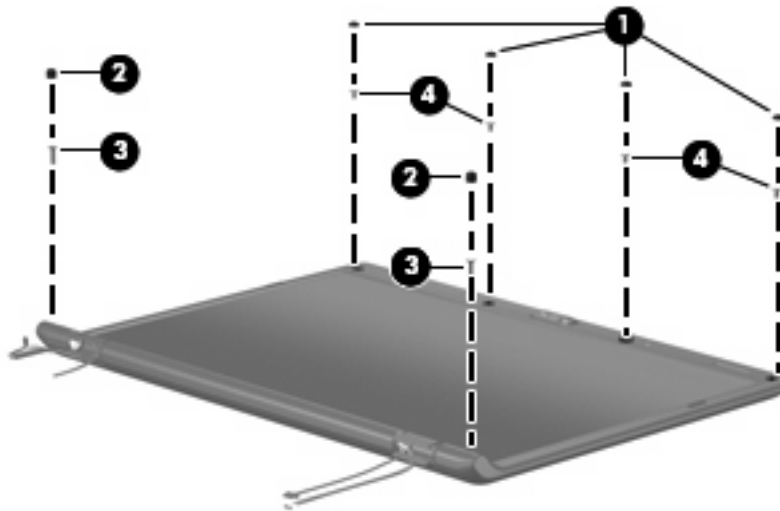
8. Remove the display assembly **(2)**.



9. If it is necessary to replace the display bezel or any of the display assembly internal components, remove the following:

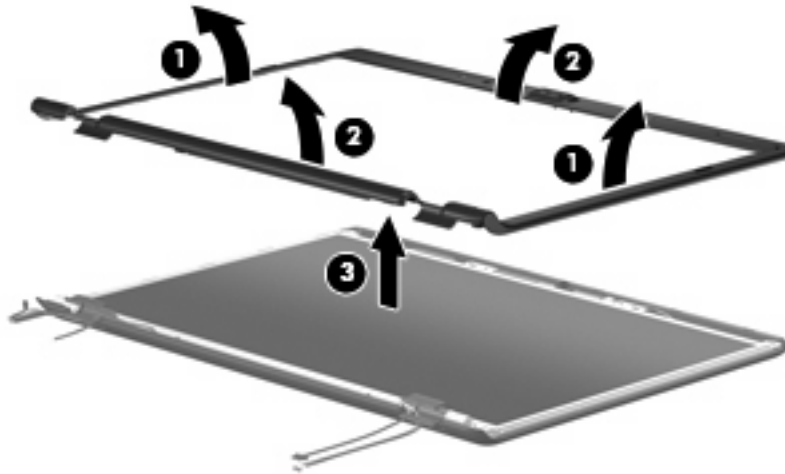
- (1)** Four rubber screw covers on the display bezel top edge
- (2)** Two rubber screw covers on the display bezel bottom edge
- (3)** Six Phillips PM2.5x5.0 screws


 **NOTE:** The display rubber screw covers are included in the Display Screw Kit, spare part number 431399-001.



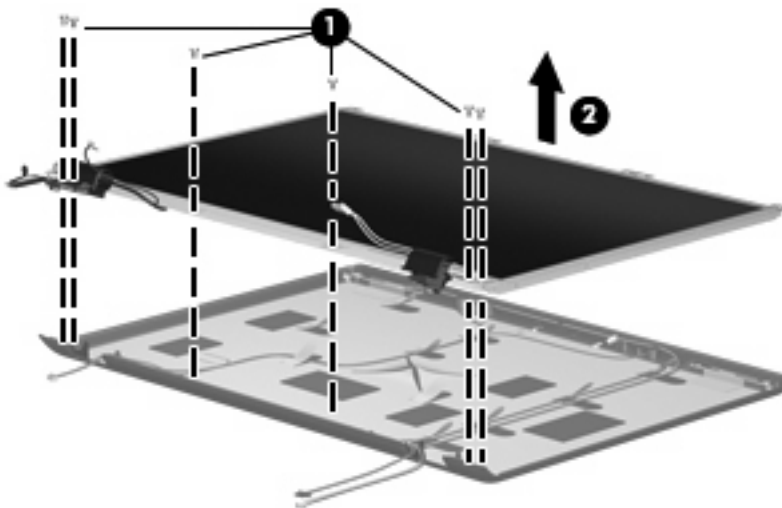
10. Flex the inside edges of the left and right sides **(1)** and the top and bottom sides **(2)** of the display bezel until the bezel disengages from the display enclosure.

11. Remove the display bezel **(3)**. Display bezels are available using spare part numbers 446483-001 (for use only with computer models equipped with a camera), 433281-001 (for use only with computer models not equipped with a camera), 436260-001 (for use only with Best Buy computer models equipped with a camera), and 455313-001 (for use only with Best Buy computer models not equipped with a camera).



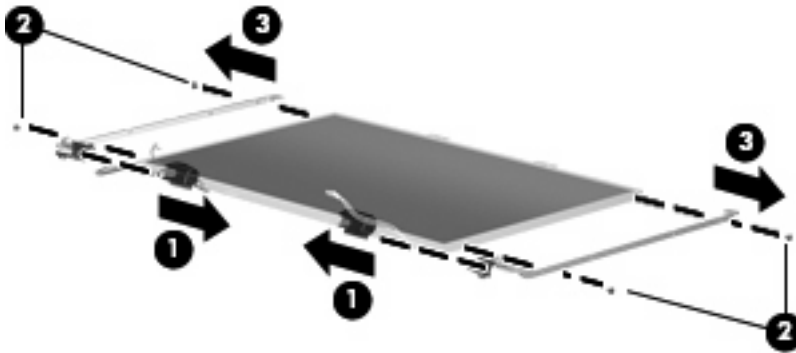
 **NOTE:** See [Camera module on page 47](#) for camera module replacement instructions. See [Display inverter on page 49](#) for display inverter replacement instructions.

12. If it is necessary to replace the display panel, remove the six Phillips PM2.5×4.0 screws **(1)** that secure the display panel to the display enclosure.
13. Remove the display panel **(2)**. The display panel is available using the spare part number 446480-001.

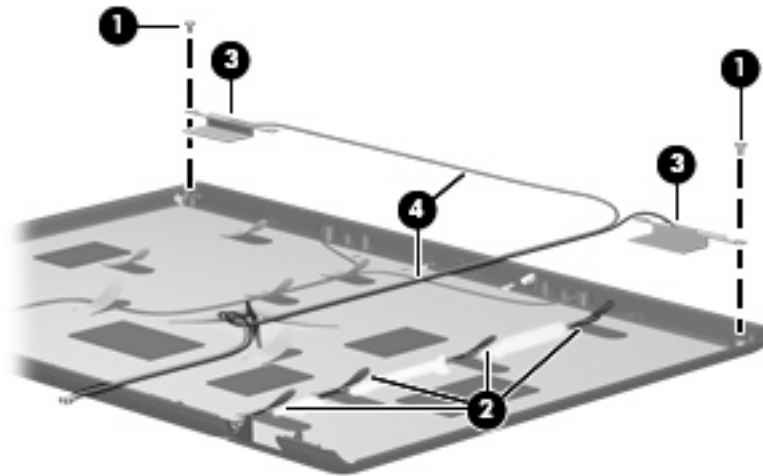


14. If it is necessary to replace the display hinges, remove the left and right hinge covers **(1)** by sliding them off the display hinges. The display hinge covers are available using spare part number 431396-001 for full-featured models or 433289-001 for defeatured models.
15. Remove the two Phillips PM2.0×3.0 screws that secure each display hinge **(2)** to the display panel.

16. Remove the display hinges (3). The display hinges are available using spare part number 431395-001.

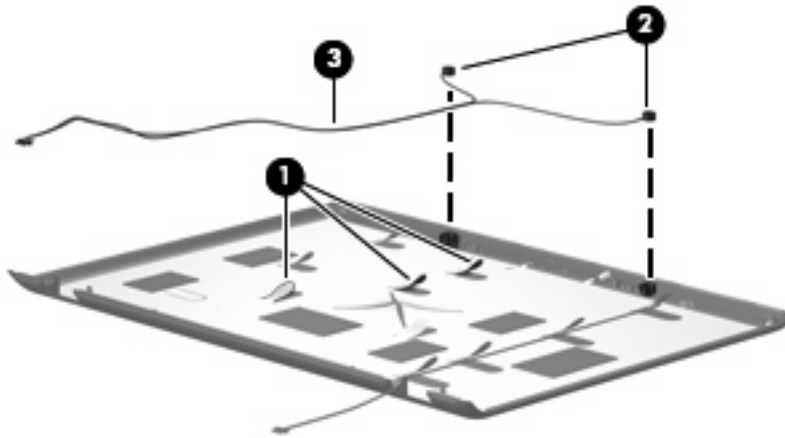


17. If it is necessary to replace the wireless antenna transceivers and cables, remove the Phillips PM2.0x3.0 screw (1) that secures each transceiver to the display enclosure.
18. Remove the wireless antenna cables from the clips (2) built into the display enclosure.
19. Detach the wireless antenna transceivers (3) from the display enclosure and remove the transceivers and cables (4). The wireless antenna transceivers and cables are available using the following spare part numbers 449727-001 (for use only with computer models equipped with an 802.11a/b/g/n WLAN module) and 431398-001 (for use only with computer models equipped with an 802.11a/b/g or 802.11b/g WLAN module).

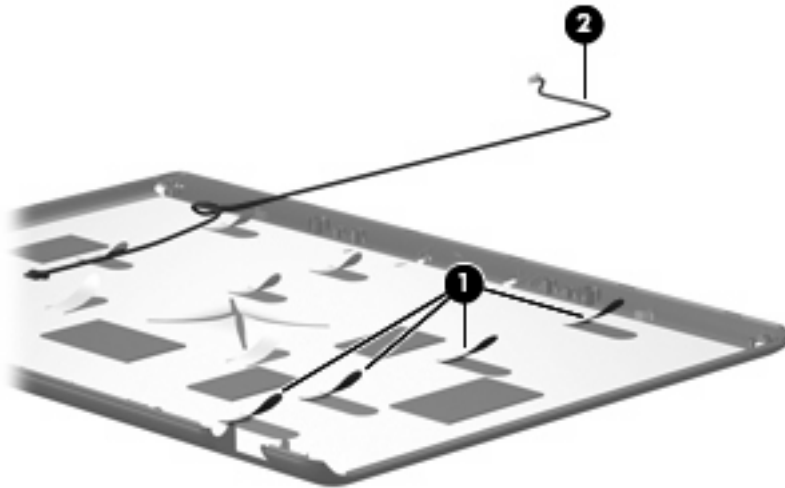


20. If it is necessary to replace the microphones and cables, release the retention tabs (1) built into the display enclosure that secure the microphone cables to the display enclosure
21. Remove the microphone receivers (2) from the clips in the display enclosure.

22. Remove the microphone cables **(3)** from the display enclosure. The microphones and cables are available using spare part number 431393-001.



23. If it is necessary to replace the camera cable, release the retention tabs **(1)** built into the display enclosure that secure the camera cable to the display enclosure.
24. Remove the camera cable **(2)** from the display enclosure. The camera cable is included in the Display Cable Kit, spare part number 431394-001.



Reverse this procedure to reassemble and install the display assembly.

Top cover

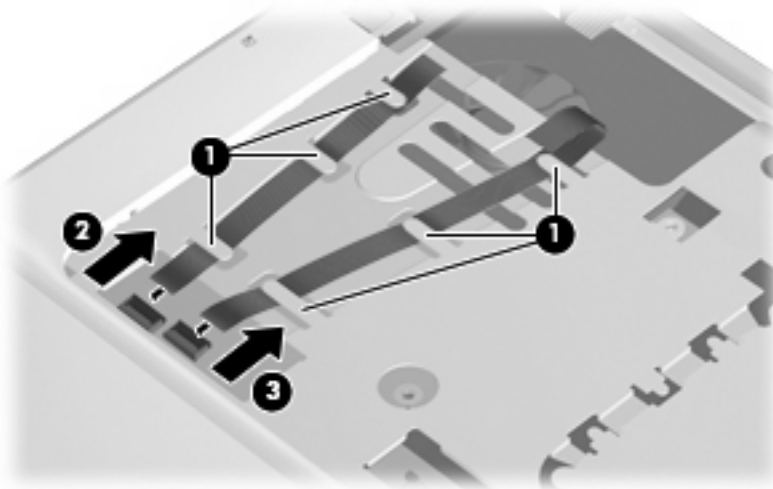
| Description | Spare part number |
|--|-------------------|
| For use only in computer models with Intel processors: | |
| • Equipped with a fingerprint reader (includes TouchPad and cable and fingerprint reader board and cable) | 446509-001 |
| • Not equipped with a fingerprint reader (includes TouchPad and cable) | 446508-001 |
| • Sold at Best Buy equipped with a fingerprint reader (includes TouchPad and cable and fingerprint reader board and cable) | 452635-001 |
| • Sold at Best Buy not equipped with a fingerprint reader (includes TouchPad and cable) | 452634-001 |
| • Fingerprint reader board (includes fingerprint reader board cable) | 446511-001 |
| For use only in computer models with AMD processors: | |
| • In full-featured models equipped with a fingerprint reader (includes TouchPad, TouchPad cable, fingerprint reader board, and fingerprint reader board cable) | 449942-001 |
| • In defeatured models equipped with a fingerprint reader (includes TouchPad, TouchPad cable, fingerprint reader board, and fingerprint reader board cable) | 451408-001 |
| • Sold at Best Buy equipped with a fingerprint reader (includes TouchPad, TouchPad cable, fingerprint reader board, and fingerprint reader board cable) | 458603-001 |
| • Fingerprint reader board (includes fingerprint reader board cable) | 449944-001 |

Before removing the top cover, follow these steps:

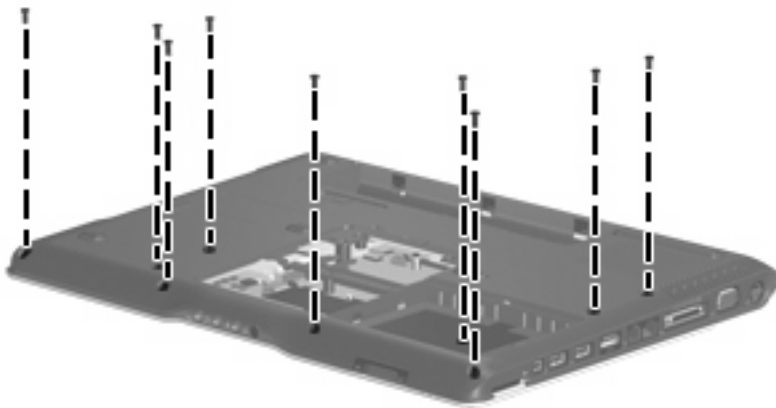
1. Shut down the computer. If you are unsure whether the computer is off or in Hibernation, turn the computer on, and then shut it down through the operating system.
2. Disconnect all external devices connected to the computer.
3. Disconnect the power from the computer by first unplugging the power cord from the AC outlet and then unplugging the AC adapter from the computer.
4. Remove the battery (see [Battery on page 46](#)).
5. Disconnect the power button board cable and the LED board cables from the system board (see [Keyboard on page 65](#)).
6. Remove the following components:
 - a. Hard drive (see [Hard drive on page 51](#))
 - b. Optical drive (see [Optical drive on page 59](#))
 - c. Switch cover (see [Switch cover on page 61](#))
 - d. Keyboard (see [Keyboard on page 65](#))
 - e. Speaker assembly (see [Speaker assembly on page 63](#))
 - f. Display assembly (see [Display assembly on page 68](#))

Remove the top cover:

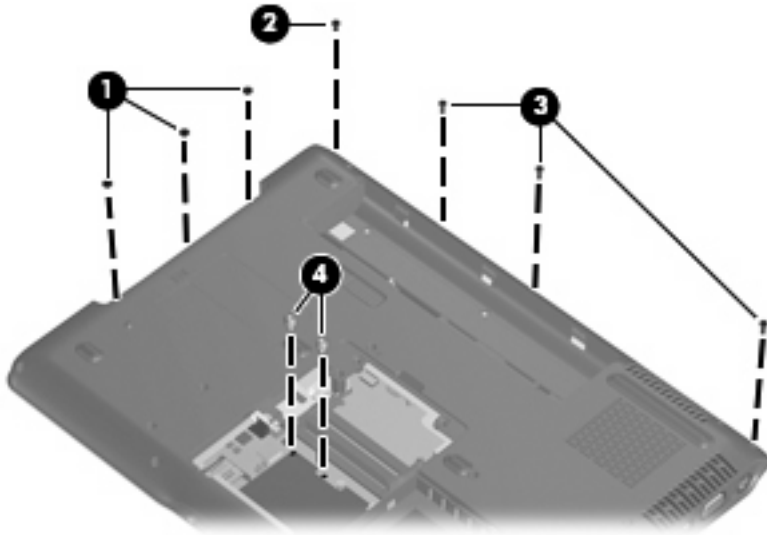
1. Remove the power button board cable and LED button board cable from the clips **(1)** built into the top cover.
2. Disconnect the power button board cable **(2)** and the LED button board cable **(3)** from the low insertion force (LIF) connectors on the system board.



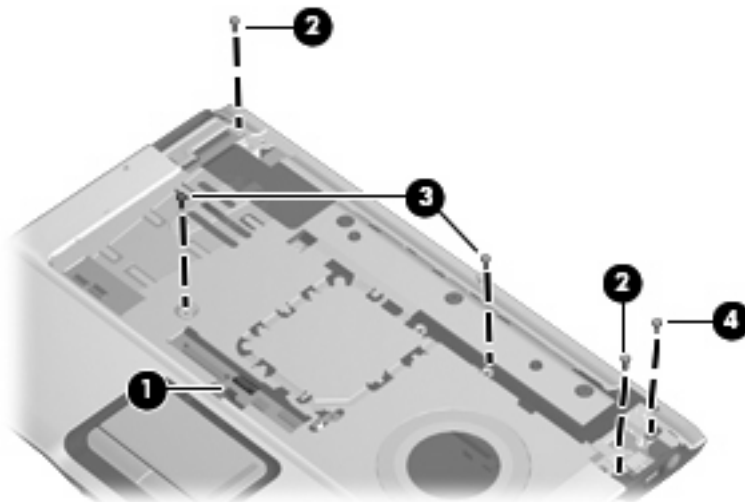
3. Remove the power button board cable and LED board cable.
4. Turn the computer upside down, with the front toward you.
5. Remove the nine Phillips PM2.5×7.0 screws that secure the top cover to the computer.



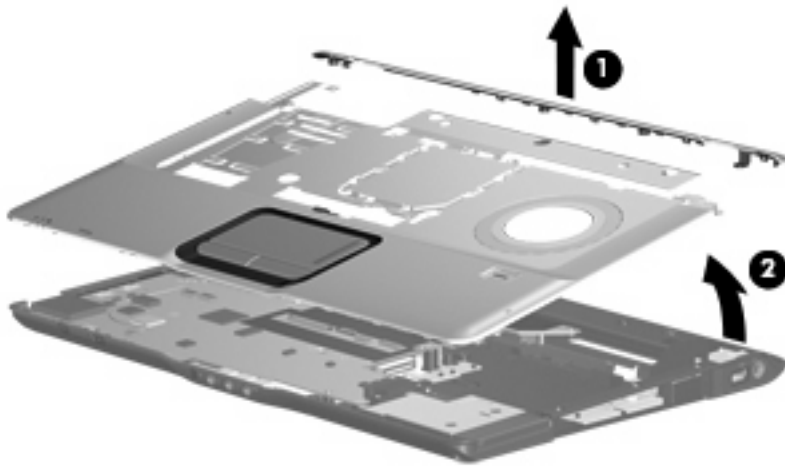
6. Remove the following:
 - (1) Three Phillips PM2.5×2.0 screws in the optical drive bay
 - (2) One Phillips PM2.5×5.0 screw on the rear edge of the base enclosure
 - (3) Three Phillips PM2.5×7.0 screws on the rear edge of the base enclosure that secure the top cover trim to the computer
 - (4) Two HM5.0×9.0 standoffs in the memory/WLAN module compartment



7. Turn the computer right-side up, with the front toward you.
8. Release and disconnect the TouchPad cable (1) from the ZIF connector on the system board.
9. Remove the following screws:
 - (2) Two Phillips PM2.5×7.0 screws
 - (3) Two Phillips PM2.5×4.0 screws
 - (4) One Phillips PM2.5×5.0 screw that secures the top cover trim to the computer



10. Remove the top cover trim **(1)**. The top cover trim is available using spare part number 431421-001.
11. Lift the rear edge of the top cover **(2)** until it disengages from the computer.



12. Remove the top cover.

Reverse this procedure to install the top cover and top cover trim.

Bluetooth module

| Description | Spare part number |
|--|-------------------|
| Bluetooth module (includes Bluetooth module cable) | 412766-002 |

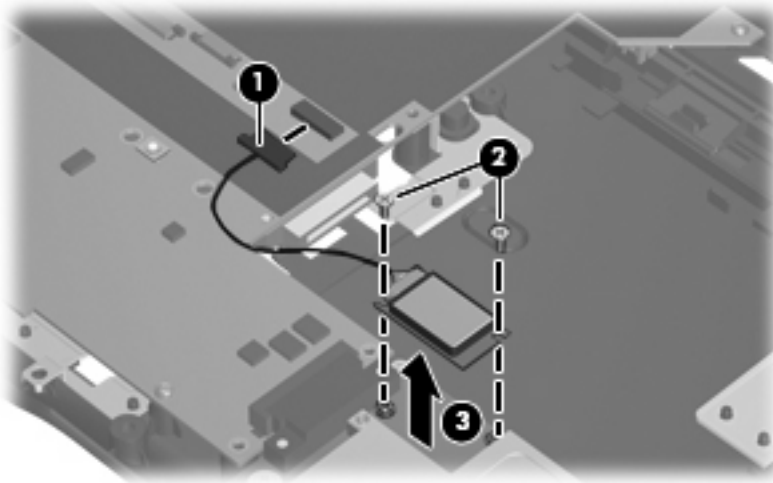
Before removing the Bluetooth module, follow these steps:

1. Shut down the computer. If you are unsure whether the computer is off or in Hibernation, turn the computer on, and then shut it down through the operating system.
2. Disconnect all external devices connected to the computer.
3. Disconnect the power from the computer by first unplugging the power cord from the AC outlet and then unplugging the AC adapter from the computer.
4. Remove the battery (see [Battery on page 46](#)).
5. Remove the following components:
 - a. Hard drive (see [Hard drive on page 51](#))
 - b. Optical drive (see [Optical drive on page 59](#))
 - c. Switch cover (see [Switch cover on page 61](#))
 - d. Keyboard (see [Keyboard on page 65](#))
 - e. Speaker assembly (see [Speaker assembly on page 63](#))
 - f. Display assembly (see [Display assembly on page 68](#))
 - g. Top cover (see [Top cover on page 74](#))

Remove the Bluetooth module:

1. Disconnect the Bluetooth module cable **(1)** from the system board.
2. Remove the two Phillips PM2.0×2.0 screws **(2)** that secure the Bluetooth module to the system board.

3. Remove the Bluetooth module **(3)**.



Reverse this procedure to install the Bluetooth module.

ExpressCard assembly

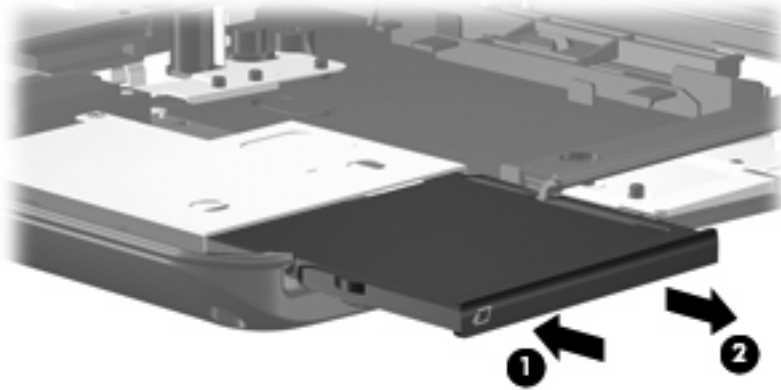
| Description | Spare part number |
|----------------------|-------------------|
| ExpressCard assembly | 431439-001 |

Before removing the ExpressCard assembly, follow these steps:

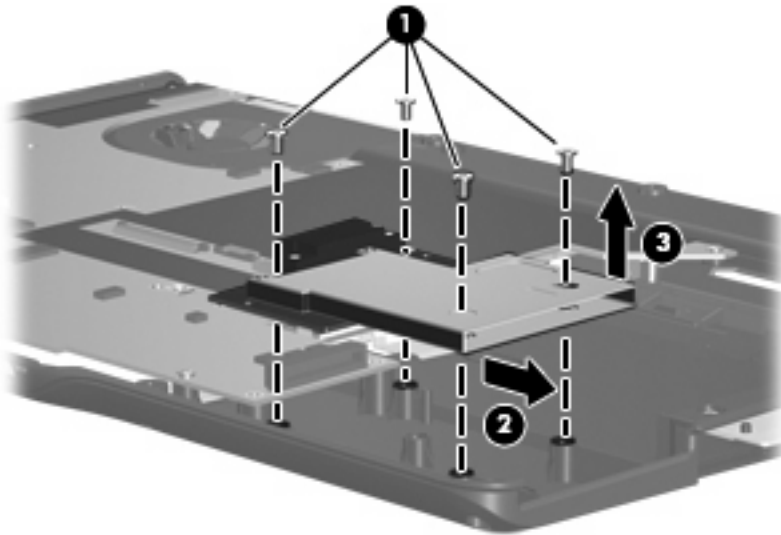
1. Shut down the computer. If you are unsure whether the computer is off or in Hibernation, turn the computer on, and then shut it down through the operating system.
2. Disconnect all external devices connected to the computer.
3. Disconnect the power from the computer by first unplugging the power cord from the AC outlet and then unplugging the AC adapter from the computer.
4. Remove the battery (see [Battery on page 46](#)).
5. Remove the following components:
 - a. Hard drive (see [Hard drive on page 51](#))
 - b. Optical drive (see [Optical drive on page 59](#))
 - c. Switch cover (see [Switch cover on page 61](#))
 - d. Keyboard (see [Keyboard on page 65](#))
 - e. Speaker assembly (see [Speaker assembly on page 63](#))
 - f. Display assembly (see [Display assembly on page 68](#))
 - g. Top cover (see [Top cover on page 74](#))

Remove the ExpressCard assembly:

1. Press the ExpressCard slot bezel **(1)** to release the bezel from the ExpressCard slot.
2. Remove the ExpressCard slot bezel **(2)**. The ExpressCard slot bezel is included in the Plastics Kit, spare part number 438368-001.



3. Remove the four Phillips PM2.5×4.0 screws **(1)** that secure the ExpressCard assembly to the system board.
4. Disconnect the ExpressCard assembly **(2)** from the system board by sliding to the right.
5. Remove the ExpressCard assembly **(3)**.



Reverse this procedure to install the ExpressCard assembly.

USB/power connector board

| Description | Spare part number |
|--|-------------------|
| For use only with computer models using a 90-watt AC adapter | 446524-001 |
| For use only with computer models using a 65-watt AC adapter | 449454-001 |

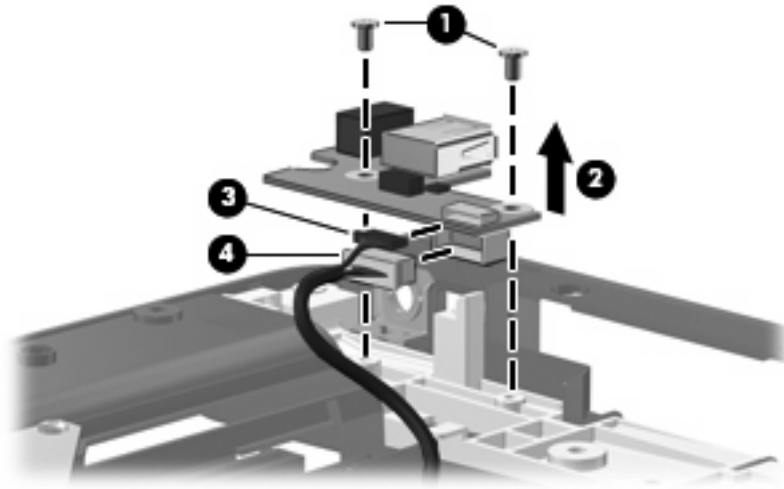
Before removing the USB/power connector board, follow these steps:

1. Shut down the computer. If you are unsure whether the computer is off or in Hibernation, turn the computer on, and then shut it down through the operating system.
2. Disconnect all external devices connected to the computer.
3. Disconnect the power from the computer by first unplugging the power cord from the AC outlet and then unplugging the AC adapter from the computer.
4. Remove the battery (see [Battery on page 46](#)).
5. Remove the following components:
 - a. Hard drive (see [Hard drive on page 51](#))
 - b. Optical drive (see [Optical drive on page 59](#))
 - c. Switch cover (see [Switch cover on page 61](#))
 - d. Keyboard (see [Keyboard on page 65](#))
 - e. Speaker assembly (see [Speaker assembly on page 63](#))
 - f. Display assembly (see [Display assembly on page 68](#))
 - g. Top cover (see [Top cover on page 74](#))

Remove the USB/power connector board:

1. Remove the two Phillips PM2.5×4.0 screws **(1)** that secure the USB/power connector board to the computer.
2. Release the USB/power connector board **(2)** as far as the USB/power connector board cable will allow.


3. Disconnect the USB cable **(3)** and the power connector cable **(4)** from the USB/power connector board.



4. Remove the USB/power connector board.

Reverse this procedure to install the USB/power connector board.

System board

 **NOTE:** All system board spare part kits include a modem cable and replacement thermal material.

| Description | Spare part number |
|--|-------------------|
| For use only in computer models with Intel processors: | |
| <ul style="list-style-type: none"> Equipped with discrete graphics subsystem memory (includes 128 MB of discrete graphics subsystem memory) | 446476-001 |
| <ul style="list-style-type: none"> In full-featured models equipped with UMA graphics subsystem memory | 446477-001 |
| <ul style="list-style-type: none"> In defeatured models equipped with UMA graphics subsystem memory | 453769-001 |
| For use only in computer models with AMD processors: | |
| <ul style="list-style-type: none"> In full-featured models equipped with discrete graphics subsystem memory | 449902-001 |
| <ul style="list-style-type: none"> In full-featured models equipped with UMA graphics subsystem memory | 449903-001 |

Before removing the system board, follow these steps:

1. Shut down the computer. If you are unsure whether the computer is off or in Hibernation, turn the computer on, and then shut it down through the operating system.
2. Disconnect all external devices connected to the computer.
3. Disconnect the power from the computer by first unplugging the power cord from the AC outlet and then unplugging the AC adapter from the computer.

4. Remove the battery (see [Battery on page 46](#)).
5. Remove the following components:
 - a. Hard drive (see [Hard drive on page 51](#))
 - b. Optical drive (see [Optical drive on page 59](#))
 - c. Switch cover (see [Switch cover on page 61](#))
 - d. Keyboard (see [Keyboard on page 65](#))
 - e. Speaker assembly (see [Speaker assembly on page 63](#))
 - f. Display assembly (see [Display assembly on page 68](#))
 - g. Top cover (see [Top cover on page 74](#))
 - h. Audio board (see [Audio board on page 86](#))
 - i. USB/power connector board (see [USB/power connector board on page 81](#))

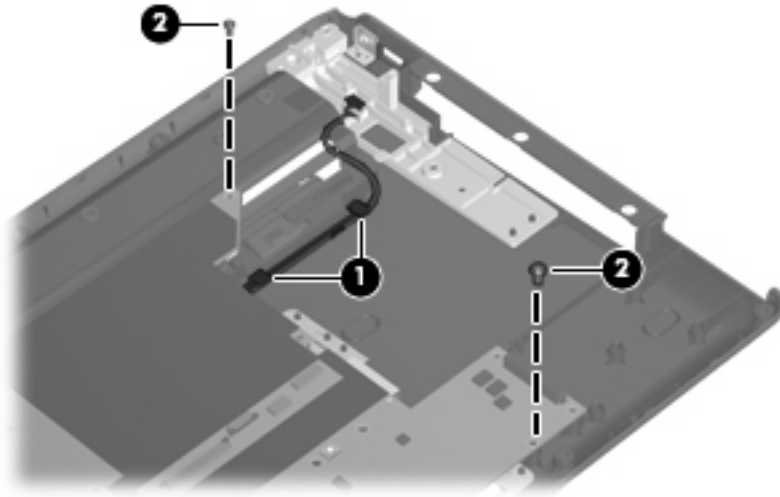
When replacing the system board, be sure that the following components are removed from the defective system board and installed on the replacement system board:

- Memory modules (see [Memory module on page 53](#))
- RTC battery (see [RTC battery on page 55](#))
- WLAN module (see [WLAN module on page 56](#))
- Bluetooth module (see [Bluetooth module on page 78](#))
- ExpressCard assembly (see [ExpressCard assembly on page 79](#))
- Fan/heat sink assembly (see [Fan/heat sink assembly on page 87](#))
- Processor (see [Processor on page 89](#))

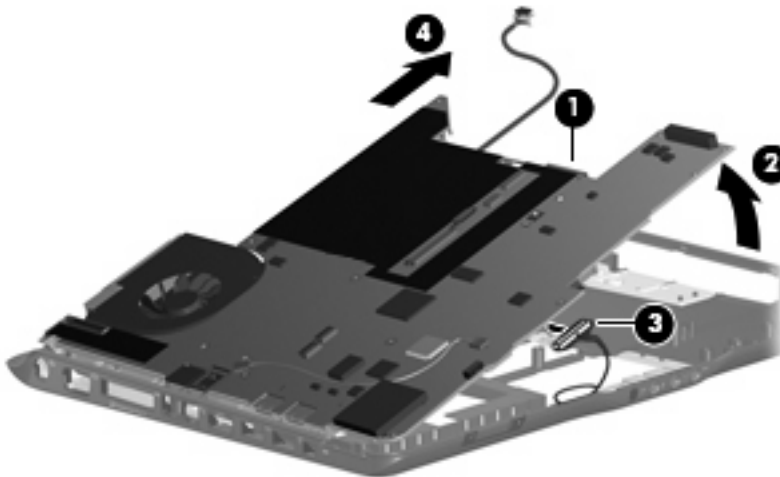
Remove the system board:

1. Remove the USB/power connector board cable **(1)** from the clips built into in the base enclosure.

2. Remove the two Phillips PM2.5×4.0 screws **(2)** that secure the system board to the base enclosure.

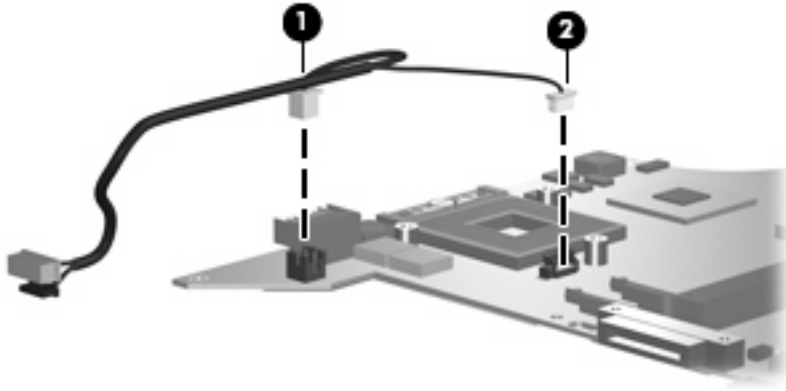


3. Use the optical drive connector **(1)** to lift the right side of the system board **(2)** until it rests at an angle.
4. Disconnect the audio board cable **(3)** from the system board.
5. Release the system board **(4)** by sliding it to the right until the connectors on the left side of the system board disengage from the base enclosure.



6. Remove the system board.
7. If it is necessary to replace the USB/power connector board cable, turn the system board upside down with the expansion port 3 toward you.

8. Disconnect the power connector cable **(1)** and the USB board cable **(2)** from the system board. The USB/power connector board cable is included in the Cable Kit, spare part number 446519-001.



Reverse the above procedure to install the system board and USB/power connector board cable.

Audio board

| Description | Spare part number |
|---|-------------------|
| For use in full-featured models (includes audio connectors, audio board cable, and infrared lens) | 446523-001 |
| For use in defeatured models (includes audio connectors, audio board cable, and infrared lens) | 449967-001 |

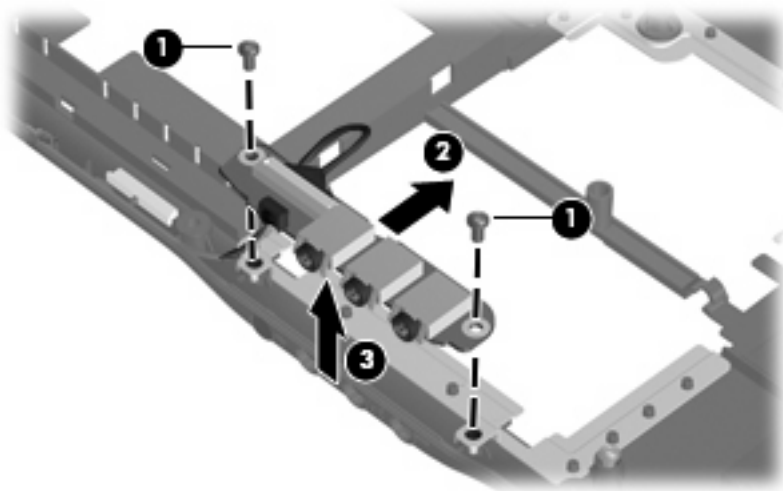
Before removing the audio board, follow these steps:

1. Shut down the computer. If you are unsure whether the computer is off or in Hibernation, turn the computer on, and then shut it down through the operating system.
2. Disconnect all external devices connected to the computer.
3. Disconnect the power from the computer by first unplugging the power cord from the AC outlet and then unplugging the AC adapter from the computer.
4. Remove the battery (see [Battery on page 46](#)).
5. Remove the following components:
 - a. Hard drive (see [Hard drive on page 51](#))
 - b. Optical drive (see [Optical drive on page 59](#))
 - c. Switch cover (see [Switch cover on page 61](#))
 - d. Keyboard (see [Keyboard on page 65](#))
 - e. Speaker assembly (see [Speaker assembly on page 63](#))
 - f. Display assembly (see [Display assembly on page 68](#))
 - g. Top cover (see [Top cover on page 74](#))
 - h. System board (see [System board on page 82](#))

Remove the audio board:


1. Remove the two Phillips PM2.5×4.0 screws **(1)** that secure the audio board to the computer.
2. Release the audio board **(2)** by sliding it back to disengage the audio connectors from the openings in the base enclosure.

3. Remove the audio board **(3)** by lifting it straight up.




Reverse this procedure to install the audio board.

Fan/heat sink assembly

 **NOTE:** All fan/heat sink assembly spare part kits include replacement thermal material.

| Description | Spare part number |
|---|-------------------|
| For use only in computer models with Intel processors: | |
| <ul style="list-style-type: none">Equipped with discrete graphics subsystem memory and 8.1 processors | 450933-001 |
| <ul style="list-style-type: none">Equipped with discrete graphics subsystem memory and 7.9 processors | 434986-001 |
| <ul style="list-style-type: none">Equipped with UMA graphics subsystem memory | 446521-001 |
| For use only in computer models with AMD processors: | |
| <ul style="list-style-type: none">Equipped with discrete graphics subsystem memory | 449960-001 |
| <ul style="list-style-type: none">Equipped with UMA graphics subsystem memory | 451860-001 |

 **NOTE:** When replacing the fan/heat sink assembly, be sure that the power button board is removed from the defective fan/heat sink assembly and installed on the replacement fan/heat sink assembly. See [Power button board on page 64](#) for power button board removal information.

NOTE: To properly ventilate the computer, allow at least a 7.6-cm (3-inch) clearance on the right side and rear panel of the computer. The computer uses an electric fan for ventilation. The fan is controlled by a temperature sensor and is designed to turn on automatically when high temperature conditions exist. These conditions are affected by high external temperatures, system power consumption, power management/battery conservation configurations, battery fast charging, and software applications. Exhaust air is displaced through the ventilation grill located on the left side of the computer.


Before removing the fan/heat sink assembly, follow these steps:

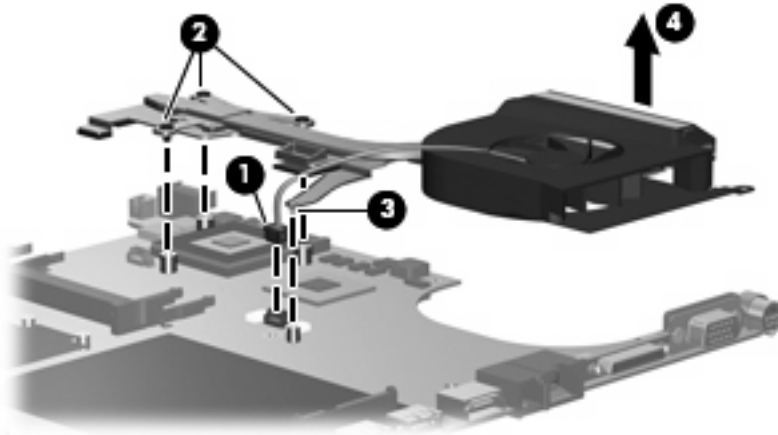
1. Shut down the computer. If you are unsure whether the computer is off or in Hibernation, turn the computer on, and then shut it down through the operating system.
2. Disconnect all external devices connected to the computer.
3. Disconnect the power from the computer by first unplugging the power cord from the AC outlet and then unplugging the AC adapter from the computer.
4. Remove the battery (see [Battery on page 46](#)).
5. Remove the following components:
 - a. Hard drive (see [Hard drive on page 51](#))
 - b. Optical drive (see [Optical drive on page 59](#))
 - c. Switch cover (see [Switch cover on page 61](#))
 - d. Keyboard (see [Keyboard on page 65](#))
 - e. Speaker assembly (see [Speaker assembly on page 63](#))
 - f. Display assembly (see [Display assembly on page 68](#))
 - g. Top cover (see [Top cover on page 74](#))
 - h. Audio board (see [Audio board on page 86](#))
 - i. USB/power connector board (see [USB/power connector board on page 81](#))
 - j. System board (see [System board on page 82](#))


Remove the fan/heat sink assembly:

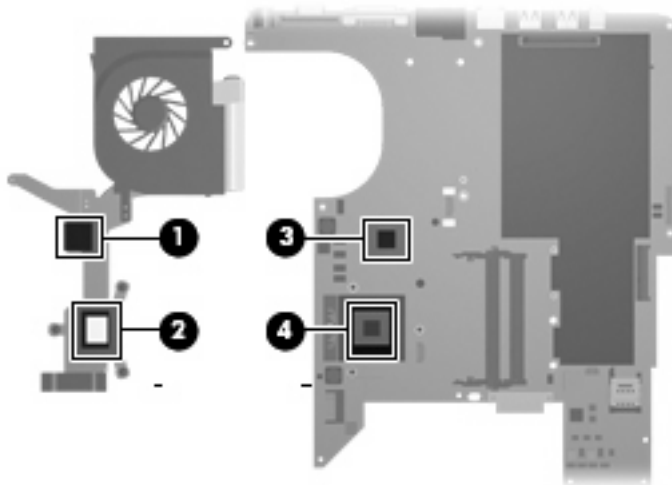
1. Turn the system board upside down with the expansion port 3 and external monitor port toward you.
2. Disconnect the fan cable **(1)** from the system board.
3. Loosen the three Phillips PM2.5×5.0 screws **(2)** and the Phillips PM2.5×4.0 screw **(3)** that secure the fan/heat sink assembly to the system board.

4. Remove the fan/heat sink assembly **(4)**.

 **NOTE:** Due to the adhesive quality of the thermal paste and thermal pads located between the fan/heat sink assembly and system board components, it may be necessary to move the fan/heat sink assembly from side to side to detach the assembly.




 **NOTE:** The thermal material must be thoroughly cleaned from the surfaces of the fan/heat sink assembly **(1)** and **(2)**, the processor **(3)**, and the system board component **(4)** each time the fan/heat sink assembly is removed. Thermal material must be installed on all surfaces before the fan/heat sink assembly is reinstalled. Thermal material is included with all fan/heat sink assembly, system board, and processor spare part kits.



Reverse this procedure to install the fan/heat sink assembly.

Processor

 **NOTE:** All processor spare part kits include thermal paste.

| Description | Spare part number |
|---|-------------------|
| Intel Core 2 Duo processors: | |
| 2.20-GHz processor (4-MB L2 cache, 800-MHz FSB) | 453771-001 |

| Description | Spare part number |
|---|-------------------|
| 2.00-GHz processor (2-MB L2 cache, 800-MHz FSB) | 455515-001 |
| 1.86-GHz processor (1-MB L2 cache, 533-MHz FSB) | 453773-001 |
| 1.50-GHz processor (2-MB L2 cache, 667-MHz FSB) | 453772-001 |
| Intel Core Duo processors: | |
| T7300 2.00-GHz processor (2-MB L2 cache) | 446478-001 |
| T7100 1.80-GHz processor (2-MB L2 cache) | 446479-001 |
| T5250 1.50-GHz processor (2-MB L2 cache) | 453033-001 |
| T2330 1.6-GHz processor (1-MB L2 cache, 533-MHz FSB) | 455944-001 |
| T2310 1.46-GHz processor (1-MB L2 cache, 533-MHz FSB) | 455943-001 |
| Intel Celeron processor: | |
| M530 1.73-GHz processor (1-MB L2 cache, 533-MHz FSB) | 457315-001 |
| AMD processors: | |
| Turion MK-38 (2.2-GHz, 512-MB L2 cache) | 449904-001 |
| Turion TL-66 (2.3 -GHz, 1-MB L2 cache) | 450804-001 |
| Turion TL-60 (2.0 -GHz, 1-MB L2 cache) | 450803-001 |
| Turion TL-58 (1.9 -GHz, 1-MB L2 cache) | 450802-001 |
| Turion TL-56 (1.8 -GHz, 1-MB L2 cache) | 450801-001 |
| Athlon TK-53 (1.7-GHz, 512-MB L2 cache) | 451013-001 |
| Processor bracket | |
| For use with 7.9 processors | 450370-001 |
| For use with 8.1 processors | 450371-001 |


Before removing the processor, follow these steps:

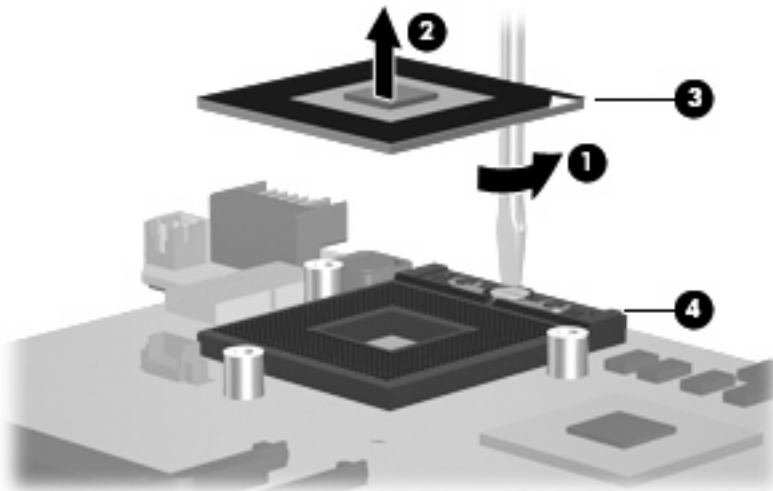
1. Shut down the computer. If you are unsure whether the computer is off or in Hibernation, turn the computer on, and then shut it down through the operating system.
2. Disconnect all external devices connected to the computer.
3. Disconnect the power from the computer by first unplugging the power cord from the AC outlet and then unplugging the AC adapter from the computer.
4. Remove the battery (see [Battery on page 46](#)).
5. Remove the following components:
 - a. Hard drive (see [Hard drive on page 51](#))
 - b. Optical drive (see [Optical drive on page 59](#))
 - c. Switch cover (see [Switch cover on page 61](#))

- d. Keyboard (see [Keyboard on page 65](#))
- e. Speaker assembly (see [Speaker assembly on page 63](#))
- f. Display assembly (see [Display assembly on page 68](#))
- g. Top cover (see [Top cover on page 74](#))
- h. Audio board (see [Audio board on page 86](#))
- i. USB/power connector board (see [USB/power connector board on page 81](#))
- j. System board (see [System board on page 82](#))
- k. Fan/heat sink assembly (see [Fan/heat sink assembly on page 87](#))

Remove the processor:

1. Turn the processor locking screw **(1)** one-half turn counterclockwise until you hear a click.
2. Lift the processor **(2)** straight up and remove it.

 **NOTE:** The gold triangle **(3)** on the processor must be aligned with the triangle icon **(4)** embossed on the processor socket when you install the processor.




Reverse this procedure to install the processor.

5 Setup Utility

Starting the Setup Utility

The Setup Utility is a ROM-based information and customization utility that can be used even when your Windows® operating system is not working or will not load.

 **NOTE:** The fingerprint reader (select models only) does not work when accessing the Setup Utility.

The utility reports information about the computer and provides settings for startup, security, and other preferences.

To start the Setup Utility:

1. Turn on or restart the computer.
2. Before Windows opens and while “Press <F10> to enter setup” is displayed in the lower-left corner of the screen, press **f10**.

Changing the language of the Setup Utility

The following procedure explains how to change the language of the Setup Utility. If the Setup Utility is not already running, begin at step 1. If the Setup Utility is already running, begin at step 2.

1. To start the Setup Utility, turn on or restart the computer, and then press **f10** while “Press <F10> to enter setup” is displayed in the lower-left corner of the screen.
2. Use the arrow keys to select **System Configuration > Language**, and then press **enter**.
3. Press **f5** or **f6** (or use the arrow keys) to select a language, and then press **enter** to select a language.
4. When a confirmation prompt with your preference selected is displayed, press **enter** to save your preference.
5. To set your preferences and exit the Setup Utility, press **f10** and then follow the instructions on the screen.

Your preferences go into effect when the computer restarts in Windows.

Navigating and selecting in the Setup Utility

Because the Setup Utility is not Windows-based, it does not support the TouchPad. Navigation and selection are by keystroke.

- To choose a menu or a menu item, use the arrow keys.
- To choose an item in a drop-down list or to toggle a field, for example an Enable/Disable field, use either the arrow keys or **f5** or **f6**.
- To select an item, press **enter**.
- To close a text box or return to the menu display, press **esc**.
- To display additional navigation and selection information while the Setup Utility is open, press **f1**.

Displaying system information

The following procedure explains how to display system information in the Setup Utility. If the Setup Utility is not open, begin at step 1. If the Setup Utility is open, begin at step 2.


1. To start the Setup Utility, turn on or restart the computer, and then press **f10** while “Press <F10>to enter setup” is displayed in the lower-left corner of the screen.
2. Access the system information by using the **Main** menu.
3. To exit the Setup Utility without changing any settings, use the arrow keys to select **Exit > Exit Discarding Changes**, and then press **enter**. (The computer restarts in Windows.)

Restoring default settings in the Setup Utility

The following procedure explains how to restore the Setup Utility default settings. If the Setup Utility is not already running, begin at step 1. If the Setup Utility is already running, begin at step 2.

1. To start the Setup Utility, turn on or restart the computer, and then press **f10** while “Press <F10>to enter setup” is displayed in the lower-left corner of the screen.
2. Select **Exit > Load Setup Defaults**, and then press **enter**.
3. When the Setup Confirmation is displayed, press **enter** to save your preferences.
4. To set your preferences and exit the Setup Utility, press **f10**, and then follow the instructions on the screen.

The Setup Utility default settings are set when you exit the Setup Utility and go into effect when the computer restarts.

 **NOTE:** Your password, security, and language settings are not changed when you restore the factory default settings.

Using advanced Setup Utility features

This chapter describes the Setup Utility features recommended for all users. For more information about the Setup Utility features recommended for advanced users only, refer to Help and Support, which is accessible only when the computer is in Windows.

The Setup Utility features available for advanced users include a hard drive self-test, a Network Service Boot, and settings for boot order preferences.

The “<F12> to boot from LAN” message that is displayed in the lower-left corner of the screen each time the computer is started or restarted in Windows is the prompt for a Network Service Boot.

The “Press <ESC> to change boot order” message that is displayed in the lower-left corner of the screen each time the computer is started or restarted in Windows is the prompt to change the boot order.

Closing the Setup Utility

You can close the Setup Utility with or without saving changes.

- To close the Setup Utility and save your changes from the current session, use either of the following procedures:

- Press **f10**, and then follow the instructions on the screen.

—or—

- If the Setup Utility menus are not visible, press **esc** to return to the menu display. Then use the arrow keys to select **Exit > Exit Saving Changes**, and then press **enter**.

When you use the **f10** procedure, you are offered an option to return to the Setup Utility. When you use the Exit Saving Changes procedure, the Setup Utility closes when you press **enter**.


- To close the Setup Utility without saving your changes from the current session:

If the Setup Utility menus are not visible, press **esc** to return to the menu display. Then use the arrow keys to select **Exit > Exit Discarding Changes**, and then press **enter**.

After the Setup Utility closes, the computer restarts in Windows.

Setup Utility menus

The menu tables in this section provide an overview of Setup Utility options.

 **NOTE:** Some of the Setup Utility menu items listed in this section may not be supported by your computer.

Main menu

| Select | To do this |
|--------------------|---|
| System information | <ul style="list-style-type: none">• View and change the system time and date.• View identification information about the computer.• View specification information about the processor, memory size, system BIOS, and keyboard controller version (select models only). |

Security menu

| Select | To do this |
|------------------------|---|
| Administrator password | Enter, change, or delete an administrator password. |
| Power-On Password | Enter, change, or delete a power-on password. |

System Configuration menu

| Select | To do this |
|--|---|
| Language Support | Change the Setup Utility language. |
| Enhanced SATA support (select models only) | Enable/disable enhanced SATA mode. |
| Boot Options | Set the following boot options: <ul style="list-style-type: none">• f10 and f12 Delay (sec.)—Set the delay for the f10 and f12 functions of the Setup Utility in intervals of 5 seconds each (0, 5, 10, 15, 20).• CD-ROM boot—Enable/disable boot from CD-ROM.• Floppy boot—Enable/disable boot from Floppy.• Internal Network Adapter boot—Enable/disable boot from Internal Network Adapter.• Boot Order—Set the boot order for:<ul style="list-style-type: none">◦ USB Floppy◦ ATAPI CD/DVD ROM Drive◦ Hard drive◦ USB Diskette on Key◦ USB Hard drive◦ Network adapter |
| Button Sound (select models only) | Enable/disable the Quick Launch Button tapping sound. |
| Video memory up to (select models only) | Select the amount of video memory. |

Diagnostics menu

| Select | To do this |
|--|---|
| Hard Disk Self Test | Run a comprehensive self-test on the hard drive. NOTE: On models equipped with two hard drives, this menu option is called the Primary Hard Disk Self Test . |
| Secondary Hard Disk Self Test (select models only) | Run a comprehensive self-test on a secondary hard drive. |

6 Specifications

Computer specifications

| | Metric | U.S. |
|---|---|---------------------|
| Dimensions | | |
| Height (front to back) | 4.09 cm | 1.61 in |
| Width | 35.71 cm | 14.06 in |
| Depth | 25.71 cm | 10.12 in |
| Weight (with optical drive, hard drive, and battery) | 2.86 kg | 6.31 lbs |
| Input power | | |
| Operating voltage | 18.5 V dc — 19.0 V dc | |
| Operating current | 3.5 A or 4.74 A | |
| Temperature | | |
| Operating (not writing to optical disc) | 0°C to 35°C | 32°F to 95°F |
| Operating (writing to optical disc) | 5°C to 35°C | 41°F to 95°F |
| Nonoperating | -20°C to 60°C | -4°F to 140°F |
| Relative humidity | | |
| Operating | 10% to 90% | |
| Nonoperating | 5% to 95% | |
| Maximum altitude (unpressurized) | | |
| Operating (14.7 to 10.1 psia) | -15 m to 3,048 m | -50 ft to 10,000 ft |
| Nonoperating (14.7 to 4.4 psia) | -15 m to 12,192 m | -50 ft to 40,000 ft |
| Shock | | |
| Operating | 125 g, 2 ms, half-sine | |
| Nonoperating | 200 g, 2 ms, half-sine | |
| Random vibration | | |
| Operating | 0.75 g zero-to-peak, 10 Hz to 500 Hz, 0.25 oct/min sweep rate | |

| | Metric | U.S. |
|---|--|------|
| Nonoperating | 1.50 g zero-to-peak, 10 Hz to 500 Hz, 0.5 oct/min sweep rate | |
| NOTE: Applicable product safety standards specify thermal limits for plastic surfaces. The computer operates well within this range of temperatures. | | |

15.4-inch, WXGA, BrightView display specifications

| | Metric | U.S. |
|--------------------------------|--|----------|
| Dimensions | | |
| Height | 20.7 cm | 8.15 in |
| Width | 33.1 cm | 13.03 in |
| Diagonal | 39.1 cm | 15.39 in |
| Number of colors | Up to 16.8 million | |
| Contrast ratio | 200:1 (typical) | |
| Brightness | 150 nits (typical) | |
| Pixel resolution | | |
| Pitch | 0.259 × 0.259 mm | |
| Format | 1280 × 800 | |
| Configuration | RGB vertical stripe | |
| Backlight | Edge lit | |
| Character display | 80 × 25 | |
| Total power consumption | 4 W | |
| Viewing angle | +/-65° horizontal, +/-50° vertical (typical) | |

Hard drive specifications

| | 250-GB* | 200-GB* | 160-GB* | 120-GB* | 80-GB* |
|--|-----------------------------|--------------|--------------|--------------|--------------|
| Dimensions | | | | | |
| Height | 9.5 mm | 9.5 mm | 9.5 mm | 9.5 mm | 9.5 mm |
| Width | 70 mm | 70 mm | 70 mm | 70 mm | 70 mm |
| Weight | 102 g | 102 g | 102 g | 102 g | 102 g |
| Interface type | SATA | SATA | SATA | SATA | SATA |
| Transfer rate | | | | | |
| Synchronous (maximum) | 100 MB/sec | 100 MB/sec | 100 MB/sec | 100 MB/sec | 100 MB/sec |
| Security | ATA security | ATA security | ATA security | ATA security | ATA security |
| Seek times (typical read, including setting) | | | | | |
| Single track | 3 ms | 3 ms | 3 ms | 3 ms | 3 ms |
| Average | 13 ms | 13 ms | 13 ms | 13 ms | 13 ms |
| Maximum | 24 ms | 24 ms | 24 ms | 24 ms | 24 ms |
| Logical blocks | 488,379,125 | 390,706,000 | 312,560,480 | 234,433,260 | 156,280,320 |
| Disk rotational speed | 5400 rpm | 4200 rpm | 5400 rpm | 5400 rpm | 5400 rpm |
| Operating temperature | 5°C to 55°C (41°F to 131°F) | | | | |
| NOTE: Certain restrictions and exclusions apply. Consult technical support for details. | | | | | |
| *1 GB = 1 billion bytes when referring to hard drive storage capacity. Accessible capacity is less. Actual drive specifications may differ slightly. | | | | | |

DVD±RW and CD-RW Super Multi Double-Layer Combo Drive specifications

| Applicable disc | Read: | Write: |
|-----------------------------|--|---|
| | CD-DA, CD+(E)G, CD-MIDI, CD-TEXT, CD-ROM, CD-ROM XA, MIXED MODE CD, CD-I, CD-I Bridge (Photo-CD, Video CD), Multisession CD (Photo-CD, CD-EXTRA, Portfolio, CD-R, CD-RW), CD-R, CD-RW, DVD-ROM (DVD-5, DVD-9, DVD-10, DVD-18), DVD-R, DVD-RW, DVD+R, DVD+RW, DVD-RAM | CD-R and CD-RW DVD+R, DVD+RW, DVD-R, DVD-RW, DVD-RAM |
| Center hole diameter | 1.5 cm (0.59 in) | |
| Disc diameter | | |
| Standard disc | 12 cm (4.72 in) | |
| Mini disc | 8 cm (3.15 in) | |
| Disc thickness | 1.2 mm (0.047 in) | |
| Track pitch | 0.74 μm | |
| Access time | CD | DVD |
| Random | < 175 ms | < 230 ms |
| Full stroke | < 285 ms | < 335 ms |
| Audio output level | Audio-out, 0.7 Vrms | |
| Cache buffer | 2 MB | |
| Data transfer rate | | |
| 24X CD-ROM | 3,600 KB/sec | |
| 8X DVD | 10,800 KB/sec | |
| 24X CD-R | 3,600 KB/sec | |
| 16X CD-RW | 2,400 KB/sec | |
| 8X DVD+R | 10,800 KB/sec | |
| 4X DVD+RW | 5,400 KB/sec | |
| 8X DVD-R | 10,800 KB/sec | |
| 4X DVD-RW | 5,400 KB/sec | |
| 2.4X DVD+R(9) | 2,700 KB/sec | |
| 5X DVD-RAM | 6,750 KB/sec | |
| Transfer mode | Multiword DMA Mode | |
| Startup time | < 15 seconds | |
| Stop time | < 6 seconds | |

System DMA specifications, Intel

| Hardware DMA | System function |
|--------------|---------------------------------|
| DMA0 | Not applicable |
| DMA1* | Not applicable |
| DMA2* | Not applicable |
| DMA3 | Not applicable |
| DMA4 | Direct memory access controller |
| DMA5* | Available for PC Card |
| DMA6 | Not assigned |
| DMA7 | Not assigned |

*PC Card controller can use DMA 1, 2, or 5.

System DMA specifications, AMD discrete and UMA graphics

| Hardware DMA | System function |
|--------------|---------------------------------|
| DMA4 | Direct memory access controller |

System interrupt specifications, Intel

| Hardware IRQ | System function |
|--------------|--|
| IRQ0 | System timer |
| IRQ1 | Standard 101-/102-Key or Microsoft® Natural Keyboard |
| IRQ2 | Cascaded |
| IRQ3 | Intel 82801DB/DBM USB2 Enhanced Host Controller—24CD |
| IRQ4 | COM1 |
| IRQ5* | Conexant AC—Link Audio Intel 82801DB/DBM SMBus Controller—24C3 Data Fax Modem with SmartCP |
| IRQ6 | Diskette drive |
| IRQ7* | Parallel port |
| IRQ8 | System CMOS/real-time clock |
| IRQ9* | Microsoft ACPI-compliant system |
| IRQ10* | Intel USB UHCI controller—24C2 Intel 82852/82855 GM/GME Graphic Controller Realtek RTL8139 Family PCI Fast Ethernet Controller |
| IRQ11 | Intel USB EHCI controller—24CD Intel USB UHCI controller—24C4 Intel USB UHCI controller—24C7 Intel Pro/Wireless 2200BG TI OHCI 1394 host controller TI PCI1410 CardBus controller |
| IRQ12 | Synaptics PS/2 TouchPad |
| IRQ13 | Numeric data processor |
| IRQ14 | Primary IDE channel |
| IRQ15 | Secondary IDE channel |

*Default configurations are IRQ5, IRQ7, IRQ9, IRQ10, or none.

NOTE: PC Cards may assert IRQ3, IRQ4, IRQ5, IRQ7, IRQ9, IRQ10, IRQ11, or IRQ15. Either the infrared or the serial port may assert IRQ3 or IRQ4.

System interrupt specifications, AMD discrete graphics

| Hardware | IRQ System function |
|----------|--|
| IRQ0 | High precision event timer |
| IRQ1 | Standard 101-/102-Key or Microsoft® Natural PS/2 Keyboard |
| IRQ5 | RICOH OHCI Compliant IEEE 1394 Host Controller |
| IRQ7 | Ricoh Memory Stick Controller Ricoh SD/MMC Host Controller Ricoh XD-Picture Card Controller SDA Standard Compliant SD Host Controller |
| IRQ8 | High precision event timer |
| IRQ10 | nVidia nForce PCI System Management |
| IRQ11 | nVidia nForce System Management Controller |
| IRQ12 | Synaptics PS/2 Port TouchPad |
| IRQ13 | Numeric data processor |
| IRQ14 | ATA Channel 0 |
| IRQ15 | ATA Channel 1 |
| IRQ16 | Broadcom WLAN adapter |
| IRQ17 | Standard Enhanced PCI to USB Host Controller |
| IRQ18 | Standard OpenHCD USB Host Controller |
| IRQ19 | nVidia GeForce8400M GS |
| IRQ20 | nVidia nForce Networking Controller |
| IRQ21 | HDA Controller |
| IRQ23 | Standard Dual Channel PCI IDE Controller |

System interrupt specifications, AMD UMA graphics

| Hardware | IRQ System function |
|----------|--|
| IRQ0 | High precision event timer |
| IRQ1 | Standard 101-/102-Key or Microsoft® Natural PS/2 Keyboard |
| IRQ5 | RICOH OHCI Compliant IEEE 1394 Host Controller |
| IRQ7 | Ricoh Memory Stick Controller Ricoh SD/MMC Host Controller Ricoh XD-Picture Card Controller SDA Standard Compliant SD Host Controller |
| IRQ8 | High precision event timer |
| IRQ10 | nVidia nForce PCI System Management |
| IRQ11 | nVidia nForce System Management Controller |
| IRQ12 | Synaptics PS/2 Port TouchPad |
| IRQ13 | Numeric data processor |
| IRQ14 | ATA Channel 0 |
| IRQ15 | ATA Channel 1 |
| IRQ16 | nVidia MCP67M |
| IRQ18 | Standard OpenHCD USB Host Controller Standard OpenHCD USB Host Controller |
| IRQ19 | Broadcom WLAN adapter |
| IRQ21 | HDA Controller |
| IRQ22 | Standard Enhanced PCI to USB Host Controller Standard Enhanced PCI to USB Host Controller |
| IRQ23 | Standard Dual Channel PCI IDE Controller |

System I/O address specifications, Intel

| I/O address (hex) | System function (shipping configuration) |
|-------------------|--|
| 000 - 00F | DMA controller no. 1 |
| 010 - 01F | Unused |
| 020 - 021 | Interrupt controller no. 1 |
| 022 - 024 | Opti chipset configuration registers |
| 025 - 03F | Unused |
| 02E - 02F | 87334 "Super I/O" configuration for CPU |
| 040 - 05F | Counter/timer registers |
| 044 - 05F | Unused |
| 060 | Keyboard controller |
| 061 | Port B |
| 062 - 063 | Unused |
| 064 | Keyboard controller |
| 065 - 06F | Unused |
| 070 - 071 | NMI enable/RTC |
| 072 - 07F | Unused |
| 080 - 08F | DMA page registers |
| 090 - 091 | Unused |
| 092 | Port A |
| 093 - 09F | Unused |
| 0A0 - 0A1 | Interrupt controller no. 2 |
| I/O Address (hex) | System Function (shipping configuration) |
| 0A2 - 0BF | Unused |
| 0C0 - 0DF | DMA controller no. 2 |
| 0E0 - 0EF | Unused |
| 0F0 - 0F1 | Coprocessor busy clear/reset |
| 0F2 - 0FF | Unused |
| 100 - 16F | Unused |
| 170 - 177 | Secondary fixed disk controller |
| 178 - 1EF | Unused |
| 1F0 - 1F7 | Primary fixed disk controller |
| 1F8 - 200 | Unused |
| 201 | JoyStick (decoded in ESS1688) |
| 202 - 21F | Unused |

| I/O address (hex) | System function (shipping configuration) |
|--------------------------|---|
| 220 - 22F | Entertainment audio |
| 230 - 26D | Unused |
| 26E - 26 | Unused |
| 278 - 27F | Unused |
| 280 - 2AB | Unused |
| 2A0 - 2A7 | Unused |
| 2A8 - 2E7 | Unused |
| 2E8 - 2EF | Reserved serial port |
| 2F0 - 2F7 | Unused |
| 2F8 - 2FF | Infrared port |
| 300 - 31F | Unused |
| 320 - 36F | Unused |
| 370 - 377 | Secondary diskette drive controller |
| 378 - 37F | Parallel port (LPT1/default) |
| 380 - 387 | Unused |
| 388 - 38B | FM synthesizer—OPL3 |
| 38C - 3AF | Unused |
| 3B0 - 3BB | VGA |
| 3BC - 3BF | Reserved (parallel port/no EPP support) |
| 3C0 - 3DF | VGA |
| 3E0 - 3E1 | PC Card controller in CPU |
| 3E2 - 3E3 | Unused |
| 3E8 - 3EF | Internal modem |
| 3F0 - 3F7 | "A" diskette controller |
| 3F8 - 3FF | Serial port (COM1/default) |
| CF8 - CFB | PCI configuration index register (PCIDIVO-1) |
| CFC - CFF | PCI configuration data register (PCIDIVO-1) |

System I/O address specifications, AMD discrete and UMA graphics

| I/O address (hex) | System function (shipping configuration) |
|-----------------------------|---|
| 0000 - 0008 | DMA controller |
| 000A - 000F | DMA controller |
| 0020 - 0021 | Programmable interrupt controller |
| 0040 - 0043 | System timer |
| 0060 - 0060 | Standard 101-/102-Key or Microsoft® Natural PS/2 Keyboard |
| 0061 - 0061 | System speaker |
| 0062 - 0062 | Microsoft ACPI-Compliant Embedded Controller |
| 0064 - 0064 | Standard 101-/102-Key or Microsoft® Natural PS/2 Keyboard |
| 0066 - 0066 | Microsoft ACPI-Compliant Embedded Controller |
| 0070 - 0071 | System CMOS/real time clock |
| 0081 - 0083 | DMA controller |
| 0087 - 0087 | DMA controller |
| 0089 - 008B | DMA controller |
| 008F - 008F (UMA only) | DMA controller |
| 00A0 - 00A1 | Programmable interrupt controller |
| 00C0 - 00D1 | DMA controller |
| 00D4 - 00DF | DMA controller |
| 00F0 - 00F1 | Numeric data processor |
| 0170 - 0177 | ATA Channel 1 |
| 01F0 - 01F7 | ATA Channel 0 |
| 0376 - 0376 | ATA Channel 1 |
| 03B0 - 03BB | nVidia GeForce8400M GS (discrete) nVidia MCP67M (UMA) |
| 03B0 - 03BB (discrete only) | PCI standard PCI-to-PCI bridge |
| 03C0 - 03DF | nVidia GeForce8400M GS (discrete) nVidia MCP67M (UMA) |
| 03C0 - 03DF (discrete only) | PCI standard PCI-to-PCI bridge |
| 03F6 - 03F6 | ATA Channel 0 |
| 3000 - 303F | nVidia nForce PCI System Management |
| 3040 - 307F | nVidia nForce PCI System Management |
| 3080 - 30BF | nVidia nForce PCI System Management |
| 30C0 - 30CF | Standard Dual Channel PCI IDE Controller |

| I/O address (hex) | System function (shipping configuration) |
|-----------------------------|---|
| 30D0 - 30DF | Standard Dual Channel PCI IDE Controller |
| 30E0 - 30E3 (UMA only) | Standard Dual Channel PCI IDE Controller |
| 30E8 - 30EB | Standard Dual Channel PCI IDE Controller |
| 30EC - 30EF | Standard Dual Channel PCI IDE Controller |
| 30F0 - 30F7 | Standard Dual Channel PCI IDE Controller |
| 30F8 - 30FF (discrete only) | Standard Dual Channel PCI IDE Controller |
| 4000 - 407F (discrete only) | nVidia GeForce8400M GS |
| 4000 - 4FFF | PCI standard PCI-to-PCI bridge |
| 5000 - 5FFF (discrete only) | PCI standard PCI-to-PCI bridge |

System memory map specifications, Intel

| Size | Memory address | System function |
|--------|-------------------|------------------------------|
| 640 KB | 00000000-0009FFFF | Base memory |
| 128 KB | 000A0000-000BFFFF | Video memory |
| 48 KB | 000C0000-000CBFFF | Video BIOS |
| 160 KB | 000C8000-000E7FFF | Unused |
| 64 KB | 000E8000-000FFFFF | System BIOS |
| 15 MB | 00100000-00FFFFFF | Extended memory |
| 58 MB | 04800000-07FFFFFF | Super extended memory |
| 58 MB | 04800000-07FFFFFF | Unused |
| 2 MB | 08000000-080FFFFF | Video memory (direct access) |
| 4 GB | 08200000-FFFFFFFF | Unused |
| 64 KB | FFFF0000-FFFFFFFF | System BIOS |

System memory map specifications, AMD discrete graphics

| Size | Memory address | System function |
|--------|--------------------|--|
| 128 KB | 000A0000-000BFFFF | nVidia GeForce8400M GS |
| 16 KB | B0000000-B0003FFF | HDA Controller |
| 8 KB | B0004000-B0005FFF | Standard Dual Channel PCI IDE Controller |
| 4 KB | B0006000-B0006FFF | Standard OpenHCD USB Host Controller |
| 256 B | B0007000-B00070FF | Standard Enhanced PCI to USB Host Controller |
| 4 KB | B0008000-B0008FFF | nVidia nForce Networking Controller |
| 512 KB | B0080000-B00FFFFFF | nVidia nForce System Management Controller |
| 2 KB | B0100000-B01007FF | RICOH OHCI Compliant IEEE 1394 Host Controller |
| 256 B | B0100800-B01008FF | SDA Standard Compliant SD Host Controller |
| 256 B | B0100C00-B0100CFF | Ricoh SD/MMC Host Controller |
| 256 B | B0101000-B01010FF | Ricoh Memory Stick Controller |
| 256 B | B0101400-B01014FF | Ricoh XD-Picture Card Controller |
| 16 KB | B0200000-B0203FFF | Broadcom WLAN adapter |
| 16 MB | B1000000-B1FFFFFF | nVidia GeForce8400M GS |
| 32 MB | B2000000-B3FFFFFF | nVidia GeForce8400M GS |
| 1 MB | B6000000-B60FFFFFF | Broadcom WLAN adapter |
| 256 MB | C0000000-CFFFFFFF | nVidia GeForce8400M GS |
| 1 KB | FED00000-FED003FF | High precision event timer |

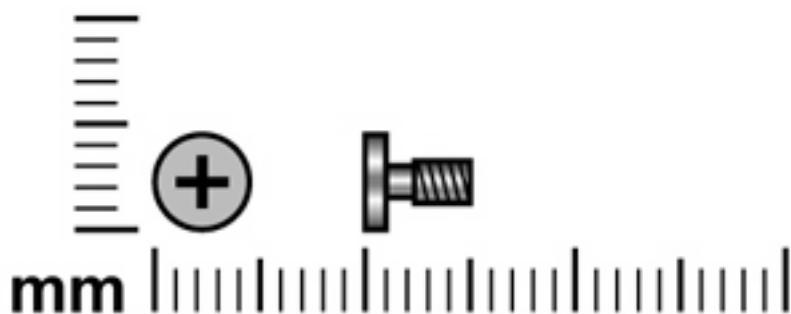
System memory map specifications, AMD UMA graphics

| Size | Memory address | System function |
|--------|--------------------|--|
| 128 KB | 000A0000-000BFFFF | nVidia MCP67M |
| 16 KB | B0000000-B0003FFF | HDA Controller |
| 8 KB | B0004000-B0005FFF | Standard Dual Channel PCI IDE Controller |
| 4 KB | B0006000-B0006FFF | Standard OpenHCD USB Host Controller |
| 256 B | B0007000-B00070FF | Standard Enhanced PCI to USB Host Controller |
| 256 B | B0007400-B00074FF | Standard Enhanced PCI to USB Host Controller |
| 16 B | B0007800-B000780F | nVidia nForce Networking Controller |
| 256 B | B0007C00-B0007CFF | nVidia nForce Networking Controller |
| 4 KB | B0008000-B0008FFF | Standard OpenHCD USB Host Controller |
| 4 KB | B0009000-B0009FFF | nVidia nForce Networking Controller |
| 512 KB | B0080000-B00FFFFFF | nVidia nForce System Management Controller |
| 16 MB | B1000000-B1FFFFFF | nVidia MCP67M |
| 16 MB | B2000000-B2FFFFFF | nVidia MCP67M |
| 2 KB | B3000000-B30007FF | RICOH OHCI Compliant IEEE 1394 Host Controller |
| 256 B | B3000800-B30008FF | SDA Standard Compliant SD Host Controller |
| 256 B | B3000C00-B3000CFF | Ricoh SD/MMC Host Controller |
| 256 B | B3001000-B30010FF | Ricoh Memory Stick Controller |
| 256 B | B3001400-B30014FF | Ricoh XD-Picture Card Controller |
| 16 KB | B6000000-B6003FFF | Broadcom WLAN adapter |
| 256 KB | C0000000-CFFFFFFF | nVidia MCP67M |
| 1 KB | FED00000-FED003FF | High precision event timer |

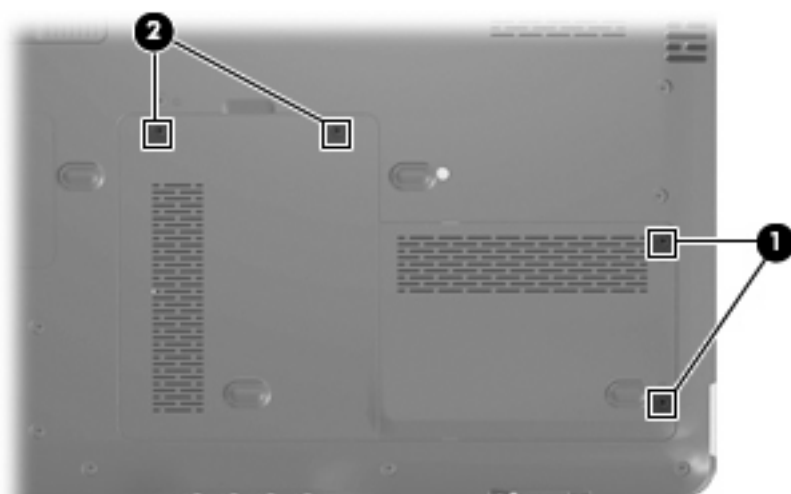
7 Screw listing

This section provides specification and reference information for the screws and standoffs used in the computer. All screws and standoffs listed in this section are available in the Screw Kit, spare part number 434747-001, and the Display Screw Kit, spare part number 431399-001.

Phillips PM2.0×5.0 captive screw



| Color | Quantity | Length | Thread | Head width |
|-------|----------|--------|--------|------------|
| Black | 4 | 5.0 mm | 2.0 mm | 5.0 mm |

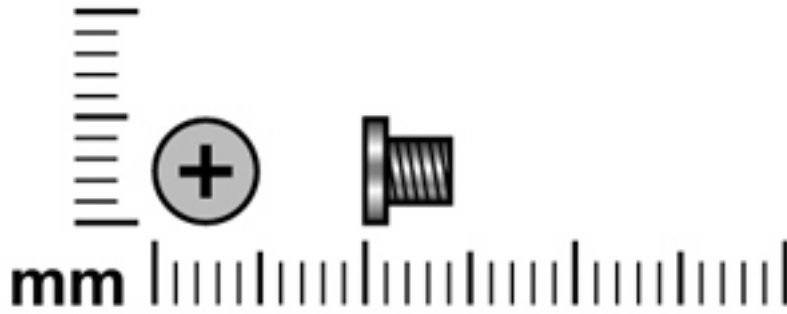


Where used:

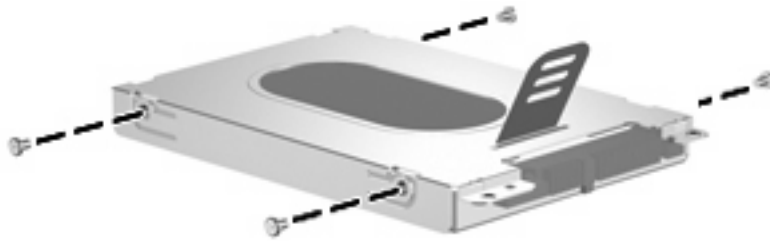
(1) Two screws (secured by C-clips) that secure the hard drive cover to the computer

(2) Two screws (secured by C-clips) that secure the memory/WLAN module compartment cover to the computer

Phillips PM3.0×4.0 screw

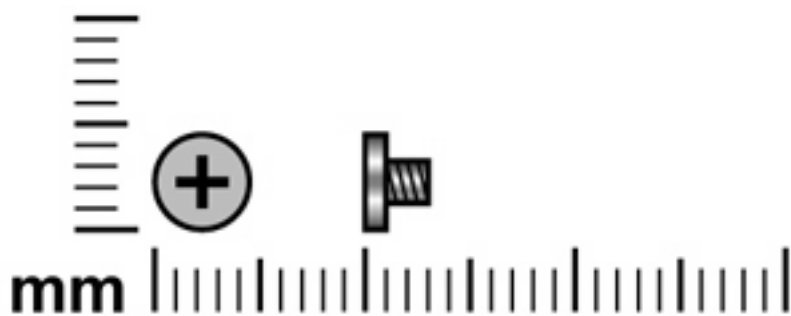


| Color | Quantity | Length | Thread | Head width |
|--------|----------|--------|--------|------------|
| Silver | 4 | 4.0 mm | 3.0 mm | 5.0 mm |

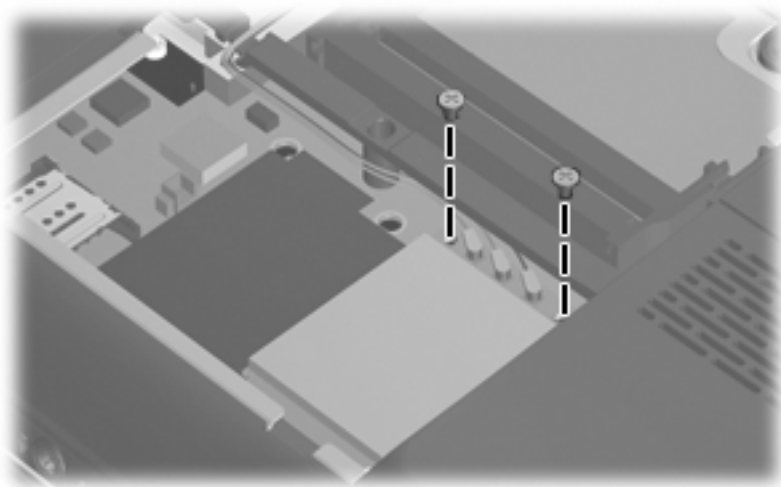


Where used: 4 screws that secure the hard drive bracket to the hard drive

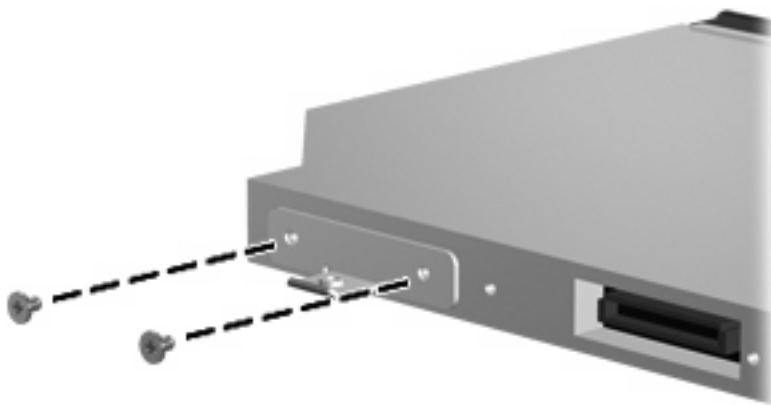
Phillips PM2.0×3.0 screw



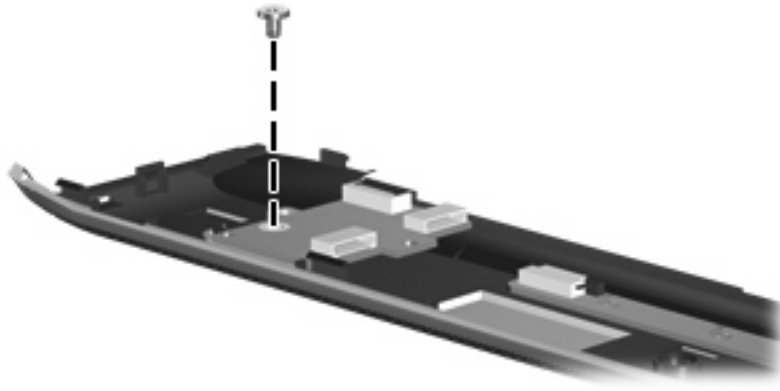
| Color | Quantity | Length | Thread | Head width |
|--------|----------|--------|--------|------------|
| Silver | 11 | 3.0 mm | 2.0 mm | 4.5 mm |



Where used: 2 screws that secure the WLAN module to the system board



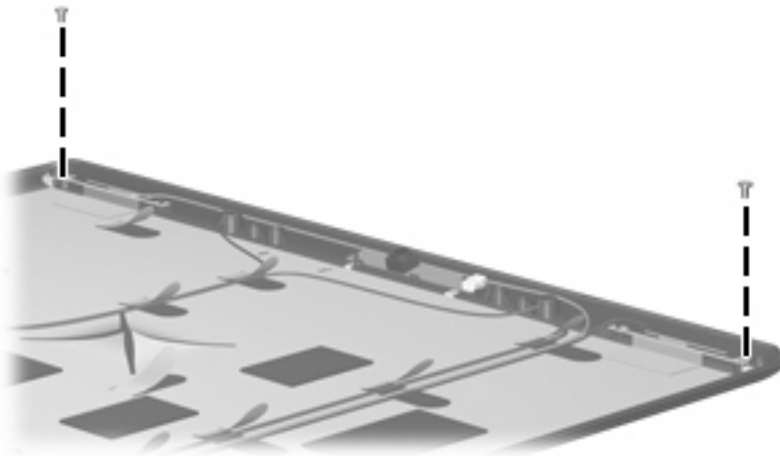
Where used: 2 screws that secure the optical drive bracket to the optical drive



Where used: One screw that secures the power button board to the fan/heat sink assembly

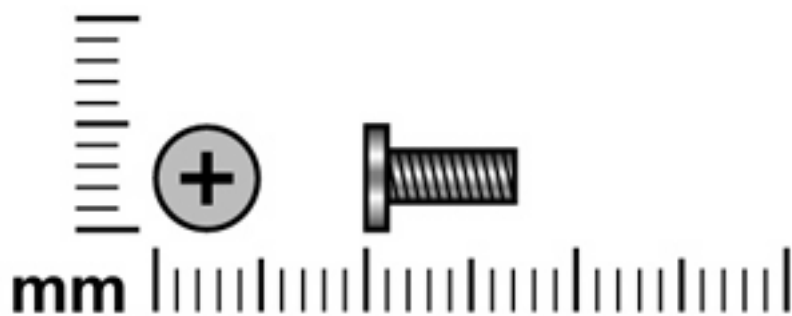


Where used: 4 screws that secure the display hinges to the display panel

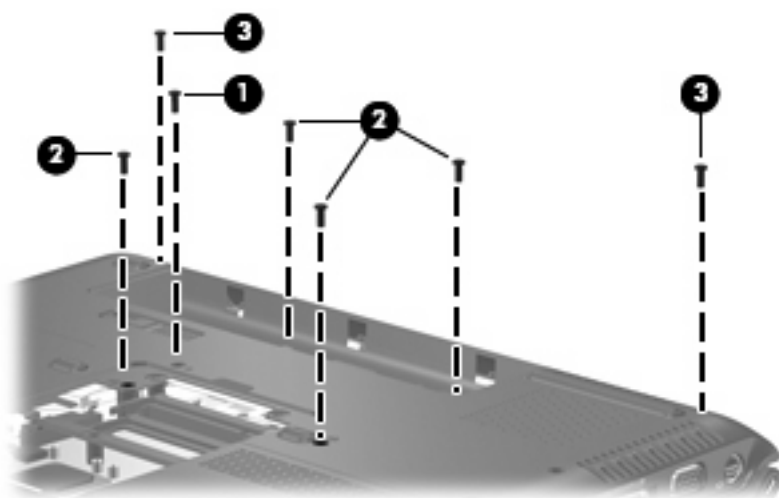


Where used: 2 screws that secure the wireless antenna transceivers to the display enclosure

Phillips PM2.5×7.0 screw

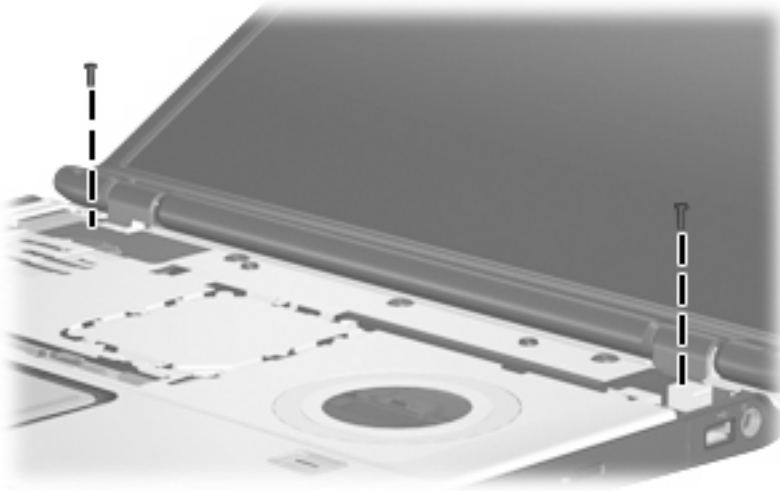


| Color | Quantity | Length | Thread | Head width |
|-------|----------|--------|--------|------------|
| Black | 23 | 7.0 mm | 2.5 mm | 5.0 mm |

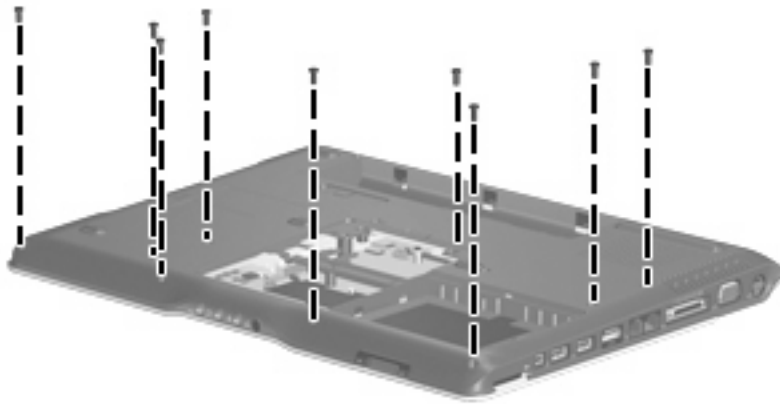


Where used:

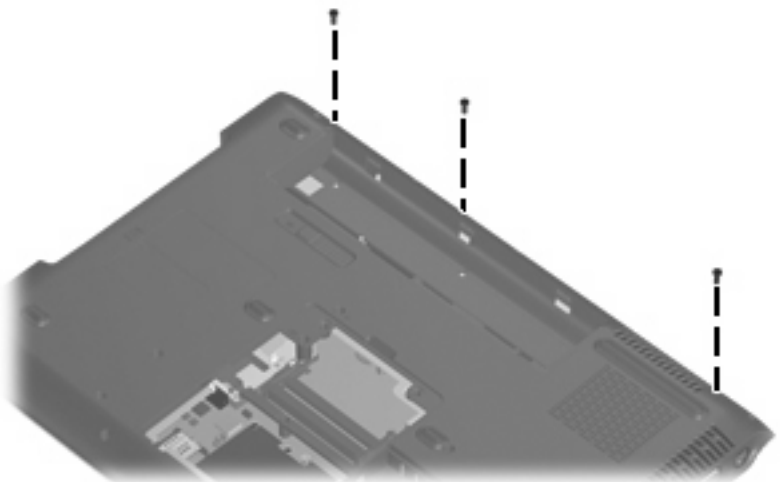
- (1) One screw that secures the optical drive to the computer
- (2) Four screws that secure the keyboard to the computer
- (3) Two screws that secure the display assembly to the computer



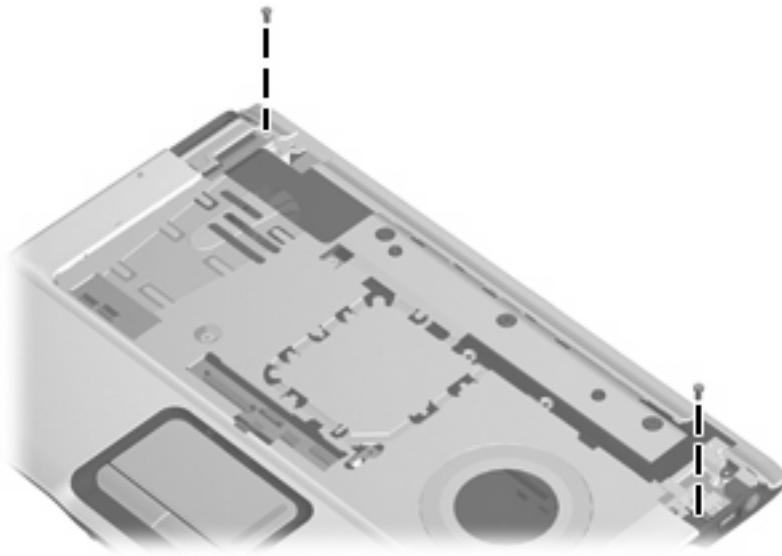
Where used: 2 screws that secure the display assembly to the computer



Where used: 9 screws that secure the top cover to the computer

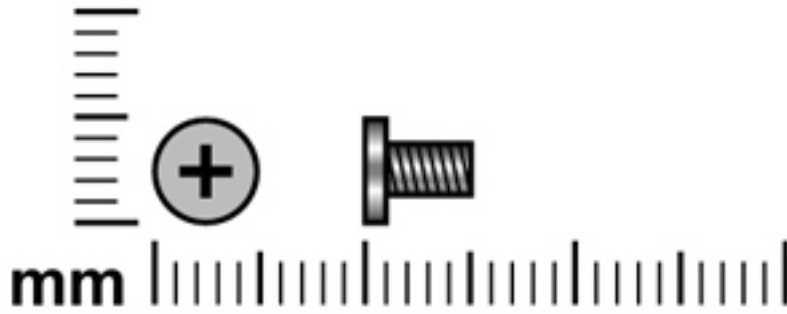


Where used: 3 screws that secure the top cover trim to the computer

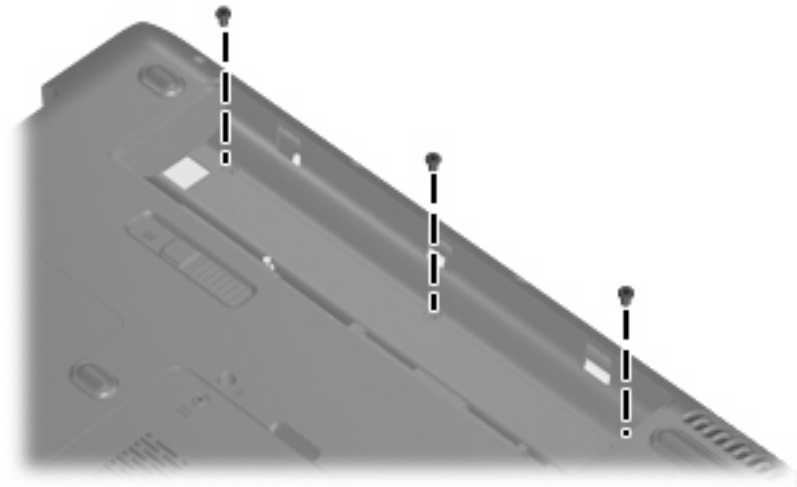


Where used: 2 screws that secure the top cover to the computer

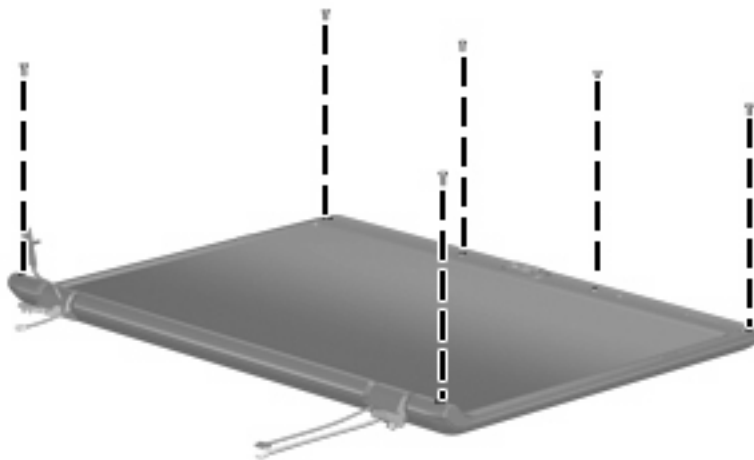
Phillips PM2.5×5.0 screw



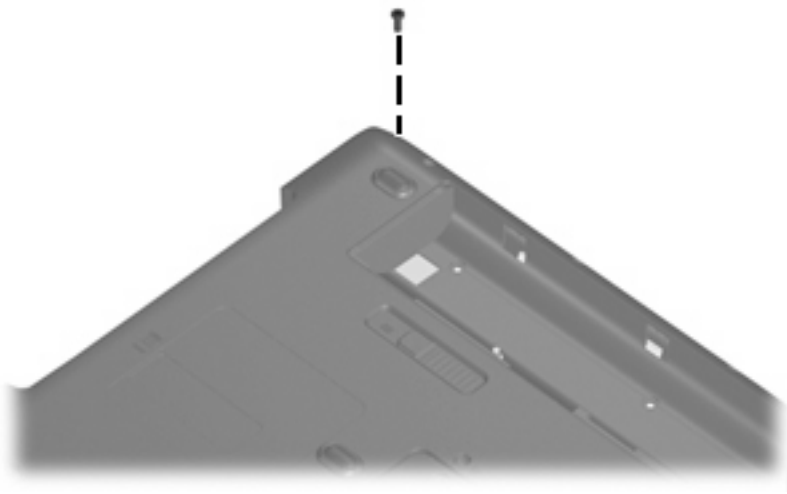
| Color | Quantity | Length | Thread | Head width |
|-------|----------|--------|--------|------------|
| Black | 11 | 5.0 mm | 2.5 mm | 5.0 mm |



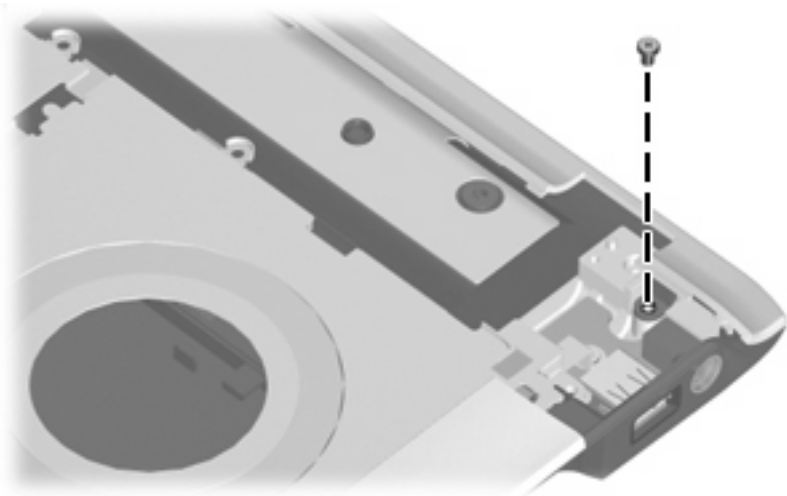
Where used: 3 screws that secure the switch cover to the computer



Where used: 6 screws that secure the display bezel to the display assembly

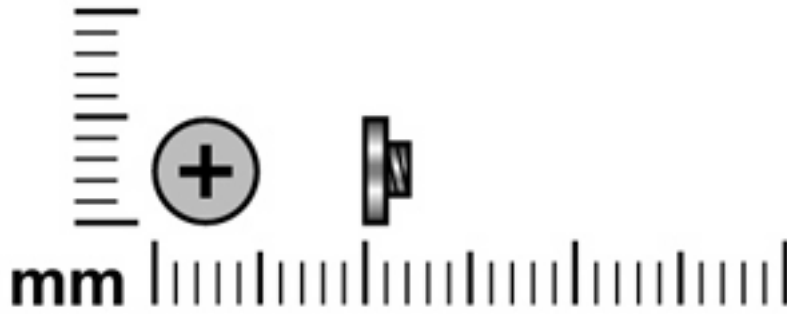


Where used: One screw that secures the top cover to the computer

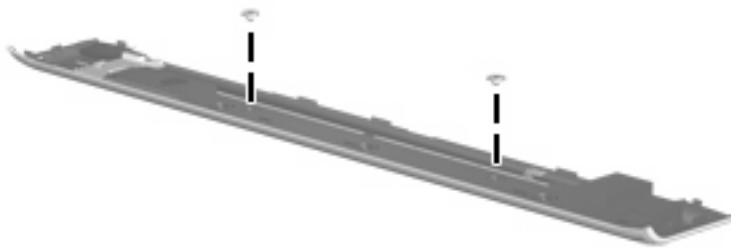


Where used: One screw that secures the top cover to the computer

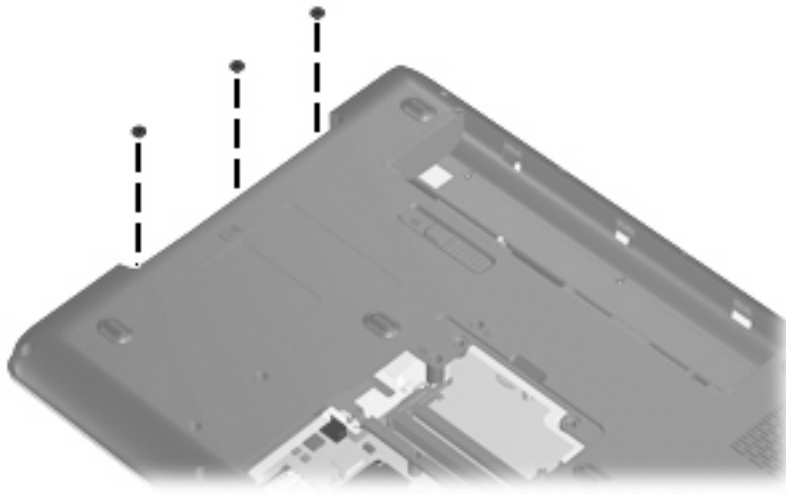
Phillips PM2.5×2.0 screw



| Color | Quantity | Length | Thread | Head width |
|--------|----------|--------|--------|------------|
| Silver | 5 | 2.0 mm | 2.5 mm | 7.0 mm |

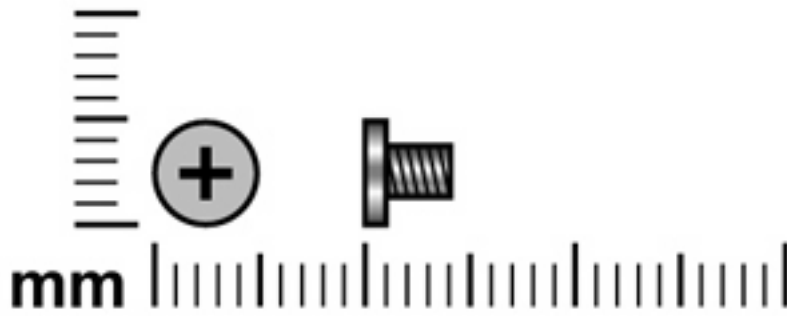


Where used: 2 screws that secure the speaker assembly to the computer

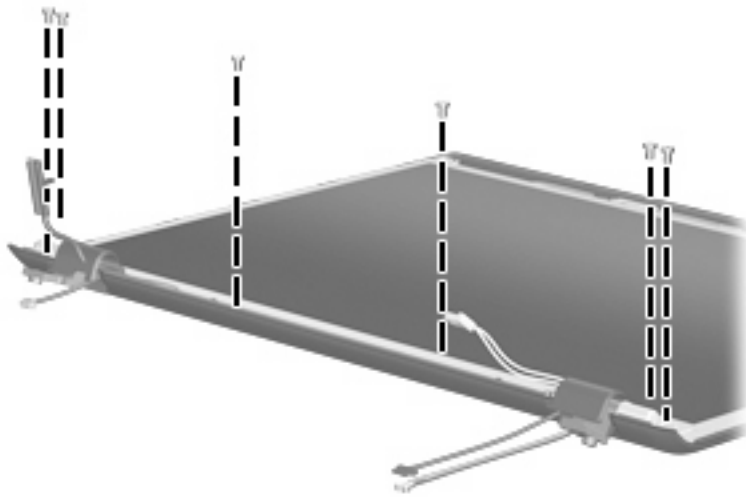


Where used: 3 screws that secure the top cover to the computer

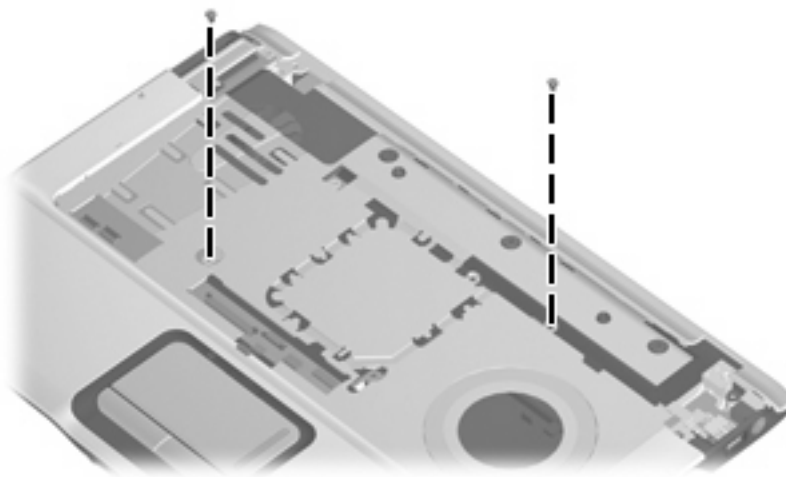
Phillips PM2.5×4.0 screw



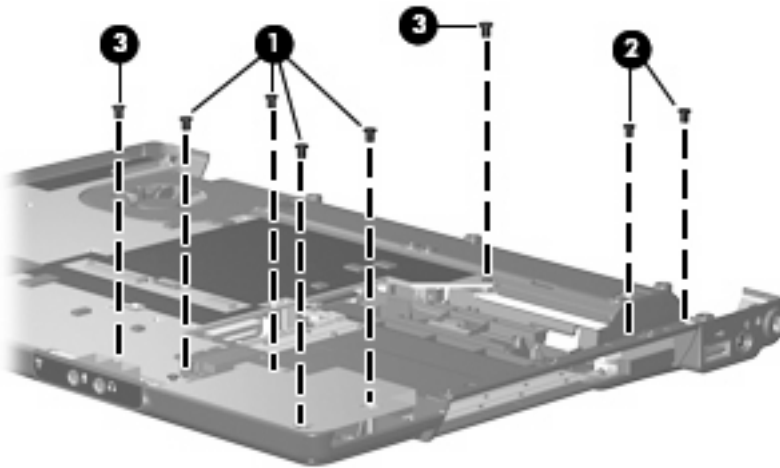
| Color | Quantity | Length | Thread | Head width |
|--------|----------|--------|--------|------------|
| Silver | 18 | 4.0 mm | 2.5 mm | 5.0 mm |



Where used: 6 screws that secure the display panel to the display assembly

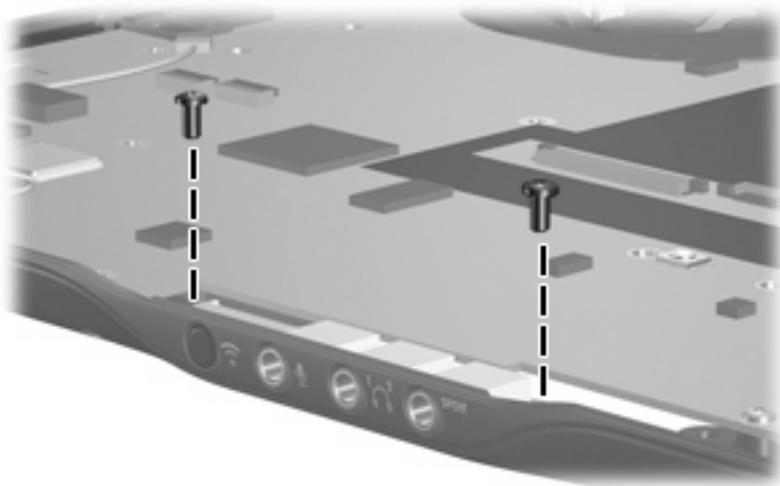


Where used: 2 screws that secure the top cover to the computer



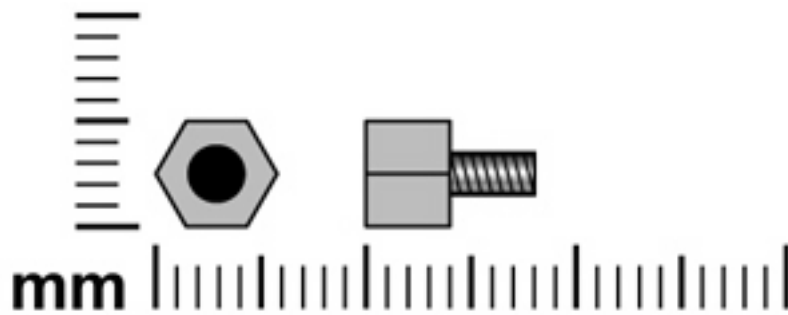
Where used:

- (1) Four screws that secure the ExpressCard assembly to the computer
- (2) Two screws that secure the USB/power connector board to the computer
- (3) Two screws that secure the system board to the computer

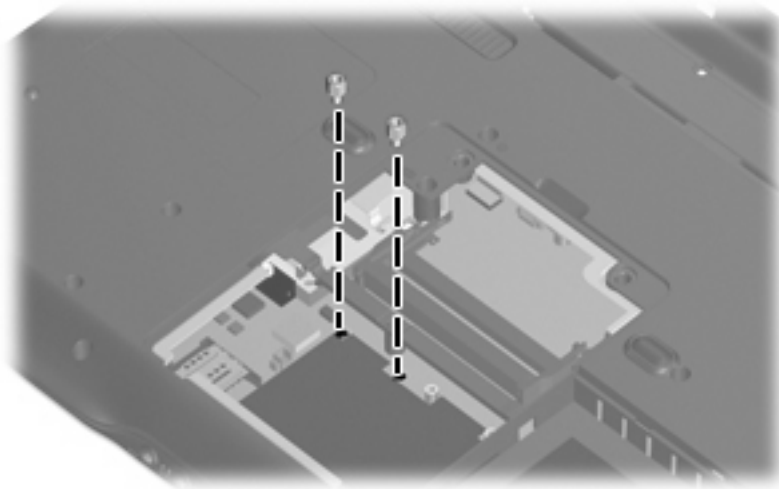


Where used: 2 screws that secure the audio board to the computer

Hex HM5.0×9.0 standoff

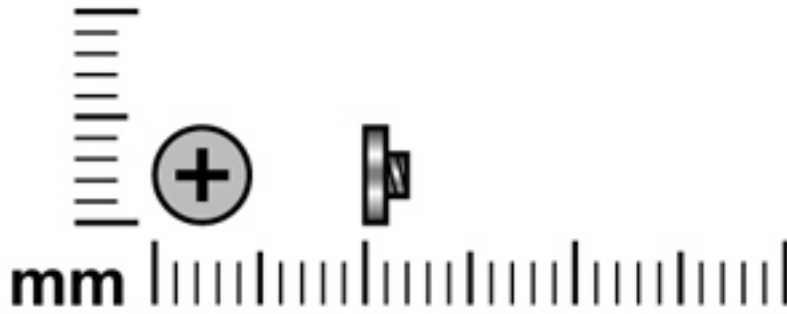


| Color | Quantity | Length | Thread | Head width |
|--------|----------|--------|--------|------------|
| Silver | 2 | 9.0 mm | 2.5 mm | 5.0 mm |

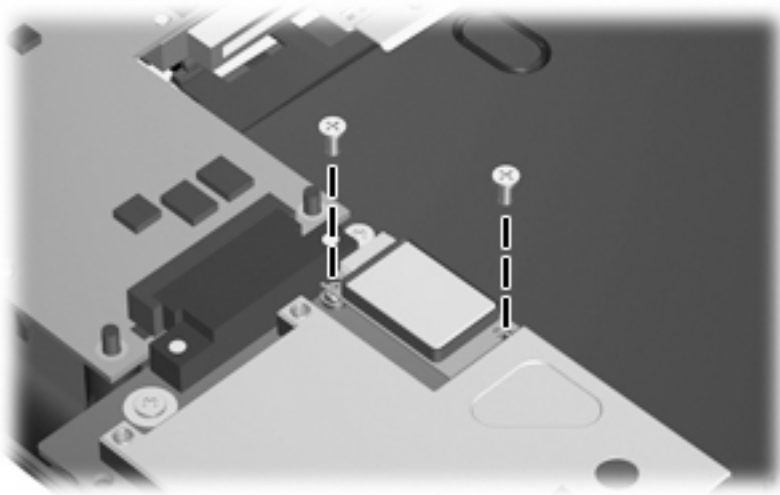


Where used: 2 standoffs that secure the top cover to the computer

Phillips PM2.0×2.0 screw

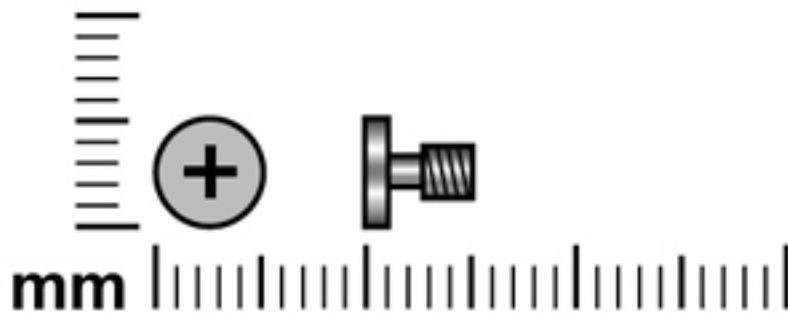


| Color | Quantity | Length | Thread | Head width |
|--------|----------|--------|--------|------------|
| Silver | 2 | 2.0 mm | 2.0 mm | 4.0 mm |

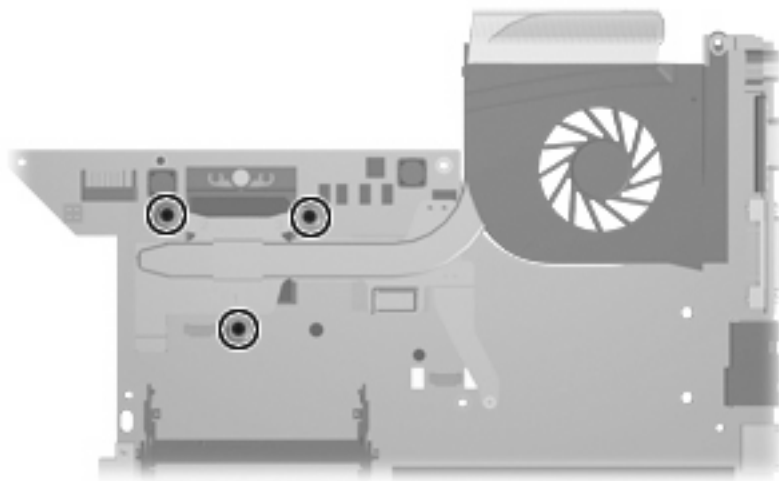


Where used: 2 screws that secure the Bluetooth module to the system board

Phillips PM2.5×5.0 captive screw

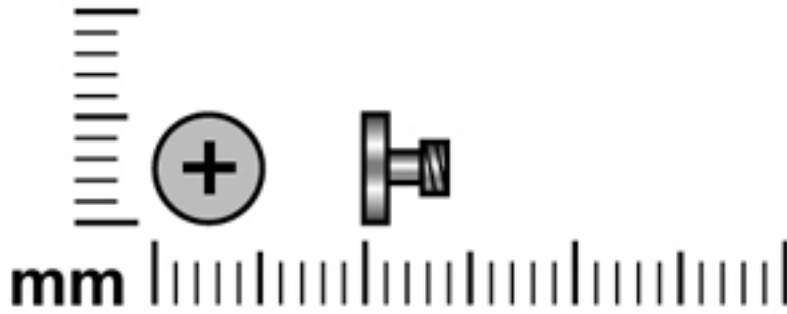


| Color | Quantity | Length | Thread | Head width |
|-------|----------|--------|--------|------------|
| Black | 3 | 5.0 mm | 2.5 mm | 5.0 mm |

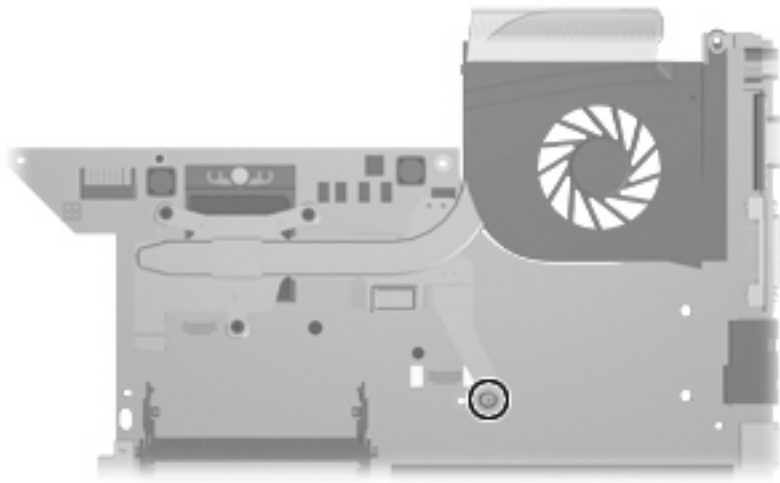


Where used: 3 screws that secure the fan/heat sink to the computer

Phillips 2.5×4.0 captive screw



| Color | Quantity | Length | Thread | Head width |
|--------|----------|--------|--------|------------|
| Silver | 1 | 4.0 mm | 2.5 mm | 5.0 mm |



Where used: One captive screw (secured by a C-clip) that secures the fan/heat sink assembly to the system board

8 Backup and Recovery

Recovering system information

Tools provided by the operating system and Recovery Manager software are designed to help you with the following tasks for safeguarding your information and restoring it in case of a system failure:

- Back up your information regularly to protect your important system files.
- Make a set of recovery discs (Recovery Manager software feature). Recovery discs are used to start up (boot) your computer and restore the operating system and software programs to factory settings in case of system failure or instability.
- Create system restore points (operating system feature). System restore points allow you to reverse undesirable changes to your computer by restoring the computer to an earlier state.
- Recover a program or driver (Recovery Manager software feature). This feature helps you reinstall a program or driver without performing a full system recovery.
- Perform a full system recovery (Recovery Manager software feature). With Recovery Manager, you can recover your full factory image if you experience system failure or instability. Recovery Manager works from a dedicated recovery partition on the hard drive or from recovery discs you create.

Backing up your information

When to back up

- On a regularly scheduled basis.

 **NOTE:** Set reminders to back up your information periodically.

- Before the computer is repaired or restored.
- Before you add or modify hardware or software.

Back up suggestions

- Create system restore points using the Windows System Restore feature.
- Store personal files in the Documents folder and back up these folders periodically.
- Back up templates stored in their associated programs.
- Save customized settings in a window, toolbar, or menu bar by taking a screen shot of your settings.


The screen shot can be a time saver if you have to reset your preferences.

To copy the screen and paste it into a word-processing document:

- a. Display the screen.
- b. Copy the screen:
 - To copy only the active window, press **alt+fn+prt sc**.
 - To copy the entire screen, press **fn+prt sc**.
- c. Open a word-processing document, and then select **Edit > Paste**.

Using system restore points


When you back up your system, you are creating a system restore point. A system restore point allows you to save and name a snapshot of your hard drive at a specific point in time. You can then recover back to that point if you want to reverse subsequent changes made to your system.

 **NOTE:** Recovering to an earlier restore point does not affect data files saved or e-mails created since the last restore point.

You also can create additional restore points to provide increased protection for your system files and settings.

When to create restore points

- Before you add or extensively modify software or hardware.
- Periodically, whenever the system is performing optimally.

 **NOTE:** If you revert to a restore point and then change your mind, you can reverse the restoration.

Create a system restore point

1. Select **Start > Control Panel > System and Maintenance > System**.
2. In the left pane, click **System protection**.
3. Click the **System Protection** tab.
4. Under Automatic restore points, select the disk for which you want to create a restore point.
5. Click **Create**.

The System Protection window opens.
6. Follow the on-screen instructions.

Restore to a previous date and time

To revert to a restore point (created at a previous date and time), when the computer was functioning optimally, follow these steps:


1. Select **Start > Control Panel > System and Maintenance > System**.
2. In the left pane, click **System protection**.
3. Click the **System Protection** tab.
4. Click the **System Restore** button, and then click **Next**.

The System Restore window opens.

5. Follow the on-screen instructions.


Creating recovery discs

Recovery Manager creates a set of recovery CDs or DVDs for the computer. Use recovery discs to restore the operating system and software programs to factory settings, in case of system failure or instability.

 **NOTE:** Handle these discs carefully and keep them in a safe place. The software allows the creation of only one set of recovery discs.

Note the following guidelines before creating recovery discs:

- You will need high quality CD-R, DVD-R, or DVD+R discs (purchased separately).

 **NOTE:** Formatted DVD±RW discs and DVD±RW double-layer discs are not compatible with the Recovery Manager software.


- The computer must be connected to AC power during this process.
- Only one set of recovery discs can be created per computer.
- Number each disc before inserting it into the computer optical drive.
- If necessary, you can exit the program before you have finished creating the recovery discs. The next time you open Recovery Manager, you will be prompted to continue the disc creation process.

To create a set of recovery discs:

1. Select **Start > All Programs > Recovery Manager > Recovery Manager**.

Recovery Manager opens.


2. Click **Advanced Options**.

 **NOTE:** If you are operating the computer on battery power, you will be prompted to connect to AC power before you can go to the next step.

3. Click **Recovery disc creation**, and then click **Next**.
4. Follow the on-screen instructions.

Reinstalling software programs and drivers

If a program or driver preinstalled at the factory is accidentally erased or is damaged, Recovery Manager allows you to reinstall it.

 **NOTE:** Software not provided with this computer must be reinstalled from the disc provided by the manufacturer or downloaded from the manufacturer's Web site.


NOTE: Before reinstalling the program, be sure it is fully uninstalled.

Recovery Manager replaces corrupted system files and reinstalls deleted system files within the program.

- In most cases, if the program you are reinstalling is still on your computer, the reinstallation process does not affect your personal settings.
- In all cases, if a program has been deleted from your computer, the reinstallation process reinstalls the program or utility to the factory image but cannot restore your personal settings.

Reinstalling preinstalled programs and drivers

1. Remove the program or driver:

 **NOTE:** In some cases, drivers are not listed in the Programs and Features list. If the driver is not listed, it does not need to be removed.


- a. Select **Start > Control Panel > Programs > Uninstall a program**.
 - b. Right-click the program or driver you want to remove, and then click **Uninstall**.
2. Reinstall the program or driver:
 - a. Select **Start > All Programs > Recovery Manager > Recovery Manager**.
Recovery Manager opens.
 - b. Click **Advanced Options**.
 - c. Click either **Software program re-installation** or **Hardware driver re-installation**, and then click **Next**.
 - d. Follow the on-screen instructions.
 - e. Restart the computer if prompted.

Reinstalling programs from discs

1. Insert the disc into the optical drive.
2. When the installation wizard opens, follow the installation instructions on the screen.
3. Restart the computer if prompted.

Performing a recovery

Recovery Manager software allows you to repair or restore the system if you experience system failure or instability. Recovery Manager works from recovery discs that you create or from a dedicated recovery partition on the hard drive.

 **NOTE:** Windows has its own built-in repair features, such as System Restore and driver rollback capabilities. If you have not already tried these features, try them before using Recovery Manager.

NOTE: Recovery Manager only recovers software that was preinstalled at the factory. Software not provided with this computer must be reinstalled from the disc provided by the manufacturer or downloaded from the manufacturer's Web site.

Recovering from the recovery discs

To restore the system from the recovery discs:

1. Back up all personal files.
2. Insert the first recovery disc into the optical drive and restart the computer.
3. Follow the on-screen instructions.

Recovering from the partition on the hard drive

You can perform a recovery from the partition on the hard drive from either the Start button or **f11**.

To restore the system from the partition, follow these steps:

1. Access Recovery Manager in either of the following ways:
 - Select **Start > All Programs > Recovery Manager > Recovery Manager**.
 - Restart the computer and press **f11** while the "Press <F11> for recovery" message is displayed on the screen. Then select **Recovery Manager**.

Recovery Manager opens.

2. Click **Advanced Options**.
3. Click **System recovery**, and then click **Next**.
4. Follow the on-screen instructions.

Deleting the recovery partition on the hard drive

The Recovery Manager Advanced Options menu provides the option of deleting the recovery partition, which will increase space on the hard drive. Delete the recovery partition only if you have already created recovery discs.

△ **CAUTION:** After you create the recovery discs, you can increase space on the hard drive by deleting the recovery partition. However, doing this is not recommended. If you delete this partition, you will lose any information that is on the partition, including Recovery Manager software. Thereafter, you must use the recovery discs to access Recovery Manager software.

To delete the recovery partition:

1. If you have not already created recovery discs, create them now.
2. Select **Start > All Programs > Recovery Manager > Recovery Manager**.
Recovery Manager opens.
3. Click **Advanced Options**.
4. Click **Remove recovery partition**, and then click **Next**.
5. Follow the on-screen instructions.

Updating reinstalled software

After you perform a system recovery, connect to the Internet to update all reinstalled software.

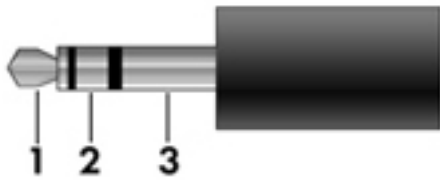
To access update links for the operating system and other software provided on your computer:

- ▲ Select **Start > Help and Support**.

To update optional software, follow the instructions provided by the software manufacturer. Some programs include an update feature you can access from a Help button or menu within the program.

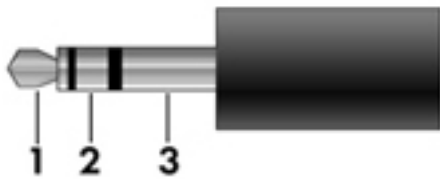
9 Connector pin assignments

Audio-in (microphone)



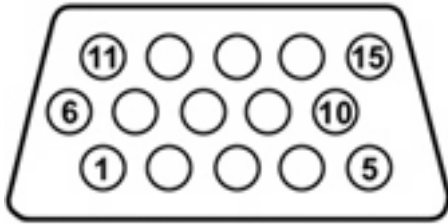
| Pin | Signal |
|-----|-----------------|
| 1 | Audio signal in |
| 2 | Audio signal in |
| 3 | Ground |

Audio-out (headphone)



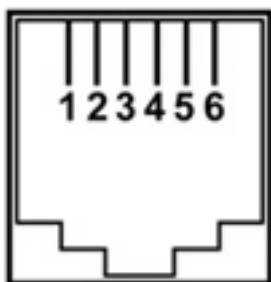
| Pin | Signal |
|-----|--------------------------|
| 1 | Audio out, left channel |
| 2 | Audio out, right channel |
| 3 | Ground |

External monitor



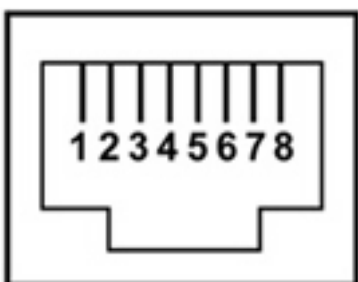
| Pin | Signal |
|-----|-----------------|
| 1 | Red analog |
| 2 | Green analog |
| 3 | Blue analog |
| 4 | Not connected |
| 5 | Ground |
| 6 | Ground analog |
| 7 | Ground analog |
| 8 | Ground analog |
| 9 | +5 VDC |
| 10 | Ground |
| 11 | Monitor detect |
| 12 | DDC 2B data |
| 13 | Horizontal sync |
| 14 | Vertical sync |
| 15 | DDC 2B clock |

RJ-11 (modem)



| Pin | Signal |
|-----|--------|
| 1 | Unused |
| 2 | Tip |
| 3 | Ring |
| 4 | Unused |
| 5 | Unused |
| 6 | Unused |

RJ-45 (network)



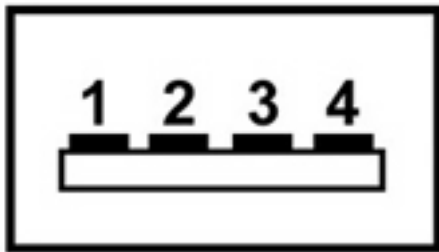
| Pin | Signal |
|-----|------------|
| 1 | Transmit + |
| 2 | Transmit - |
| 3 | Receive + |
| 4 | Unused |
| 5 | Unused |
| 6 | Receive - |
| 7 | Unused |
| 8 | Unused |

S-Video-out



| Pin | Signal |
|-----|----------------------------|
| 1 | S-VHS color (C) signal |
| 2 | Composite video signal |
| 3 | S-VHS intensity (Y) signal |
| 4 | S-VHS color ground |
| 5 | TV-CD |
| 6 | S-VHS intensity ground |
| 7 | Composite video ground |

Universal Serial Bus



| Pin | Signal |
|-----|--------|
| 1 | +5 VDC |
| 2 | Data - |
| 3 | Data + |
| 4 | Ground |

10 Power cord set requirements

The wide range input feature of the computer permits it to operate from any line voltage from 100 to 120 volts AC or from 220 to 240 volts AC.

The 3-conductor power cord set included with the computer meets the requirements for use in the country or region where the equipment is purchased.

Power cord sets for use in other countries or regions must meet the requirements of the country or region where the computer is used.

Requirements for all countries or regions

The requirements listed below are applicable to all countries or regions:

- The length of the power cord set must be at least 1.5 m (5.0 ft) and no more than 2.0 m (6.5 ft).
- All power cord sets must be approved by an acceptable accredited agency responsible for evaluation in the country or region where the power cord set will be used.
- The power cord sets must have a minimum current capacity of 10 amps and a nominal voltage rating of 125 or 250 V AC, as required by each country or region's power system.
- The appliance coupler must meet the mechanical configuration of an EN 60 320/IEC 320 Standard Sheet C13 connector for mating with the appliance inlet on the back of the computer.

Requirements for specific countries or regions

| Country/region | Accredited agency | Applicable note number |
|--------------------------------|-------------------|------------------------|
| Australia | EANSW | 1 |
| Austria | OVE | 1 |
| Belgium | CEBC | 1 |
| Canada | CSA | 2 |
| Denmark | DEMKO | 1 |
| Finland | FIMKO | 1 |
| France | UTE | 1 |
| Germany | VDE | 1 |
| Italy | IMQ | 1 |
| Japan | METI | 3 |
| South Korea | EK | 4 |
| The Netherlands | KEMA | 1 |
| Norway | NEMKO | 1 |
| The People's Republic of China | CCC | 5 |
| Sweden | SEMKO | 1 |
| Switzerland | SEV | 1 |
| Taiwan | BSMI | 4 |
| The United Kingdom | BSI | 1 |
| The United States | UL | 2 |

1. The flexible cord must be Type HO5VV-F, 3-conductor, 1.0-mm² conductor size. Power cord set fittings (appliance coupler and wall plug) must bear the certification mark of the agency responsible for evaluation in the country or region where it will be used.
2. The flexible cord must be Type SPT-3 or equivalent, No. 18 AWG, 3-conductor. The wall plug must be a two-pole grounding type with a NEMA 5-15P (15 A, 125 V) or NEMA 6-15P (15 A, 250 V) configuration.
3. The appliance coupler, flexible cord, and wall plug must bear a "T" mark and registration number in accordance with the Japanese Dentori Law. The flexible cord must be Type VCT or VCTF, 3-conductor, 1.00-mm² conductor size. The wall plug must be a two-pole grounding type with a Japanese Industrial Standard C8303 (7 A, 125 V) configuration.
4. The flexible cord must be Type RVV, 3-conductor, 0.75-mm² conductor size. Power cord set fittings (appliance coupler and wall plug) must bear the certification mark of the agency responsible for evaluation in the country or region where it will be used.
5. The flexible cord must be Type VCTF, 3-conductor, 0.75-mm² conductor size. Power cord set fittings (appliance coupler and wall plug) must bear the certification mark of the agency responsible for evaluation in the country or region where it will be used.

11 Recycling

Battery

When a battery has reached the end of its useful life, do not dispose of the battery in general household waste. Follow the local laws and regulations in your area for computer battery disposal.

Display

- ⚠ **WARNING!** The backlight contains mercury. Caution must be exercised when removing and handling the backlight to avoid damaging this component and causing exposure to the mercury.
- ⚠ **CAUTION:** The procedures in this appendix can result in damage to display components. The only components intended for recycling purposes are the liquid crystal display (LCD) panel and the backlight. Careful handling must be exercised when removing these components.
- 📄 **NOTE: Materials Disposal.** This HP product contains mercury in the backlight in the display assembly that might require special handling at end-of-life. Disposal of mercury may be regulated because of environmental considerations. For disposal or recycling information, contact your local authorities, or see the Electronic Industries Alliance (EIA) Web site at <http://www.eiae.org>.

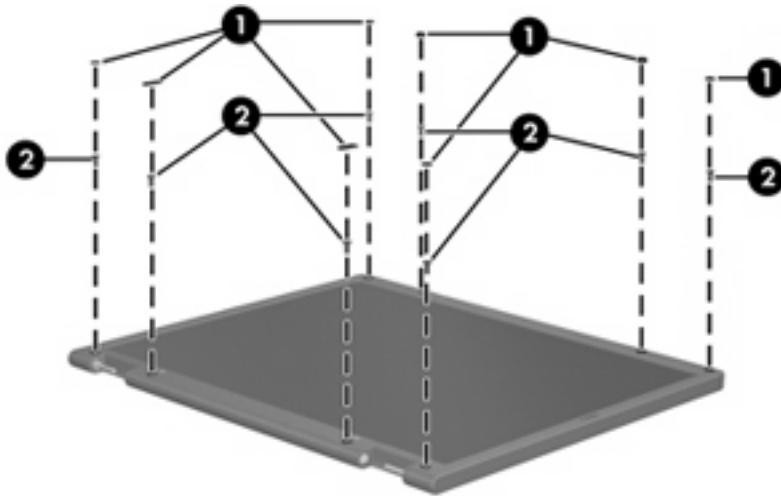
This section provides disassembly instructions for the display assembly. The display assembly must be disassembled to gain access to the backlight **(1)** and the liquid crystal display (LCD) panel **(2)**.



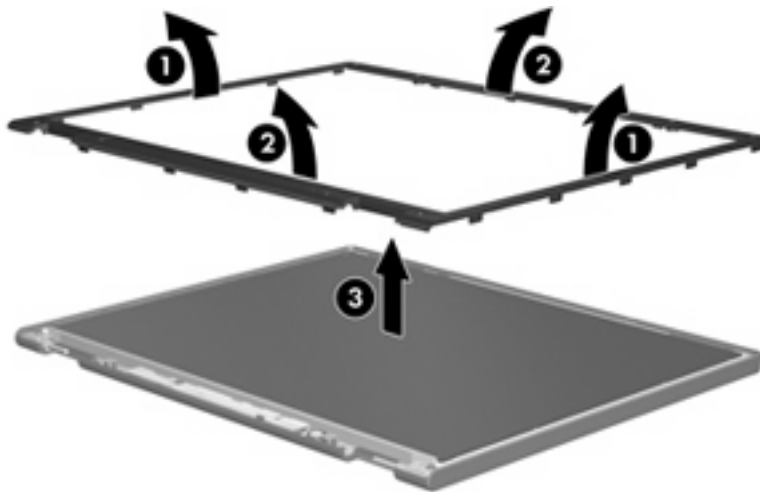
- 📄 **NOTE:** The procedures provided in this appendix are general disassembly instructions. Specific details, such as screw sizes, quantities, and locations, and component shapes and sizes, can vary from one computer model to another.

Perform the following steps to disassemble the display assembly:

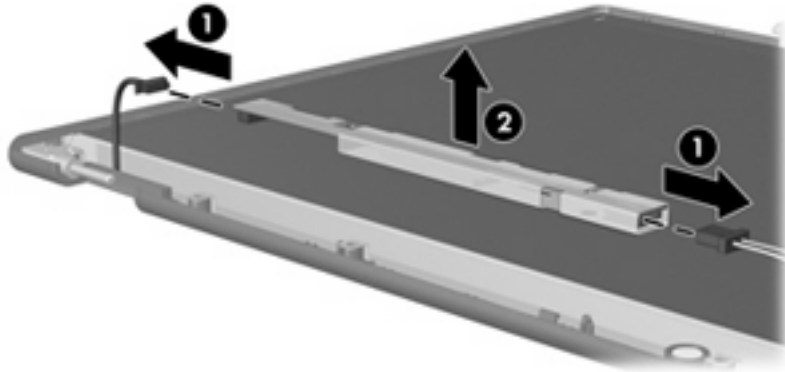
1. Remove all screw covers **(1)** and screws **(2)** that secure the display bezel to the display assembly.



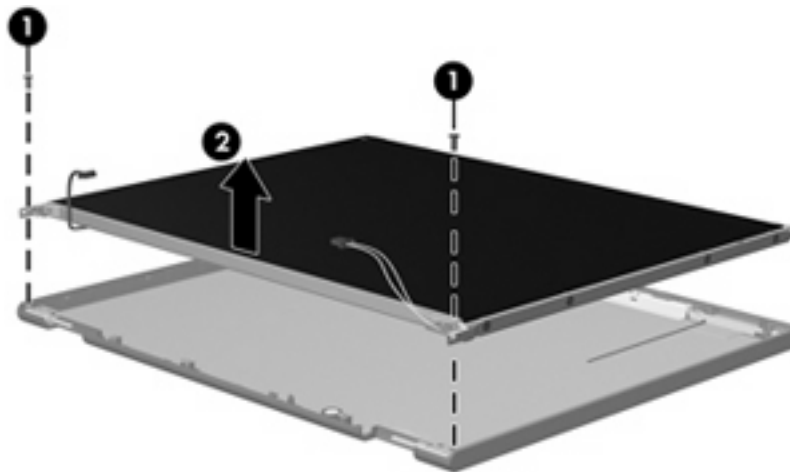
2. Lift up and out on the left and right inside edges **(1)** and the top and bottom inside edges **(2)** of the display bezel until the bezel disengages from the display assembly.
3. Remove the display bezel **(3)**.



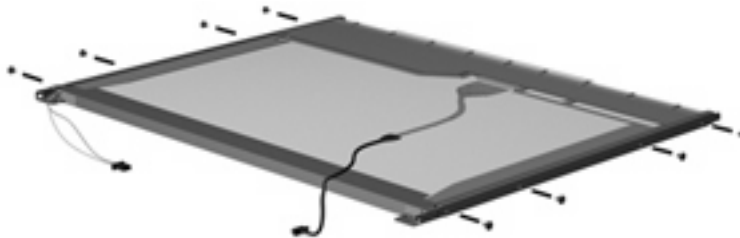
4. Disconnect all display panel cables **(1)** from the display inverter and remove the inverter **(2)**.



5. Remove all screws **(1)** that secure the display panel assembly to the display enclosure.
6. Remove the display panel assembly **(2)** from the display enclosure.

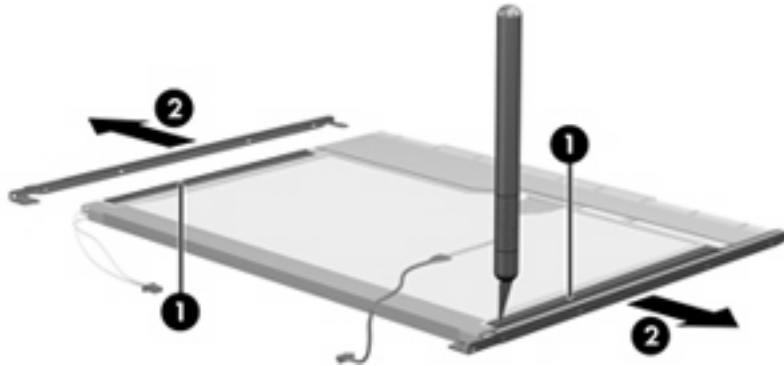


7. Turn the display panel assembly upside down.
8. Remove all screws that secure the display panel frame to the display panel.

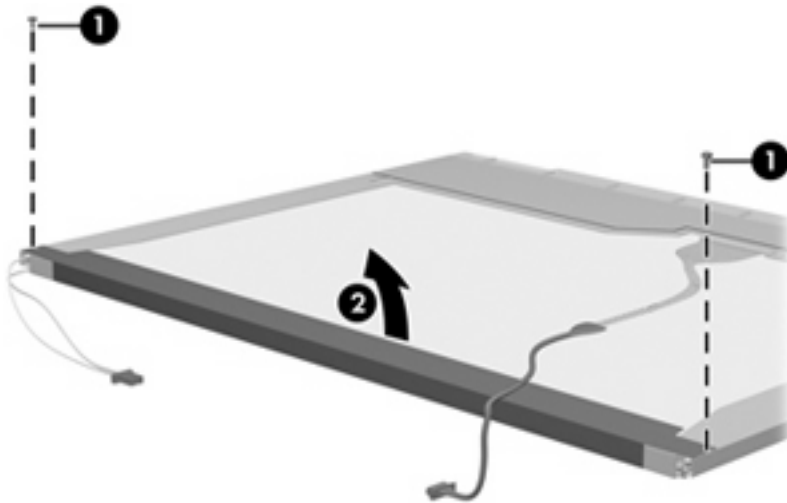


9. Use a sharp-edged tool to cut the tape **(1)** that secures the sides of the display panel to the display panel frame.

10. Remove the display panel frame **(2)** from the display panel.

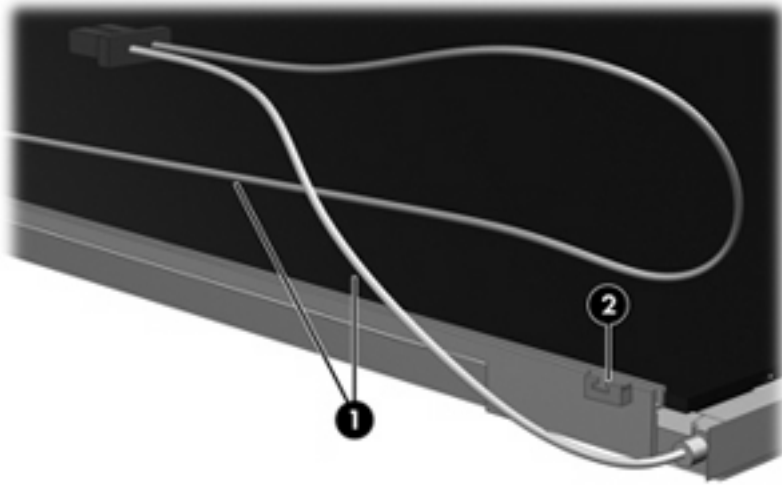


11. Remove the screws **(1)** that secure the backlight cover to the display panel.
12. Lift the top edge of the backlight cover **(2)** and swing it outward.

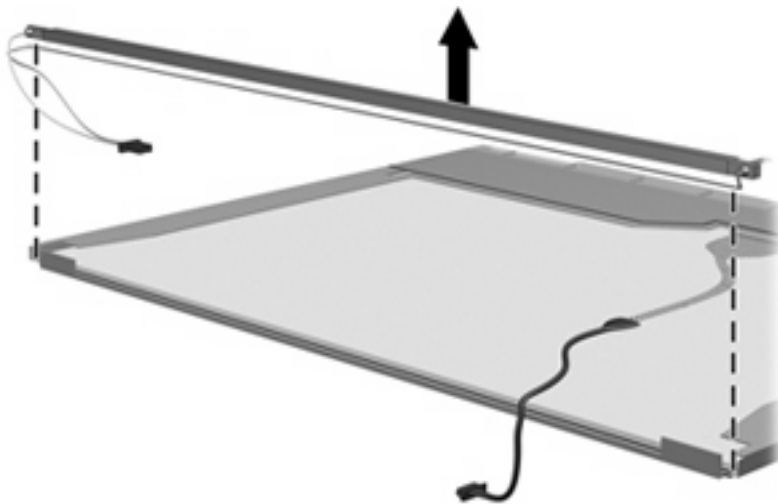


13. Remove the backlight cover.
14. Turn the display panel right-side up.

15. Remove the backlight cables **(1)** from the clip **(2)** in the display panel.

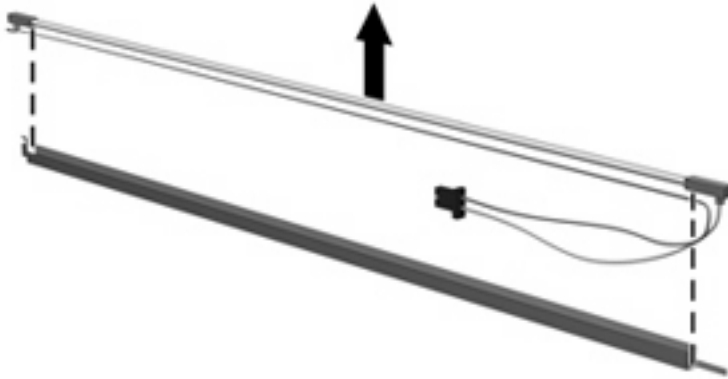


16. Turn the display panel upside down.
17. Remove the backlight frame from the display panel.

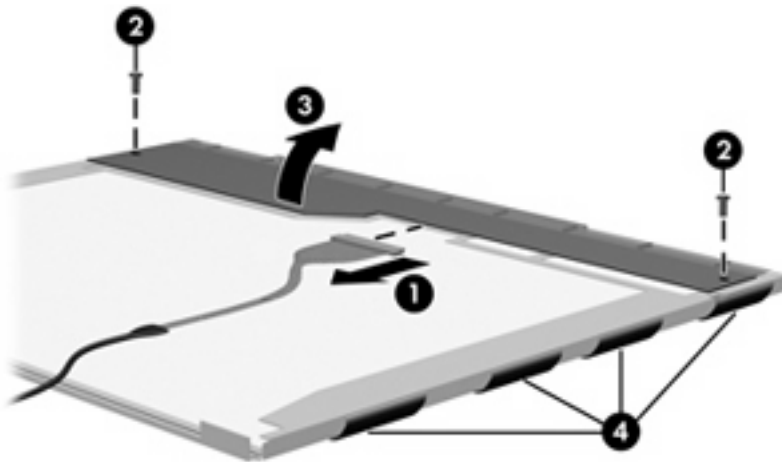


⚠ WARNING! The backlight contains mercury. Exercise caution when removing and handling the backlight to avoid damaging this component and causing exposure to the mercury.

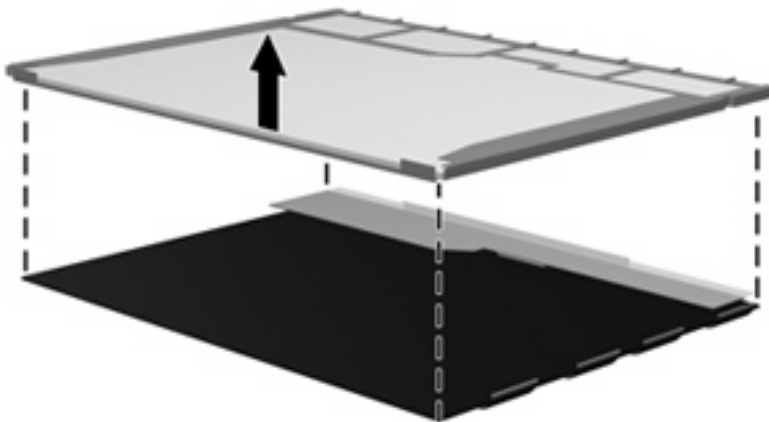
18. Remove the backlight from the backlight frame.



19. Disconnect the display cable (1) from the LCD panel.
20. Remove the screws (2) that secure the LCD panel to the display rear panel.
21. Release the LCD panel (3) from the display rear panel.
22. Release the tape (4) that secures the LCD panel to the display rear panel.



23. Remove the LCD panel.



24. Recycle the LCD panel and backlight.

Index

Symbols/Numerics

1394 port, location 14

A

AC adapter, spare part numbers 30, 32, 38

administrator password 95

advanced Setup Utility features 94

antenna

removal 72

spare part numbers 26, 32, 36, 72

applications key, Windows 9

audio board

removal 86

spare part number 22, 36, 37, 86

audio board cable, illustrated 28

audio, product description 4

audio-in jack

location 13

pin assignments 135

audio-out jack

location 13

pin assignments 135

audio-out S/PDIF jack,

location 13

B

backpack, spare part number 30, 32

backup 129

base enclosure, spare part numbers 22, 36, 38

battery

removal 46

spare part numbers 23, 35, 37, 46

battery bay 16

battery light 8, 13

battery release latch 16

bezel

illustrated 25

spare part numbers 25, 71

Bluetooth module

removal 78

spare part number 22, 32, 78

Bluetooth module cable,

illustrated 28

boot options 95

boot order 95

bottom components 16

button sound 95

buttons

DVD 10

media 10

next/fast forward 11

play/pause 11

power 10

previous/rewind 10

stop 11

volume mute 11

C

Cable Kit

contents 28

spare part number 25, 28, 36, 37

cables, service considerations 40

camera

location 7

product description 4

camera cable

removal 73

spare part number 73

camera light 7

camera module

illustrated 25

removal 47

spare part number 26, 35, 47

caps lock light 8

carrying case, spare part number 30, 32

changing the Setup Utility language 92

chipset, product description 2

closing the Setup Utility 94

CMOS clearing 44

components

bottom 16

display 7

front 13

keyboard 9

left-side 14

lights 8

rear 15

right-side 15

top 8

TouchPad 12

composite video cable, spare part number 30, 32

computer feet

locations 53

spare part number 23, 53

computer specifications 96

connector pin assignments

audio-in 135

audio-out 135

external monitor 136

headphone 135

microphone 135

modem 137

monitor 136

network 137

RJ-11 137

RJ-45 137

- S-Video-out 138
- Universal Serial Bus (USB) 138
- connectors, service considerations 40

D

- Diagnostics menu 95
- Digital Media Slot 14
- Digital Media Slot light 14
- diskette drive
 - precautions 40
 - product description 4
- display assembly
 - removal 68
 - spare part numbers 18, 35, 68
- display bezel
 - illustrated 25
 - release 47, 49
 - spare part numbers 25, 32, 33, 35, 71
- Display Cable Kit, spare part number 26, 32
- display components
 - illustrated 25
 - recycling 141
 - spare part numbers 25
- display enclosure
 - illustrated 25
 - spare part numbers 26, 33, 35
- display hinge
 - removal 71
 - spare part number 72
- display hinge cover
 - removal 71
 - spare part number 71
- Display Hinge Cover Kit, spare part number 32
- Display Hinge Kit, spare part number 26, 32
- display inverter
 - illustrated 25
 - removal 49, 50
 - spare part number 26, 32, 49
- Display Label Kit, spare part number 26, 36, 37
- display panel
 - illustrated 25

- product description 3
- removal 71
- spare part number 26, 71
- spare part numbers 35
- Display Screw Kit, spare part number 26, 32
- display specifications 97
- display switch 7
- docking support, product description 5
- drive light 8, 13
- drivers, reinstalling 132
- drives
 - boot order 95
 - preventing damage 40
- DVB-T antenna adapter, spare part number 30, 32
- DVB-T tuner, spare part number 30, 32
- DVD button 10
- DVD/CD-RW Combo Drive
 - precautions 40
 - removal 59
 - spare part number 25, 29, 35, 59
 - specifications 99
- DVD±RW and CD-RW Combo Drive
 - precautions 40
 - removal 59
 - spare part numbers 25, 29, 35, 36, 59
 - specifications 99
- DVD±RW and DVD-ROM Super Multi Drive with LightScribe
 - spare part number 59

E

- electrostatic discharge 41
- enhanced SATA support 95
- esc key 9
- Ethernet, product description 4
- expansion port 3 14
- ExpressCard assembly
 - removal 79
 - spare part number 21, 32, 79
- ExpressCard Kit, spare part number 30, 35
- ExpressCard slot 15

- ExpressCard slot bezel
 - illustrated 27
 - removal 80
- external media cards, product description 5
- external monitor port
 - location 14
 - pin assignments 136

F

- fan/heat sink assembly
 - removal 87
 - spare part numbers 21, 33, 36, 37, 87
- feet
 - locations 53
 - spare part number 23, 53
- fingerprint reader 11, 92
- fingerprint reader board, spare part number 20, 21, 36, 74
- fn key 9
- front components 13
- function keys 9

G

- graphics, product description 2
- grounding equipment and methods 43

H

- hard drive
 - precautions 40
 - product description 3
 - removal 51
 - spare part numbers 23, 29, 35, 37, 38, 51
 - specifications 98
- hard drive bay 16
- hard drive cover
 - illustrated 27
 - removal 51
- hard drive self test 95
- HD-ROM Combo Drive
 - spare part number 25, 29, 36, 59
- HD-ROM Drive
 - removal 59
 - spare part number 25, 29, 35, 59
- HDMI port 14

- headphone jack
 - location 13
 - pin assignments 135
- headset, spare part number 30, 31
- hinge
 - removal 71
 - spare part number 26, 32, 72
- hinge cover
 - removal 71
 - spare part number 26, 71

I

- I/O address specifications 105, 107
- infrared emitter, spare part number 30, 33
- infrared lens 13
- interrupt specifications 102, 103, 104
- inverter
 - illustrated 25
 - removal 49, 50
 - spare part number 26, 32, 49

J

- jacks
 - audio-in 13
 - audio-out 13
 - audio-out S/PDIF 13
 - headphone 13
 - microphone 13
 - modem 14
 - network 14
 - RJ-11 14
 - RJ-45 14
 - S-Video-out jack 14

K

- keyboard
 - product description 5
 - removal 65
 - spare part numbers 19, 34, 38, 65
- keyboard components 9
- keypad keys 9
- keys
 - embedded numeric keypad 9
 - esc 9

- fn 9
- function 9
- Windows applications 9
- Windows logo 9

L

- language support 92, 95
- LED board cable, illustrated 28
- left-side components 14
- light components 8
- lights
 - battery 8, 13
 - caps lock 8
 - drive 8, 13
 - num lock 8
 - optical drive 15
 - power 8, 13
 - volume down 8
 - volume mute 8
 - volume up 8
 - wireless 13

M

- main menu 94
- mass storage devices, spare part numbers 29
- media button 10
- memory map specifications, AMD discrete 110
- memory map specifications, AMD UMA 111
- memory map specifications, Intel 109
- memory module
 - product description 3
 - removal 53
 - spare part numbers 24, 35, 38, 53
 - spare parts 38
- memory/WLAN module compartment 16
- memory/WLAN module compartment cover
 - illustrated 27
 - removal 54
- microphone
 - location 7
 - product description 4

- removal 72
- spare part number 26, 32, 73
- microphone jack
 - location 13
 - pin assignments 135
- model name 1
- modem jack
 - location 14
 - pin assignments 137
- modem module
 - product description 4
- monitor port
 - location 14
 - pin assignments 136
- mouse, spare part numbers 30, 32, 33

N

- navigating in the Setup Utility 93
- network jack
 - location 14
 - pin assignments 137
- next/fast forward button 11
- num lock light 8

O

- operating system, product description 6
- optical drive
 - location 15
 - precautions 40
 - product description 3
 - removal 59
 - spare part numbers 25, 29, 59
 - specifications 99
- optical drive light 15

P

- packing guidelines 42
- password clearing 44
- passwords 95
- plastic parts 39
- Plastics Kit
 - contents 27
 - spare part number 21, 27, 33
- play/pause button 11

- pointing device
 - components 12
 - product description 5
- ports
 - 1394 14
 - external monitor port 14
 - HDMI 14
 - monitor port 14
 - product description 5
 - Universal Serial Bus (USB) 14, 15
- power button 10
- power button board
 - removal 64
 - spare part number 19, 32, 64
- power button board cable, illustrated 28
- power connector 15
- power cord
 - set requirements 139
 - spare part numbers 30
- power cord, spare part numbers 31
- power light 8, 13
- power requirements, product description 5
- power-on password 95
- previous/rewind button 10
- processor
 - product description 1
 - removal 89
 - spare part numbers 21, 35, 36, 37, 38, 89
- processor bracket
 - spare part number 22
- processor bracket, spare part number 37, 90
- product description
 - audio 4
 - camera 4
 - chipset 2
 - diskette drive 4
 - display panel 3
 - docking support 5
 - Ethernet 4
 - external media cards 5
 - graphics 2
 - hard drives 3
 - keyboard 5
 - memory module 3
 - microphone 4
 - modem module 4
 - operating system 6
 - optical drives 3
 - pointing devices 5
 - ports 5
 - power requirements 5
 - processors 1
 - product name 1
 - security 5
 - serviceability 6
 - wireless 4
- product name 1
- R**
- rear component 15
- recovery discs 131
- recovery partition, deleting 134
- recovery, system 133
- remote control, spare part numbers 30, 33
- removal/replacement preliminaries 39
- procedures 45
- restore points 130
- RF input adapter cable, spare part number 30, 32
- right-side components 15
- RJ-11 jack
 - location 14
 - pin assignments 137
- RJ-45 jack
 - location 14
 - pin assignments 137
- RTC battery
 - removal 55
 - spare part number 24, 36, 55
 - spare part numbers 36
- Rubber Kit, spare part number 23, 32, 53
- S**
- S-Video-out jack
 - location 14
 - pin assignments 138
- Screw Kit
 - contents 112
 - spare part number 31, 32
- screw listing 112
- secondary hard drive self test 95
- security cable slot 14
- Security menu 95
- security, product description 5
- selecting in the Setup Utility 93
- serial number 17, 45
- service considerations 39
- serviceability, product description 6
- Setup Utility
 - changing the language 92
 - Diagnostics menu 95
 - displaying system information 93
 - Main menu 94
 - navigating 93
 - overview 92
 - Security menu 95
 - selecting 93
 - starting 92
 - System Configuration menu 95
 - using advanced features 94
- software
 - reinstalling 132
 - updating 134
- speaker assembly
 - removal 63
 - spare part number 21, 32, 63
- speakers 10
- specifications
 - computer 96
 - display 97
 - DVD/CD-RW Combo Drive 99
 - DVD±RW and CD-RW Combo Drive 99
 - hard drive 98
 - I/O addresses, AMD 107
 - I/O addresses, Intel 105
 - interrupts, AMD discrete 103
 - interrupts, AMD UMA 104
 - interrupts, Intel 102
 - memory map, AMD discrete 110
 - memory map, AMD UMA 111
 - memory map, Intel 109
 - optical drive 99
 - system DMA, AMD 101
 - system DMA, Intel 100

- static-shielding materials 43
- stop button 11
- switch cover
 - removal 61
 - spare part number 19, 36, 61
- system board
 - removal 82
 - spare part numbers 22, 35, 36, 82
- System Configuration menu 95
- system DMA 100, 101
- system information 93, 94
- system memory map, AMD discrete 110
- system memory map, AMD UMA 111
- system memory map, Intel 109

T

- thermal material, replacement 89
- tools required 39
- top components 8
- top cover
 - removal 74
 - spare part numbers 20, 36, 37, 38, 74
- top cover trim
 - removal 77
 - spare part number 21, 32, 77
- TouchPad 12
- TouchPad buttons 12
- TouchPad light 12
- TouchPad on/off button 12
- TouchPad scroll zone 12
- transporting guidelines 42
- TV tuner antenna, spare part number 30, 33
- TV tuner, spare part number 30, 33

U

- Universal Serial Bus (USB) port
 - locations 14, 15
 - pin assignments 138
- unknown password 44
- USB digital drive, spare part number 30, 31

- USB/power connector board
 - removal 81
 - spare part number 81
 - spare part numbers 22, 36
- USB/power connector board cable
 - illustrated 28
 - removal 84

V

- vents 15, 16
- video memory 95
- volume down light 8
- volume mute button 11
- volume mute light 8
- volume scroll zone 11
- volume up light 8

W

- Windows applications key 9
- Windows logo key 9
- wireless antenna
 - removal 72
 - spare part numbers 26, 32, 36, 72
- Wireless Antenna Kit, spare part numbers 26, 32, 36, 72
- wireless light 13
- wireless switch 13
- wireless, product description 4
- WLAN module
 - removal 56
 - spare part numbers 23, 32, 33, 37, 56
- workstation guidelines 42

